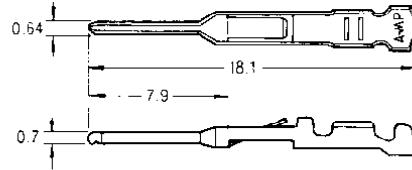


Plug Connectors (Wire Applied)

Standard Type Pin Contacts

Material:
Pre-Tin Brass
Pre-Tin Phosphor Bronze or
Phosphor Bronze

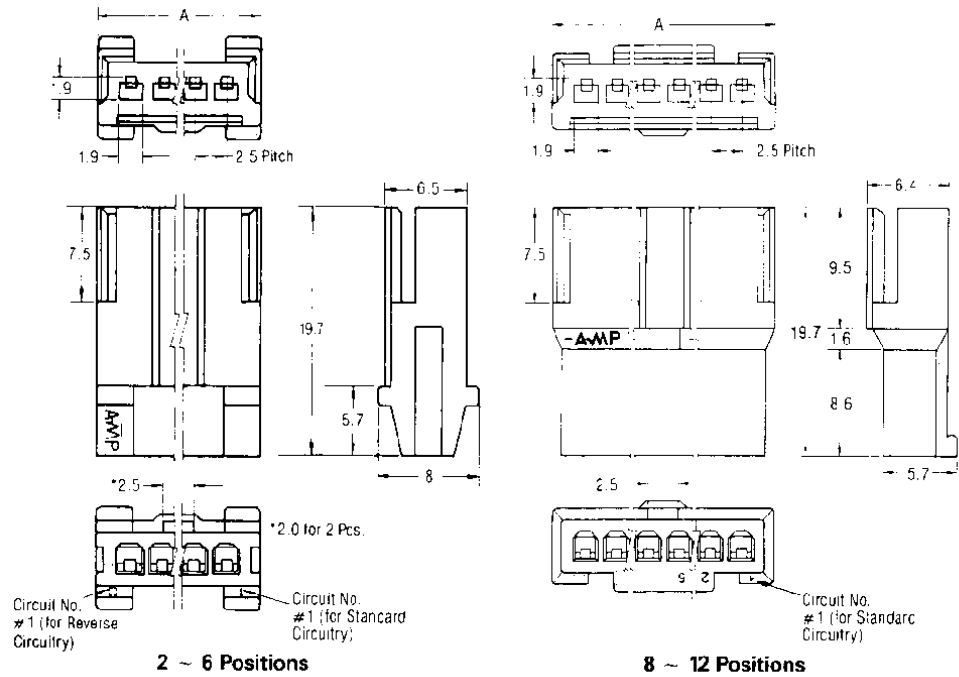
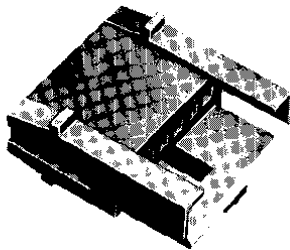


Wire Size		Wire Ins. Dia.	Contact Part No.					
AWG	mm ²		Brass/Pre-Tin		Phos. Brz./Pre-Tin		Phos. Brz./Gold over Nickel*	
			S.T.	L.P.	S.T.	L.P.	S.T.	L.P.
30-26	0.05 ~ 0.15	1.0 ~ 1.4	170377-1	170430-1	170377-2	170430-2	170377-3	170430-3
26-20	0.14 ~ 0.52	1.1 ~ 1.9	170376-1	170429-1	170376-2	170429-2	170376-3	170429-3

*Phosphor Bronze, 0.38µm min. Gold on mating end with Nickel under plated.
Hand Tool No.: 724687-1 (for AWG#30-26), 755333-1 (IS-365J) (for AWG#26-20)
Extraction Tool No.: 724762-1

Free Hanging Style Plug Housings (2.5mm)

Material:
UL 94V-0 rated, 6/8 nylon
See chart for color.



No. of Pos.	Dimensions A	Part No. of Cap Housing					
		For Standard Circuitry			For Reverse Circuitry		
		Natural*	Black	Blue	Natural*	Black	Blue
2	7.9	172211-2	2-172211-2	4-172211-2	172212-2	2-172212-2	4-172212-2
3	10.4	172211-3	2-172211-3	4-172211-3	172212-3	2-172212-3	4-172212-3
4	12.9	172211-4	2-172211-4	4-172211-4	172212-4	2-172212-4	4-172212-4
5	15.4	172211-5	2-172211-5	4-172211-5	172212-5	2-172212-5	4-172212-5
6	17.9	172211-6	2-172211-6	4-172211-6	172212-6	2-172212-6	4-172212-6
8	22.7	172211-8	2-172211-8	-	-	-	-
10	27.7	1-172211-0	-	-	-	-	-
12	32.7	1-172211-2	-	-	-	-	-

*Natural is the standard and will be stocked. Other colors, minimums may apply.
Note: Cap housing for standard circuitry P/N 172211 mates with receptacle housing for standard circuitry P/N 171822
Cap housing for reverse circuitry P/N 172212 mates with receptacle housing for reverse circuitry P/N 171880