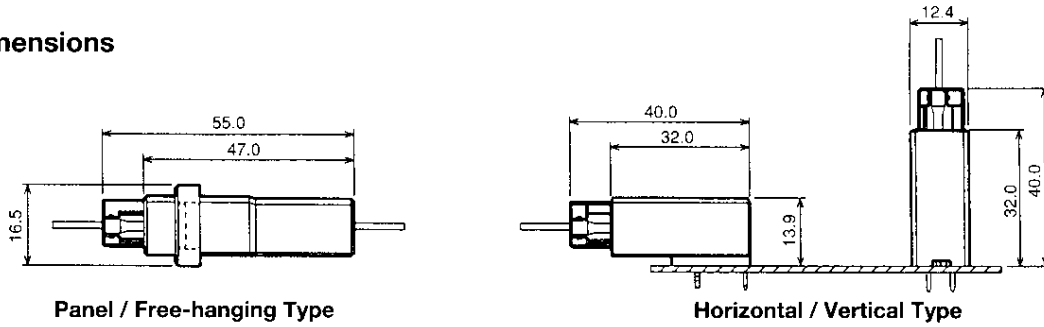


Wire to Board Connectors

Dynamic Series Connectors/D-5200 Series

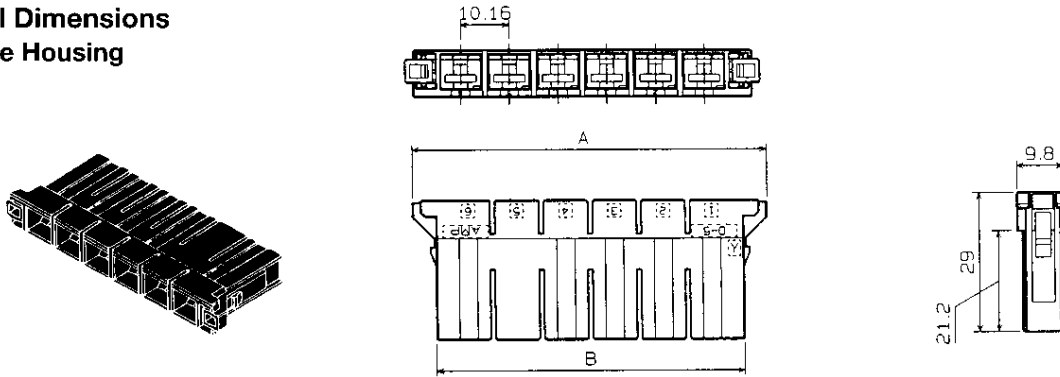
D-5200S — Standard 1-row Type

Mating Dimensions



External Dimensions

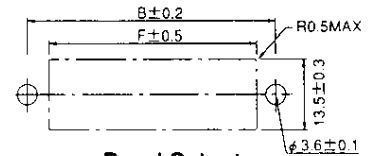
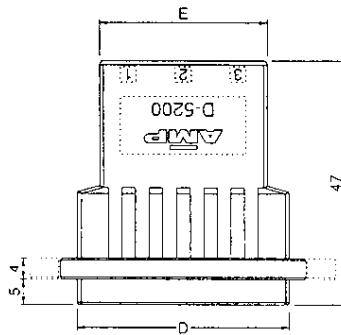
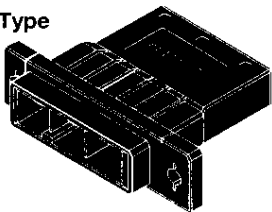
Receptacle Housing



No. of Position	Part Number of Receptacle Housing	Dimensions	
		A	B
2	□-179958-2	35.76	23.76
3	□-179958-3	45.92	33.92
4	□-179958-4	53.68	44.08
5	—	—	—
6	□-179958-6	74.00	64.40

Tab Housing

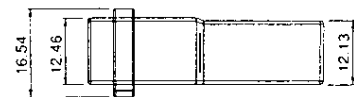
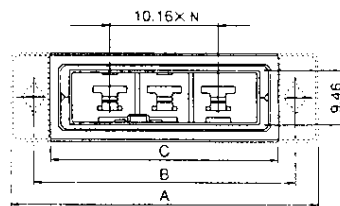
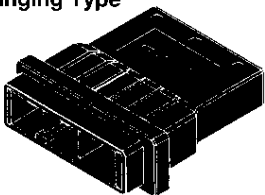
Panel Type



Panel Cutout

When mounting panel from the front, apply clamping torque of less than 49N.

Free-hanging Type



No. of Pos.	Part Number of Tab Housing		Dimensions					
	Panel Type	Free-hanging Type	A	B	C	D	E	F
2	□-353047-2	□-353046-2	47	38	33.44	29.36	21.11	30.40
3	□-353047-3	□-353046-3	57	48	43.60	39.52	31.27	40.50