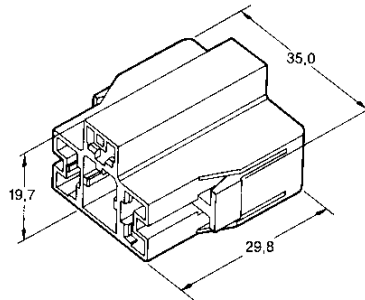
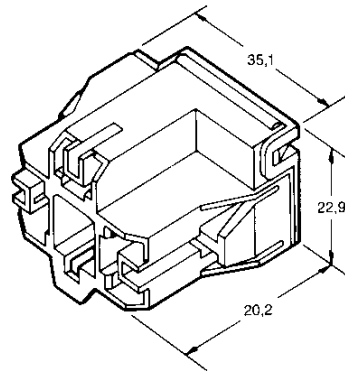
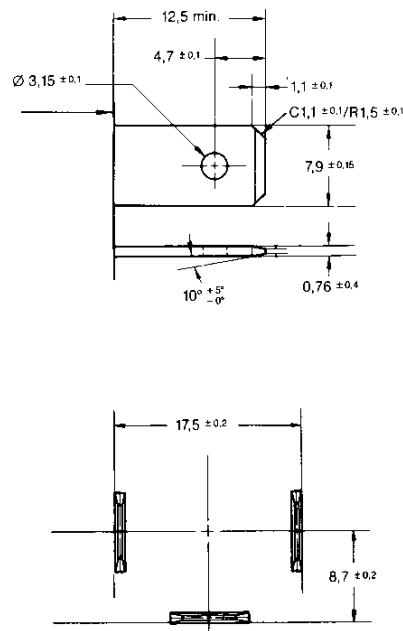


**Buchsengehäuse,  
3polig****Material:**  
66 Nylon**Buchsengehäuse**Best.-Nr. **172236-1** (natur)  
Best.-Nr. **172236-2** (schwarz)  
Best.-Nr. **172236-3** (braun)  
Best.-Nr. **172236-5** (blau)**Einsetzbarer Kontakt**Best.-Nr. **170381-1** (3 x)**Buchsengehäuse  
(Fahnausführung)**Best.-Nr. **172615-1** (natur)  
Best.-Nr. **172615-2** (schwarz)  
Best.-Nr. **172615-3** (braun)  
Best.-Nr. **172615-4** (grün)  
Best.-Nr. **172615-5** (blau)**Einsetzbare Kontakte**Best.-Nr. **172795-1** (2 x)  
Best.-Nr. **172796-1** (1 x)**Abmessungen,  
3polig****Receptacle Housing,  
3 Positions****Material:**  
66 Nylon**Receptacle Housing**Part No. **172236-1** (natural)  
Part No. **172236-2** (black)  
Part No. **172236-3** (brown)  
Part No. **172236-5** (blue)**Applicable Contact**Part No. **170381-1** (3 x)**Receptacle Housing  
(Flag Type)**Part No. **172615-1** (natural)  
Part No. **172615-2** (black)  
Part No. **172615-3** (brown)  
Part No. **172615-4** (green)  
Part No. **172615-5** (blue)**Applicable Contacts**Part No. **172795-1** (2 x)  
Part No. **172796-1** (1 x)**Dimensions,  
3 Positions**