

Conxall's Sensor-Link series includes the Mini-Mizer, AC Micro-Mizer, DC Micro-Mizer and the Nano-Mizer product lines, which are overmolded cable assemblies. The overmolding process provides for environmental sealing and strain relief for flexing applications.

Designed to meet or exceed the requirements of UL, CSA, NEMA, ANSI, IEC and SAE, the Sensor-Link series is interchangeable and intermountable with other manufacturers equivalents. Conxall's strength is the combination of application experience and internal manufacturing capabilities that provide the knowledge and flexibility to meet and exceed the expectations of our customers.

Originally developed as an interconnect for a variety of sensing devices, the Sensor-Link series has found a wide range of applications as a general disconnect. Our exceptional quality, service and cost effectiveness makes Sensor-Link series the logical choice.

In our ongoing effort to expand our product offering, we are introducing our Mini and DC Micro Multi-Port box series. Offered with many options, these distribution boxes provide Conxall the opportunity to be a full service supplier to the sensor market.



TABLE OF CONTENTS

Mini-Mizer® "A" Size	4-8
Mini-Mizer® EMI/RFI Shielded	9
Mini-Mizer® "C" Size	10-11
Mini-Mizer® Wiring Sequence Charts & Specifications	12-13
AC Metal Micro-Mizer®	14-17
DC Metal Micro-Mizer®	18-21
DC Plastic Micro-Mizer®	22-23
DC Micro-Mizer® EMI/RFI Shielded	24
Micro-Mizer® Wiring Sequence Charts & Specifications	25
Nano-Mizer® and Molded Cord Sets	26-27
Nano-Mizer® Wiring Sequence Charts and Specifications	28
Custom Overmolded Assembly Check List	29-30
Other Products	31

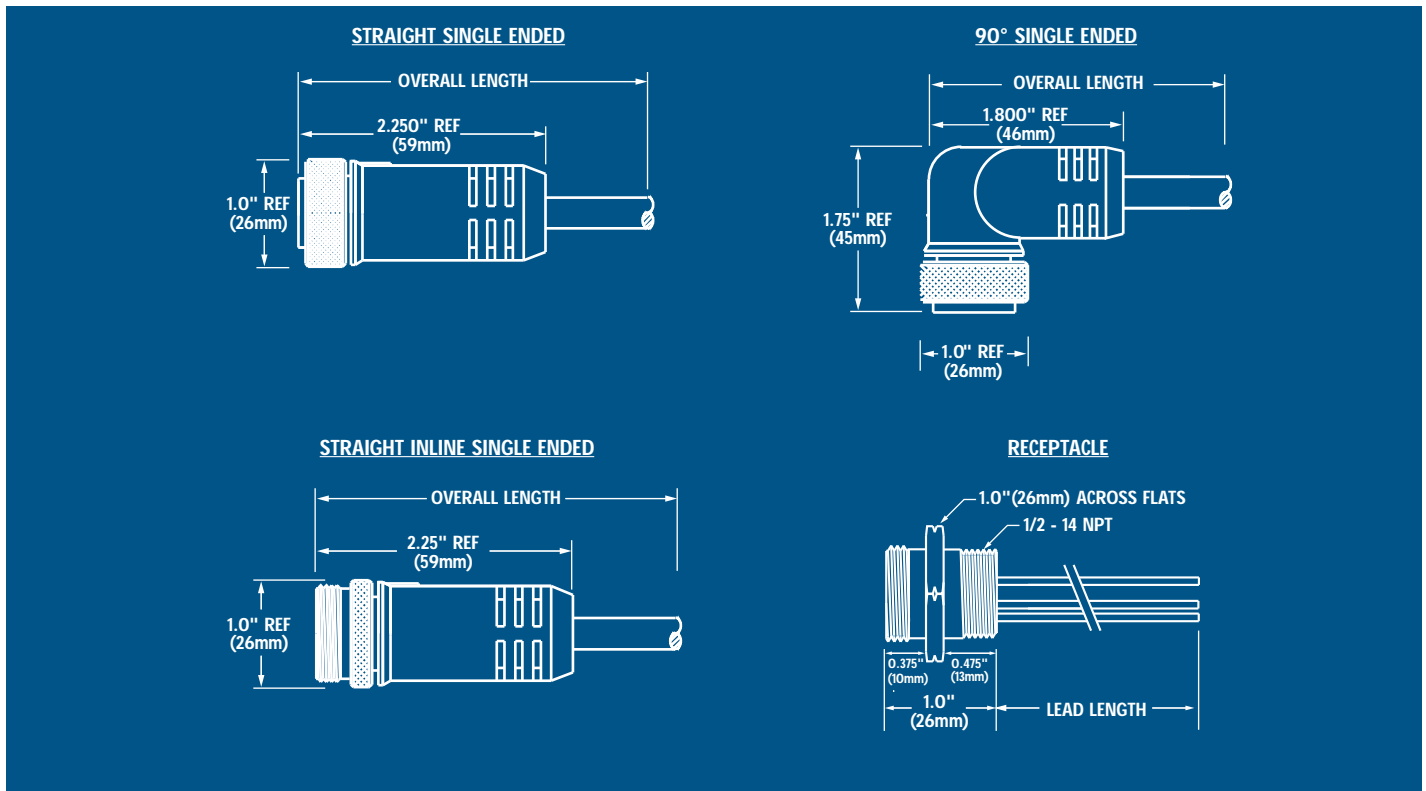
Warranty

CONXALL® Corp. manufactures the finest quality products available to the marketplace. However, these products are intended to be used in accordance with the specifications described in this catalog. Any use or application that deviates from the stated operating specifications is not recommended and may be unsafe. A limited warranty applies to all CONXALL® Corp. products. Except for obligations specifically assumed by CONXALL® Corp. under warranty, CONXALL® Corp. will not be liable for any loss, damage, cost of repairs, incidental or consequential damages of any kind whether or not based upon expressed or implied warranty, contract, negligence, or strict liability arising in connection with the design, manufacture, sale, use or repair of the products.

All drawings contained in this document are for representational purposes only, and should not be for used final specifications or engineering.

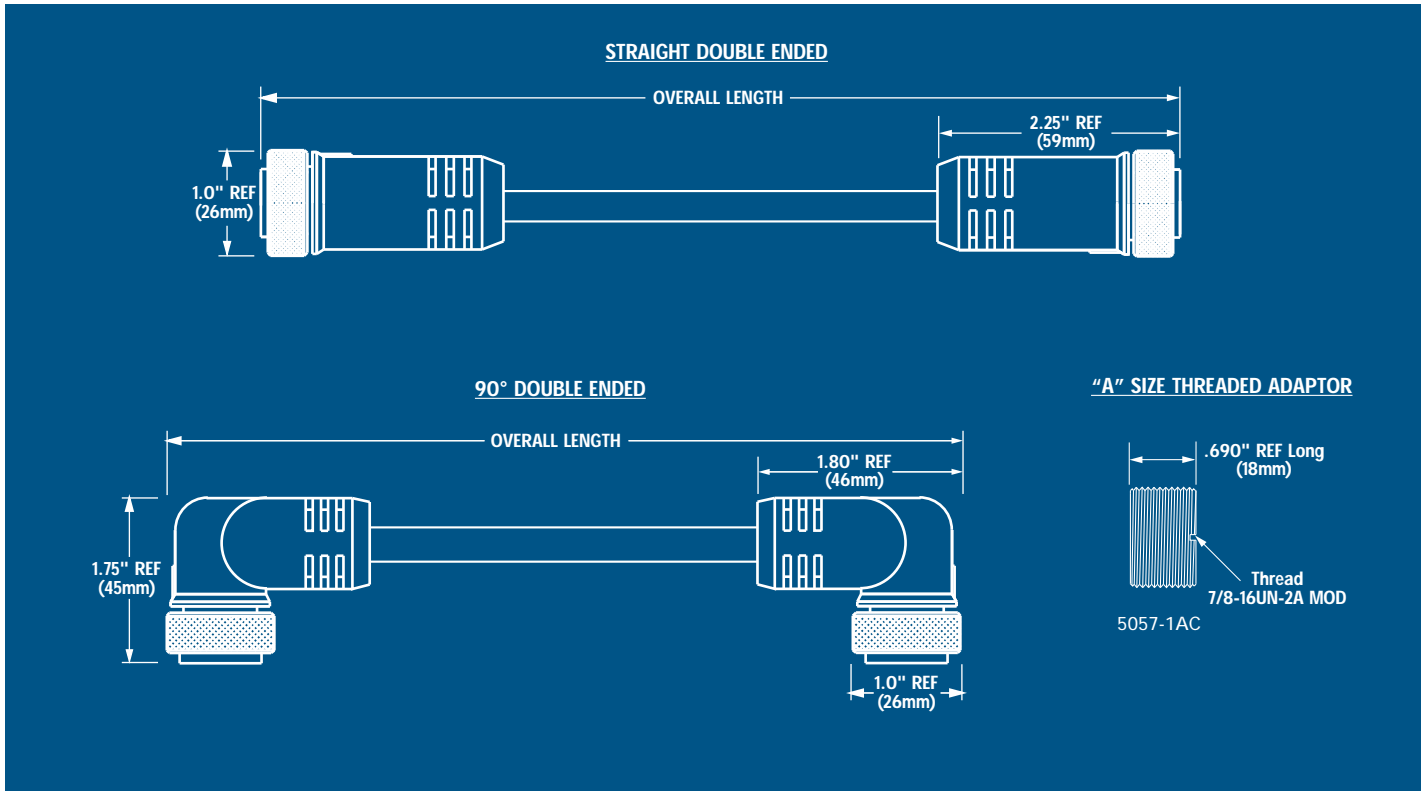
SENSOR-LINK MINI-MIZER® "A" Size

MOLDED CONNECTOR ASSEMBLIES



Face View Male	Rating	Overall Length Inches	Straight Male Single Ended	Straight Female Single Ended	90° Male Single Ended	90° Female Single Ended	Straight Inline Male Single Ended	Straight Inline Female Single Ended	Receptacle Male 12 Inch Leads
	13A 600V	36	162P36	162S36	182P36	182S36	192P36	192S36	
		72	162P72	162S72	182P72	182S72	192P72	192S72	172P12
		144	162P144	162S144	182P144	182S144	192P144	192S144	172PXXX
		Custom	162PXXXX	162SXXXX	182PXXXX	182SXXXX	192PXXXX	192SXXXX	
	13A 600V	36	163P36	163S36	183P36	183S36	193P36	193S36	
		72	163P72	163S72	183P72	183S72	193P72	193S72	173P12
		144	163P144	163S144	183P144	183S144	193P144	193S144	173PXXX
		Custom	163PXXXX	163SXXXX	183PXXXX	183SXXXX	193PXXXX	193SXXXX	
	10A 600V	36	164P36	164S36	184P36	184S36	194P36	194S36	
		72	164P72	164S72	184P72	184S72	194P72	194S72	174P12
		144	164P144	164S144	184P144	184S144	194P144	194S144	174PXXX
		Custom	164PXXXX	164SXXXX	184PXXXX	184SXXXX	194PXXXX	194SXXXX	
	8A 600V	36	165P36	165S36	185P36	185S36	195P36	195S36	
		72	165P72	165S72	185P72	185S72	195P72	195S72	175P12
		144	165P144	165S144	185P144	185S144	195P144	195S144	175PXXX
		Custom	165PXXXX	165SXXXX	185PXXXX	185SXXXX	195PXXXX	195SXXXX	
	8A 600V	36	166P36	166S36	186P36	186S36	196P36	196S36	
		72	166P72	166S72	186P72	186S72	196P72	196S72	176P12
		144	166P144	166S144	186P144	186S144	196P144	196S144	176PXXX
		Custom	166PXXXX	166SXXXX	186PXXXX	186SXXXX	196PXXXX	196SXXXX	

XXXX – Indicates "overall length / lead length" in inches.
 For mechanical, electrical and wiring sequence see pages 12 & 13.



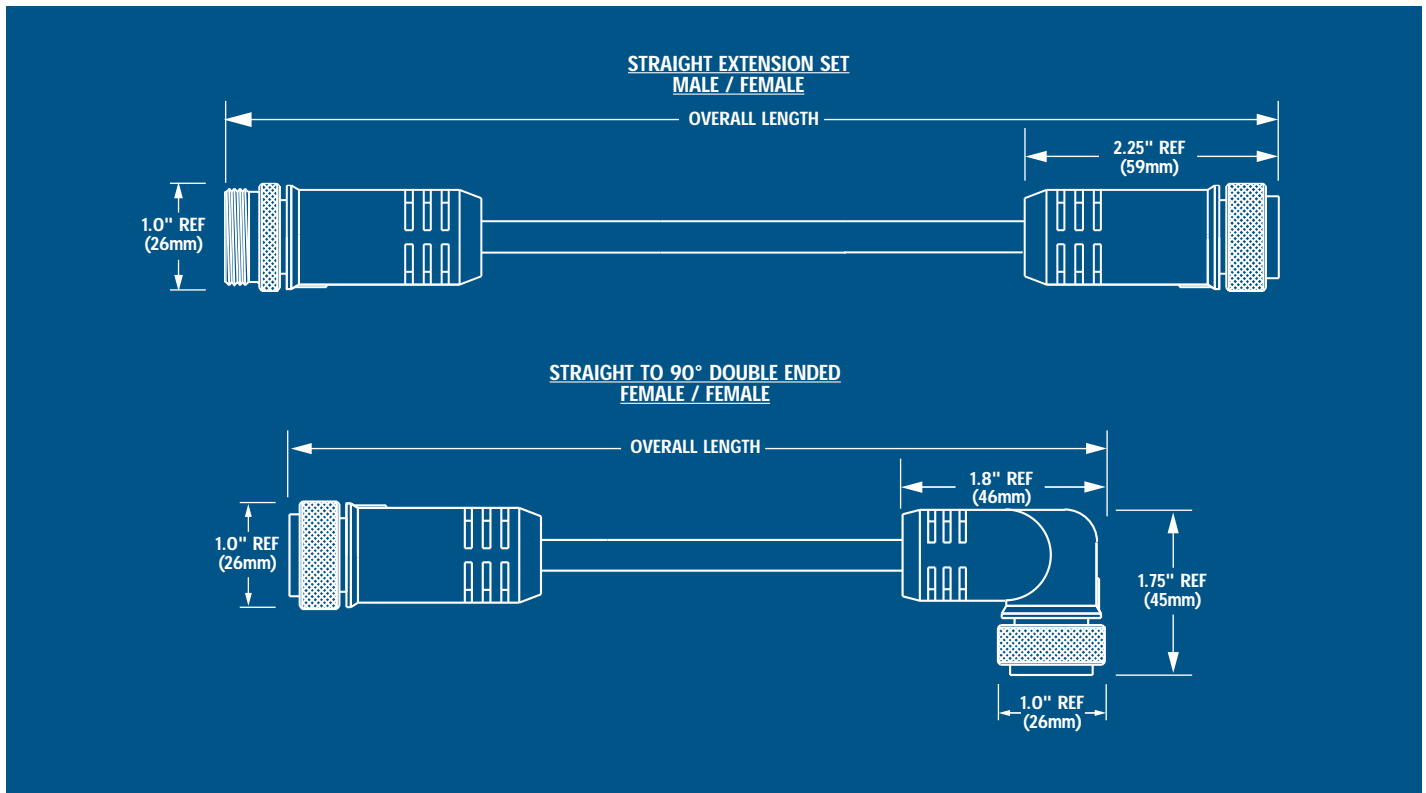
Receptacle Female 12 Inch Leads	Straight Male /Male Double Ended	Straight Female /Female Double Ended	Straight Male /Female Double Ended	90° Male /Male Double Ended	90° Female /Female Double Ended	90° Male /Female Double Ended
	562P2P36	562S2S36	562P2S36	542P2P36	542S2S36	542P2S36
172S12	562P2P72	562S2S72	562P2S72	542P2P72	542S2S72	542P2S72
172SXXX	562P2P144	562S2S144	562P2S144	542P2P144	542S2S144	542P2S144
	562P2PXXXX	562S2SXXXX	562P2SXXXX	542P2PXXXX	542S2SXXXX	542P2SXXXX
	563P3P36	563S3S36	563P3S36	543P3P36	543S3S36	543P3S36
173S12	563P3P72	563S3S72	563P3S72	543P3P72	543S3S72	543P3S72
173SXXX	563P3P144	563S3S144	563P3S144	543P3P144	543S3S144	543P3S144
	563P3PXXXX	563S3SXXXX	563P3SXXXX	543P3PXXXX	543S3SXXXX	543P3SXXXX
	564P4P36	564S4S36	564P4S36	544P4P36	544S4S36	544P4S36
174S12	564P4P72	564S4S72	564P4S72	544P4P72	544S4S72	544P4S72
174SXXX	564P4P144	564S4S144	564P4S144	544P4P144	544S4S144	544P4S144
	564P4PXXXX	564S4SXXXX	564P4SXXXX	544P4PXXXX	544S4SXXXX	544P4SXXXX
	565P5P36	565S5S36	565P5S36	545P5P36	545S5S36	545P5S36
175S12	565P5P72	565S5S72	565P5S72	545P5P72	545S5S72	545P5S72
175SXXX	565P5P144	565S5S144	565P5S144	545P5P144	545S5S144	545P5S144
	565P5PXXXX	565S5SXXXX	565P5SXXXX	545P5PXXXX	545S5SXXXX	545P5SXXXX
	566P6P36	566S6S36	566P6S36	546P6P36	546S6S36	546P6S36
176S12	566P6P72	566S6S72	566P6S72	546P6P72	546S6S72	546P6S72
176SXXX	566P6P144	566S6S144	566P6S144	546P6P144	546S6S144	546P6S144
	566P6PXXXX	566S6SXXXX	566P6SXXXX	546P6PXXXX	546S6SXXXX	546P6SXXXX



XXXX – Indicates “overall length / lead length” in inches.
 For mechanical, electrical and wiring sequence see pages 12 & 13.

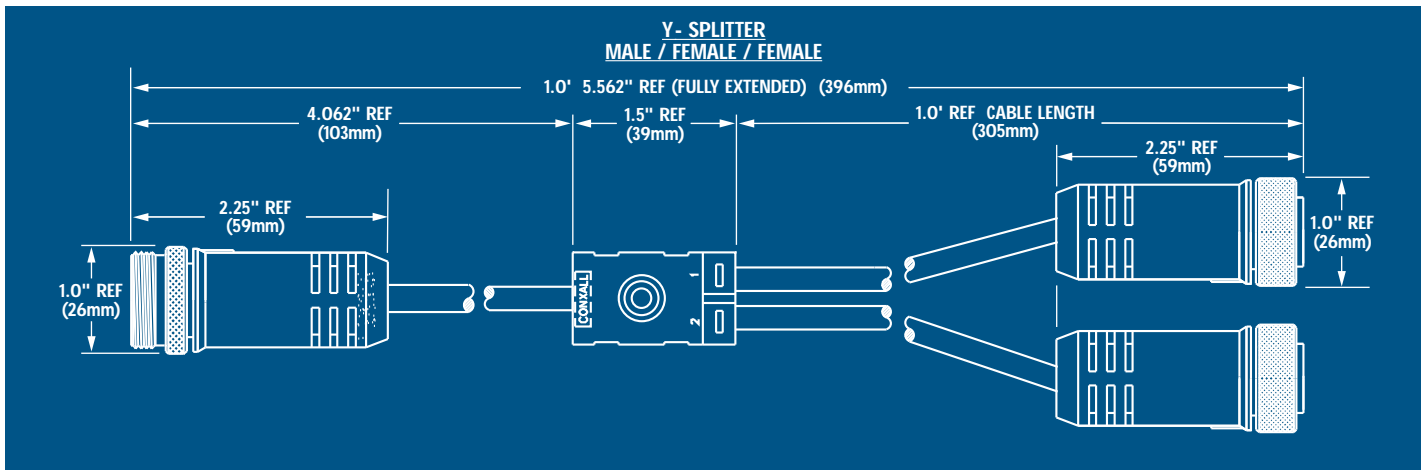
SENSOR-LINK MINI-MIZER® "A" Size

MOLDED CONNECTOR ASSEMBLIES



Face View Male	Rating	Overall Length Inches	Straight Extension Set Male /Female Double Ended	Straight Extension Set Female /Male Double Ended	Straight to 90° Male /Male Double Ended	Straight to 90° Female /Female Double Ended	Straight to 90° Male /Female Double Ended	Straight to 90° Female /Male Double Ended
	13A 600V	36	512P2S36	512S2P36	552P2P36	552S2S36	552P2S36	552S2P36
		72	512P2S72	512S2P72	552P2P72	552S2S72	552P2S72	552S2P72
		144	512P2S144	512S2P144	552P2P144	552S2S144	552P2S144	552S2P144
		Custom	512P2SXXXX	512S2PXXXX	552P2PXXXX	552S2SXXXX	552P2SXXXX	552S2PXXXX
	13A 600V	36	513P3S36	513S3P36	553P3P36	553S3S36	553P3S36	553S3P36
		72	513P3S72	513S3P72	553P3P72	553S3S72	553P3S72	553S3P72
		144	513P3S144	513S3P144	553P3P144	553S3S144	553P3S144	553S3P144
		Custom	513P3SXXXX	513S3PXXXX	553P3PXXXX	553S3SXXXX	553P3SXXXX	553S3PXXXX
	10A 600V	36	514P4S36	514S4P36	554P4P36	554S4S36	554P4S36	554S4P36
		72	514P4S72	514S4P72	554P4P72	554S4S72	554P4S72	554S4P72
		144	514P4S144	514S4P144	554P4P144	554S4S144	554P4S144	554S4P144
		Custom	514P4SXXXX	514S4PXXXX	554P4PXXXX	554S4SXXXX	554P4SXXXX	554S4PXXXX
	8A 600V	36	515P5S36	515S5P36	555P5P36	555S5S36	555P5S36	555S5P36
		72	515P5S72	515S5P72	555P5P72	555S5S72	555P5S72	555S5P72
		144	515P5S144	515S5P144	555P5P144	555S5S144	555P5S144	555S5P144
		Custom	515P5SXXXX	515S5PXXXX	555P5PXXXX	555S5SXXXX	555P5SXXXX	555S5PXXXX
	8A 600V	36	516P6S36	516S6P36	556P6P36	556S6S36	556P6S36	556S6P36
		72	516P6S72	516S6P72	556P6P72	556S6S72	556P6S72	556S6P72
		144	516P6S144	516S6P144	556P6P144	556S6S144	556P6S144	556S6P144
		Custom	516P6SXXXX	516S6PXXXX	556P6PXXXX	556S6SXXXX	556P6SXXXX	556S6PXXXX

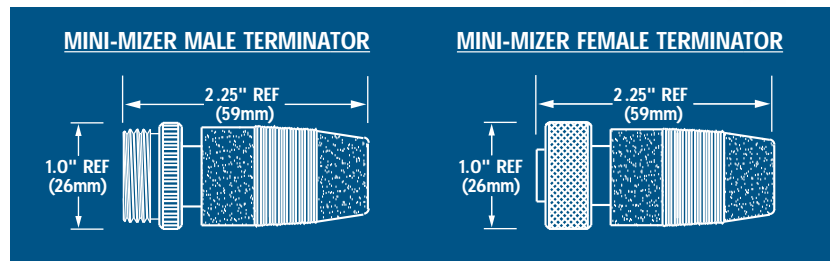
XXXX - Indicates "overall length" in inches.
For mechanical, electrical and wiring sequence see pages 12 & 13.



Face View Male	Rating	Wiring Diagram	Cable Length Inches	Y-Splitter Female/Female Female	Y-Splitter Male/Female Female
	10A 300V		12 Custom	592S2S2S12 592S2S2SXXX	592P2S2S12 592P2S2SXXX
	10A 300V		12 Custom	593S3S3S12 593S3S3SXXX	593P3S3S12 593P3S3SXXX
	8A 300V		12 Custom	594S4S4S12 594S4S4SXXX	594P4S4S12 594P4S4SXXX
	6A 300V		12 Custom	595S5S5S12 595S5S5SXXX	595P5S5S12 595P5S5SXXX
	6A 300V		12 Custom	596S6S6S12 596S6S6SXXX	596P6S6S12 596P6S6SXXX

For insert combinations not shown - consult factory.

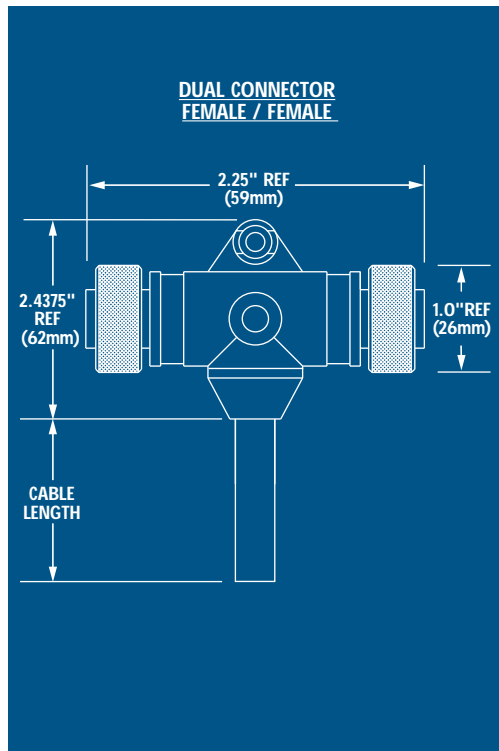
Face View Male	Rating	Terminator Male	Terminator Female
	8A, 600V	535P	535S



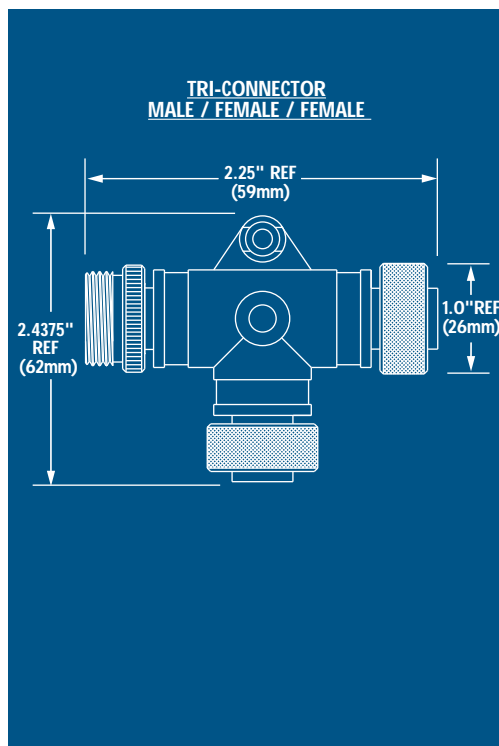
XXX - Indicates "cable length" in inches.
For mechanical, electrical and wiring sequence see pages 12 & 13.

SENSOR-LINK MINI-MIZER® "A" Size

MOLDED CONNECTOR ASSEMBLIES



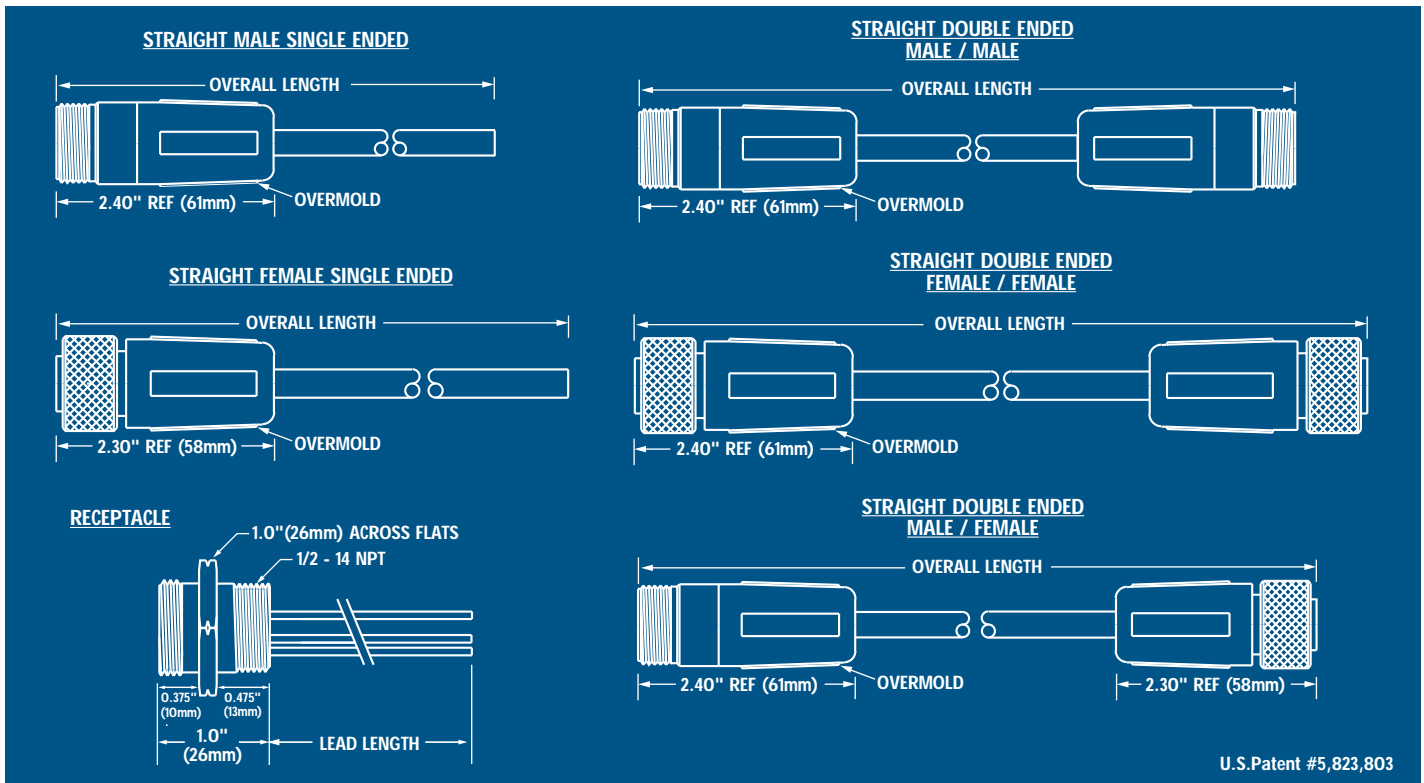
Face View Male	Rating	Wiring Diagram	Cable Length Inches	Dual Connector with Cable Male / Female	Dual Connector with Cable Female / Female
	13A 600V		36 Custom	572P2S36 572P2SXXX	572S2S36 572S2SXXX
	13A 600V		36 Custom	573P3S36 573P3SXXX	573S3S36 573S3SXXX
	10A 600V		36 Custom	574P4S36 574P4SXXX	574S4S36 574S4SXXX
	8A 600V		36 Custom	575P5S36 575P5SXXX	575S5S36 575S5SXXX
	8A 600V		36 Custom	576P6S36 576P6SXXX	576S6S36 576S6SXXX



Face View Male	Rating	Wiring Diagram	Tri-Connector Male / Female Female	Tri-Connector Female / Female Female
	13A 600V		582P2S2S	582S2S2S
	13A 600V		583P3S3S	583S3S3S
	10A 600V		584P4S4S	584S4S4S
	8A 600V		585P5S5S	585S5S5S
	8A 600V		586P6S6S	586S6S6S

XXX – Indicates "cable length" in inches. For mechanical, electrical and wiring sequence see pages 12 & 13.
For insert combinations not shown - consult factory.

SENSOR-LINK MINI-MIZER[®] "A" Size EMI/RFI SHIELDED MOLDED CONNECTOR ASSEMBLIES

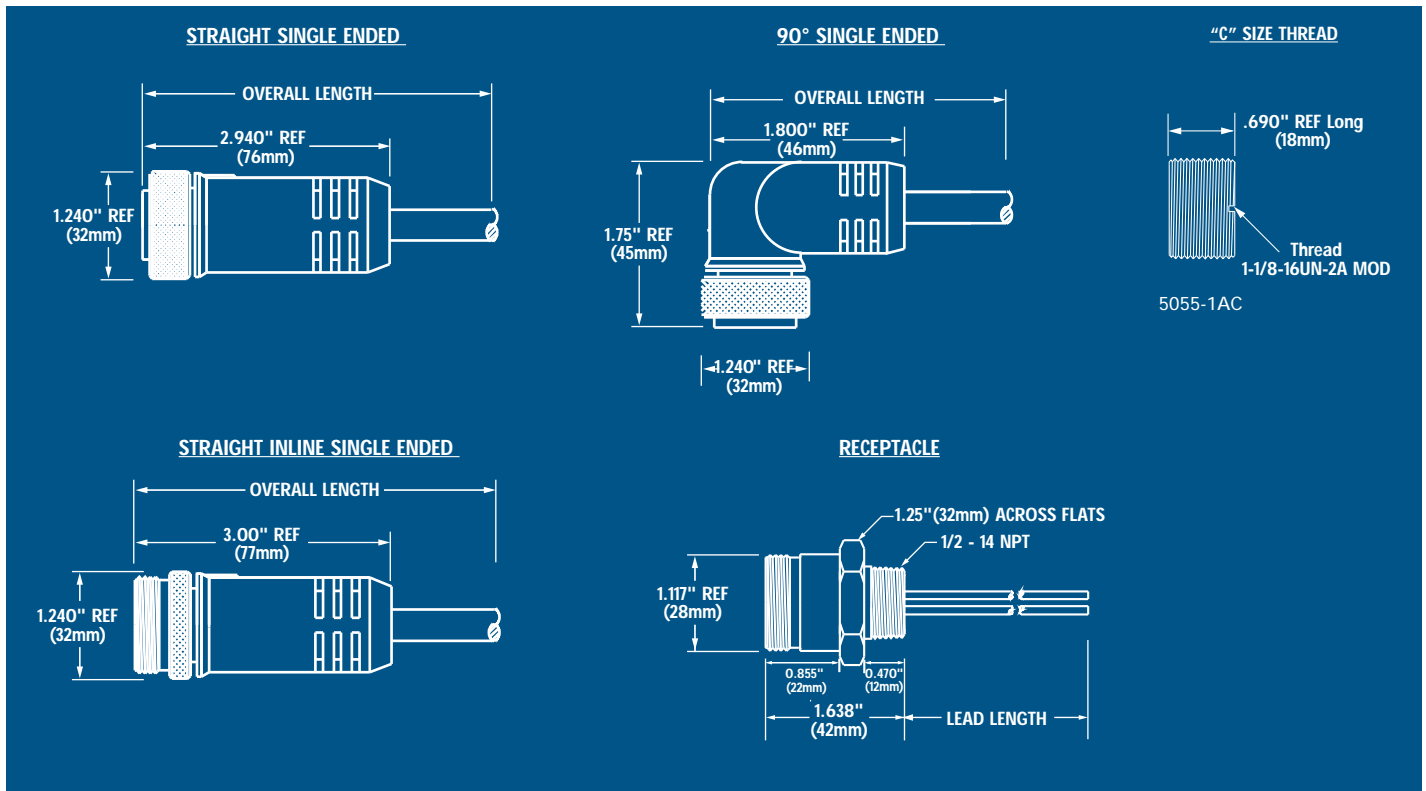


Face View Male	Rating	Overall Length Inches	Straight Male Single Ended	Straight Female Single Ended	Straight Male /Male Double Ended	Straight Female /Female Double Ended	Straight Male /Female Double Ended	Receptacle Male 12 Inch Cable
	13A	36	SH162P36	SH162S36	SH562P2P36	SH562S2S36	SH562P2S36	
	600V	72	SH162P72	SH162S72	SH562P2P72	SH562S2S72	SH562P2S72	SH172P12
		144	SH162P144	SH162S144	SH562P2P144	SH562S2S144	SH562P2S144	SH172PXXX
		Custom	SH162PXXXX	SH162SXXXX	SH562P2PXXXX	SH562S2SXXXX	SH562P2SXXXX	
	13A	36	SH163P36	SH163S36	SH563P3P36	SH563S3S36	SH563P3S36	
	600V	72	SH163P72	SH163S72	SH563P3P72	SH563S3S72	SH563P3S72	SH173P12
		144	SH163P144	SH163S144	SH563P3P144	SH563S3S144	SH563P3S144	SH173PXXX
		Custom	SH163PXXXX	SH163SXXXX	SH563P3PXXXX	SH563S3SXXXX	SH563P3SXXXX	
	10A	36	SH164P36	SH164S36	SH564P4P36	SH564S4S36	SH564P4S36	
	600V	72	SH164P72	SH164S72	SH564P4P72	SH564S4S72	SH564P4S72	SH174P12
		144	SH164P144	SH164S144	SH564P4P144	SH564S4S144	SH564P4S144	SH174PXXX
		Custom	SH164PXXXX	SH164SXXXX	SH564P4PXXXX	SH564S4SXXXX	SH564P4SXXXX	
	8A	36	SH165P36	SH165S36	SH565P5P36	SH565S5S36	SH565P5S36	
	600V	72	SH165P72	SH165S72	SH565P5P72	SH565S5S72	SH565P5S72	SH175P12
		144	SH165P144	SH165S144	SH565P5P144	SH565S5S144	SH565P5S144	SH175PXXX
		Custom	SH165PXXXX	SH165SXXXX	SH565P5PXXXX	SH565S5SXXXX	SH565P5SXXXX	
	8A	36	SH166P36	SH166S36	SH566P6P36	SH566S6S36	SH566P6S36	
	600V	72	SH166P72	SH166S72	SH566P6P72	SH566S6S72	SH566P6S72	SH176P12
		144	SH166P144	SH166S144	SH566P6P144	SH566S6S144	SH566P6S144	SH176PXXX
		Custom	SH166PXXXX	SH166SXXXX	SH566P6PXXXX	SH566S6SXXXX	SH566P6SXXXX	

XXXX - Indicates "overall length / cable length" in inches.
For mechanical, electrical and wiring sequence see pages 12 & 13.

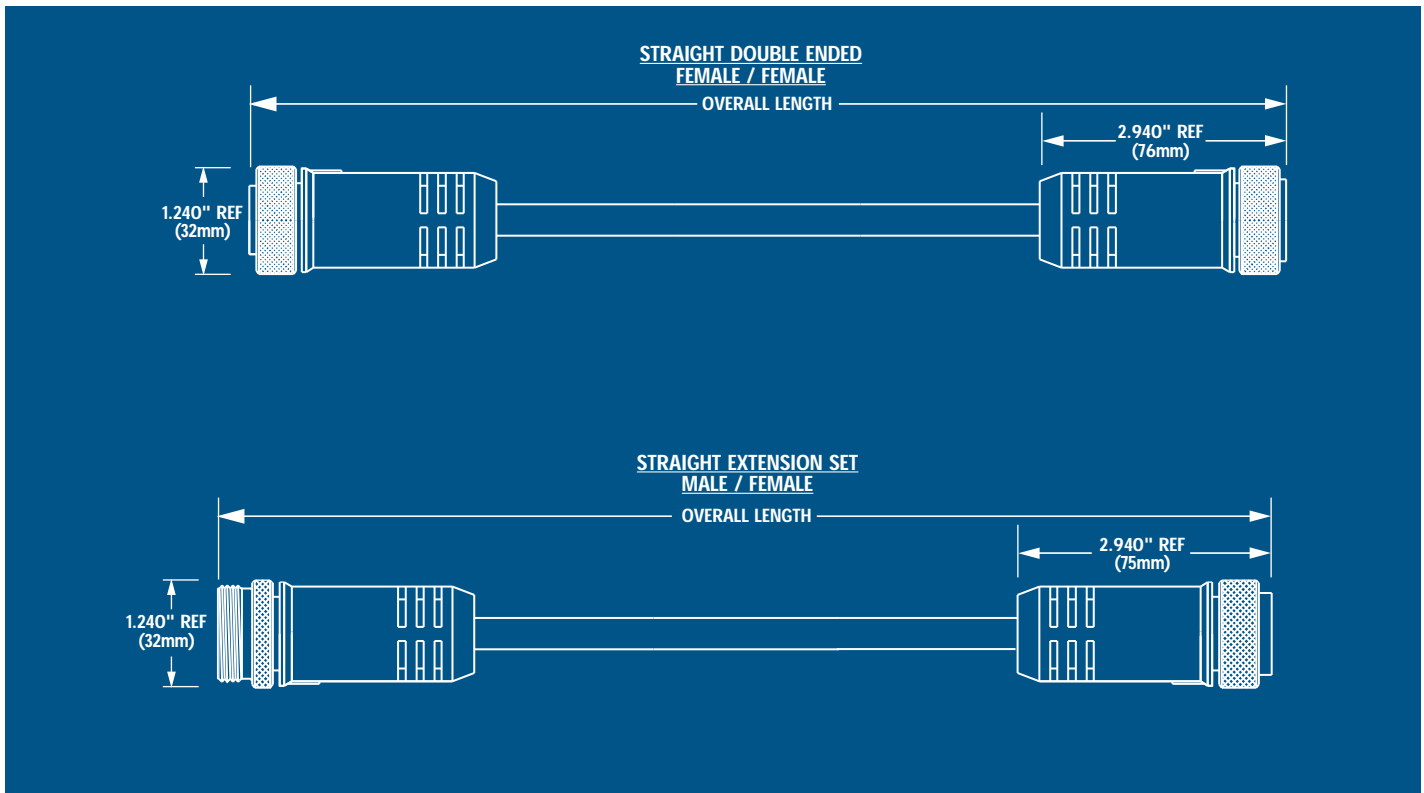
SENSOR-LINK MINI-MIZER® "C" Size

MOLDED CONNECTOR ASSEMBLIES



Face View Male	Rating	Overall Length Inches	Straight Male Single Ended	Straight Female Single Ended	90° Male Single Ended	90° Female Single Ended	Straight Inline Male Single Ended	Straight Inline Female Single Ended
	7A 250V	36	169P36	169S36	189P36	189S36	199P36	199S36
		72	169P72	169S72	189P72	189S72	199P72	199S72
		144	169P144	169S144	189P144	189S144	199P144	199S144
		Custom	169PXXXX	169SXXXX	189PXXXX	189SXXXX	199PXXXX	199SXXXX
	7A 250V	36	1610P36	1610S36	1810P36	1810S36	1910P36	1910S36
		72	1610P72	1610S72	1810P72	1810S72	1910P72	1910S72
		144	1610P144	1610S144	1810P144	1810S144	1910P144	1910S144
		Custom	1610PXXXX	1610SXXXX	1810PXXXX	1810SXXXX	1910PXXXX	1910SXXXX
	7A 250V	36	1612P36	1612S36	1812P36	1812S36	1912P36	1912S36
		72	1612P72	1612S72	1812P72	1812S72	1912P72	1912S72
		144	1612P144	1612S144	1812P144	1812S144	1912P144	1912S144
		Custom	1612PXXXX	1612SXXXX	1812PXXXX	1812SXXXX	1912PXXXX	1912SXXXX

XXXX – Indicates "overall length / lead length" in inches.
For mechanical, electrical and wiring sequence see pages 12 & 13.



Receptacle Male 12 Inch Leads	Receptacle Female 12 Inch Leads	Straight Male /Male Double Ended	Straight Female /Female Double Ended	Straight Male /Female Double Ended	Extension Set Male/Female Double Ended	Extension Set Female/Male Double Ended
		569P9P36	569S9S36	569P9S36	519P9S35	519S9P36
179P12	179S12	569P9P72	569S9S72	569P9S72	519P9S72	519S9P72
179PXXXX	179SXXXX	569P9P144	569S9S144	569P9S144	519P9S144	519S9P144
		569P9PXXXX	569S9SXXXX	569P9SXXXX	519P9SXXXX	519S9PXXXX
		5610P10P36	5610S10S36	5610P10S36	5110P10S35	5110S10P36
1710P12	1710S12	5610P10P72	5610S10S72	5610P10S72	5110P10S72	5110S10P72
1710PXXXX	1710SXXXX	5610P10P144	5610S10S144	5610P10S144	5110P10S144	5110S10P144
		5610P10PXXXX	5610S10SXXXX	5610P10SXXXX	5110P10SXXXX	5110S10PXXXX
		5612P12P36	5612S12S36	5612P12S36	5112P12S36	5112S12P36
1712P12	1712S12	5612P12P72	5612S12S72	5612P12S72	5112P12S72	5112S12P72
1712PXXXX	1712SXXXX	5612P12P144	5612S12S144	5612P12S144	5112P12S144	5112S12P144
		5612P12PXXXX	5612S12SXXXX	5612P12SXXXX	5112P12SXXXX	5112S12PXXXX

XXXX - Indicates "overall length / lead length" in inches.
 For mechanical, electrical and wiring sequence see pages 12 & 13.



SENSOR-LINK MINI-MIZER®

MOLDED CONNECTOR ASSEMBLIES

STANDARD MINI-MIZER WIRING SEQUENCE

Panel Mounts and Cable Assemblies Conductor
Color Code per Contact Position:

INDUSTRIAL "A & C" Size

2 CONTACTS

1. WHT
2. BLK



3 CONTACTS

1. GRN
2. BLK
3. WHT



4 CONTACTS

1. BLK
2. WHT
3. RED
4. GRN



5 CONTACTS

1. WHT
2. RED
3. GRN
4. ORG
5. BLK



6 CONTACTS

1. WHT
2. RED
3. GRN
4. ORG
5. BLK
6. BLU



9 CONTACTS

1. ORG
2. BLU
3. RED/BLK
4. GRN/BLK
5. WHT
6. RED
7. GRN
8. WHT/BLK
9. BLK



10 CONTACTS

1. ORG
2. BLU
3. WHT/BLK
4. RED/BLK
5. GRN/BLK
6. ORG/BLK
7. RED
8. GRN
9. BLK
10. WHT



12 CONTACTS

1. ORG
2. BLU
3. WHT/BLK
4. RED/BLK
5. GRN/BLK
6. ORG/BLK
7. BLU/BLK
8. BLK/WHT
9. GRN
10. RED
11. WHT
12. BLK



AUTOMOTIVE "A" Size

3 CONTACTS

1. GRN
2. RED 2
3. RED 3



4 CONTACTS

1. RED 1
2. RED 2
3. RED 3
4. GRN



5 CONTACTS

1. RED 1
2. RED 2
3. GRN
4. RED 4
5. RED 5



For Automotive Color Code Insert
"A" 164PA36

INTERNATIONAL "A" Size

2 CONTACTS

1. BRN
2. BLU



3 CONTACTS

1. BLK
2. BRN
3. BLU



3 CONTACTS *

1. GRN/YEL
2. BRN
3. BLU



4 CONTACTS

1. BLK
2. BLU
3. BRN
4. WHT



5 CONTACTS

1. BLK
2. BLU
3. GRN/YEL
4. BRN
5. WHT



* For International Color Code
Insert "I" 164PI36

* For Second International Color
Code Use "IA" 164PIA36

SENSOR LINK PRODUCT LINE MINI-MIZER® SPECIFICATIONS

STANDARD PANEL MOUNTS:

- 16 AWG, 105C, 600V, PVC Hook-up Wire
- EPTR "Santoprene" Insert
- Lead Length 12 In.
- Epoxy Filled

STANDARD CABLE ASSEMBLIES:

- 16 AWG, PVC Yellow Jacketed Cable
- Polyurethane Insert
- Polyurethane (Straight) and PVC (90° Right Angle) Overmold
- Length 3, 6 and 12 Ft.
 - Options*
 - 16 AWG, Polyurethane Yellow Jacketed Cable
For Polyurethane Cable add suffix "U"
 - 16 AWG, PVC & Polyurethane Yellow Jacketed
Shielded Cable
For Shielded Cable add suffix "S"

- Lengths other than standard
- DeviceNet Gray
 - Add suffix "D1": Thin
 - Add suffix "D2": Thick

Y SPLITTER ASSEMBLIES:

- 18 AWG, Polyurethane Yellow Jacketed Cable
- Polyurethane Insert
- Polyurethane Overmold

TRI CONNECTOR:

- 18 AWG Hook-up Wires
- Polyurethane Insert
- Polyurethane Overmold
 - Options*
 - DeviceNet Gray
 - Add suffix "D1": Thin
 - Add suffix "D2": Thick

DUAL CONNECTOR WITH CABLE:

- 18 AWG, Polyurethane Yellow Jacketed Cable
- Polyurethane Insert
- Polyurethane Overmold

TERMINATOR:

- Resistor 1/4 Watt 121 Ohm 1%
- Polyurethane Insert
- Polyurethane Overmold

SENSOR LINK PRODUCT LINE MINI-MIZER[®] SPECIFICATIONS

ELECTRICAL RATING:

VOLTAGE: 600V

CABLE ASSEMBLIES:

COUPLING NUT: Anodized Aluminum (Optional Nylon and Stainless Steel) Consult Factory

CONTACTS: Copper Alloy, Gold-plated

INSERT: Polyurethane

MOLDED HEADS: PVC or PUR per Cable Jacket Material

CABLE: 16 AWG: PVC Insulated, Fine Stranded Copper Conductors, Yellow Oil Resistant PVC Jacketed
600V, STO, 105°C.
18 AWG, 300V, 105°C for Y-splitter Only
UL Recognized, CSA Certified

PANEL MOUNT ASSEMBLIES:

SHELLS: Anodized Aluminum (Optional Nylon and Stainless Steel) Consult Factory

CONTACTS: Copper Alloy, Gold-plated

INSERTS: Ethylene Propylene Thermoplastic Rubber
"Santoprene"

WIRE: 16 AWG PVC Insulated, 600V
UL Recognized, CSA Certified

ENVIRONMENTAL:

PROTECTION: NEMA 6P, IP67 & IP68

OPERATING AMBIENT: -20° to 80°C

CERTIFICATIONS:

UL: UL Recognized, File No. E150822

CSA: CSA Certified, FILE No. 181200

EMI/RFIELDING:

Meets or Exceeds IEC Directives:

IEC 1000-4-2 ESD, 5KV to 15KV in 2.5KV Steps

IEC 1000-4-3 RFI Immunity, 10V/m

IEC 1000-4-4 Fast Transient, 2K

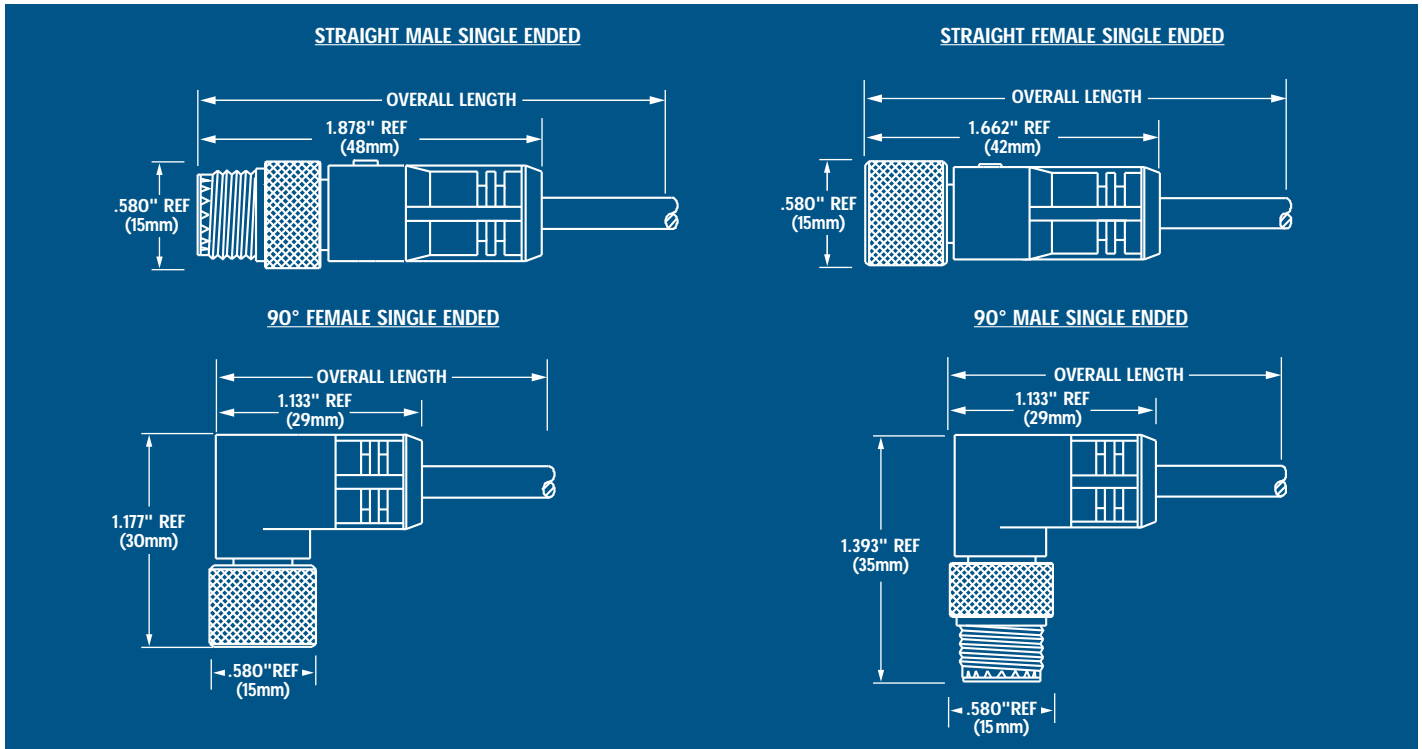
IEC 1000-4-5 Surge, DC Immunity, 3.1KV

EN50141 Induced RF Immunity, 10V/m



SENSOR-LINK AC METAL MICRO-MIZER®

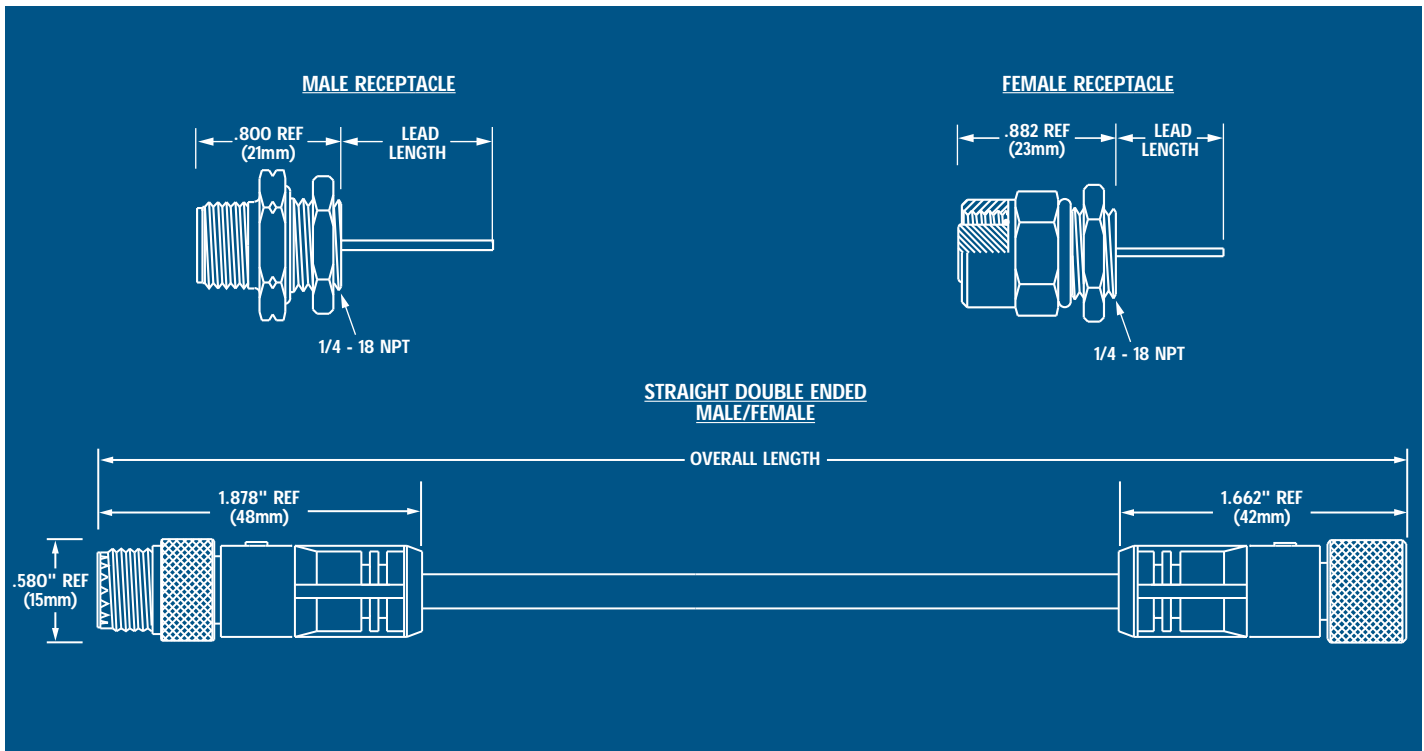
MOLDED CONNECTOR ASSEMBLIES



Anti-vibration coupling nuts standard.

Face View Male	Rating	Overall Length Inches	Straight Male Single Ended	Straight Female Single Ended	90° Male Single Ended	90° Female Single Ended
	3A 300V	36	402P36	402S36	462P36	462S36
		72	402P72	402S72	462P72	462S72
		144	402P144	402S144	462P144	462S144
		Custom	402PXXXX	402SXXXX	462PXXXX	462SXXXX
	3A 300V	36	403P36	403S36	463P36	463S36
		72	403P72	403S72	463P72	463S72
		144	403P144	403S144	463P144	463S144
		Custom	403PXXXX	403SXXXX	463PXXXX	463SXXXX
	3A 300V	36	404P36	404S36	464P36	464S36
		72	404P72	404S72	464P72	464S72
		144	404P144	404S144	464P144	464S144
		Custom	404PXXXX	404SXXXX	464PXXXX	464SXXXX
	3A 300V	36	405P36	405S36	465P36	465S36
		72	405P72	405S72	465P72	465S72
		144	405P144	405S144	465P144	465S144
		Custom	405PXXXX	405SXXXX	465PXXXX	465SXXXX
	3A 300V	36	406P36	406S36	466P36	466S36
		72	406P72	406S72	466P72	466S72
		144	406P144	406S144	466P144	466S144
		Custom	406PXXXX	406SXXXX	466PXXXX	466SXXXX

XXXX - Indicates "overall length" in inches.
For mechanical, electrical and wiring sequence see page 25.



Anti-vibration coupling nuts standard. Consult factory for Environmental Sealing Covers.

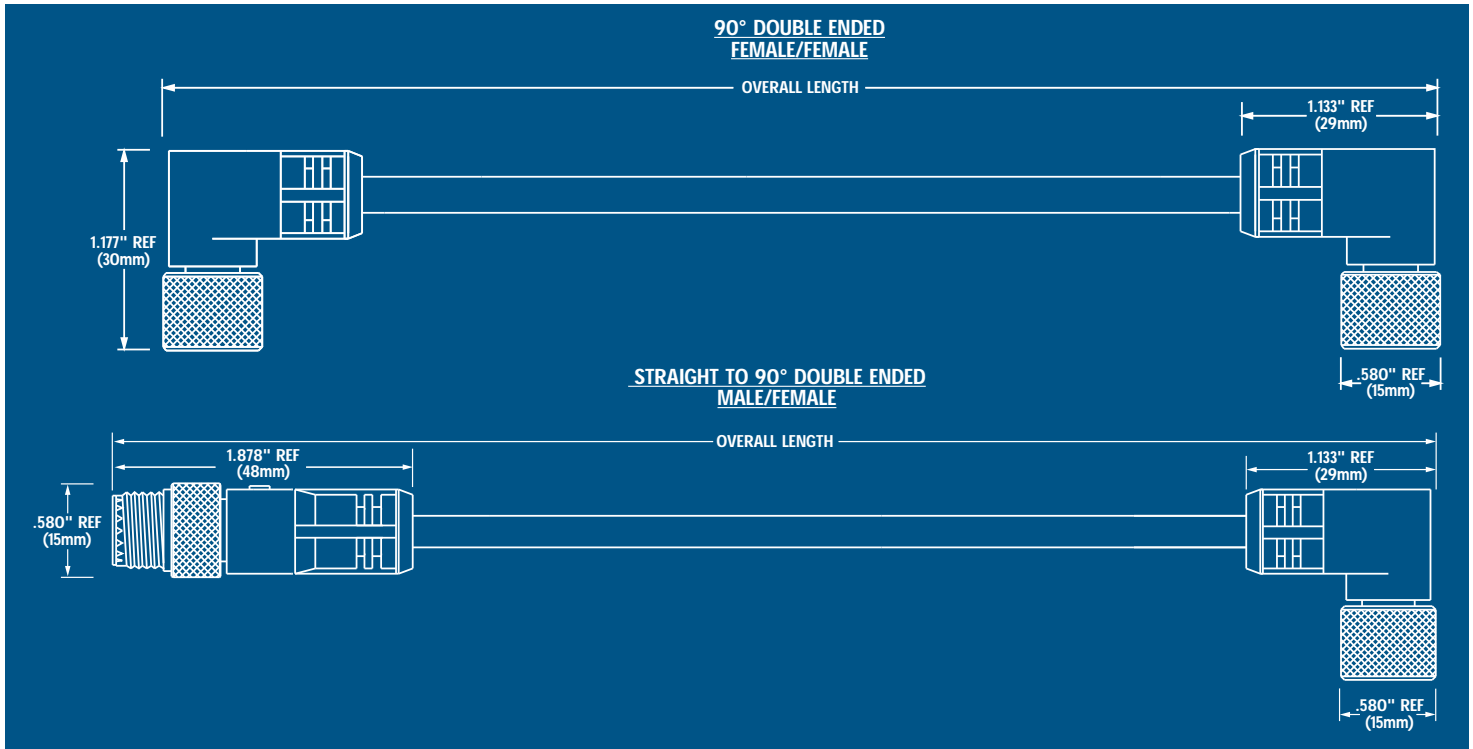
Receptacle Male 12 Inch Leads	Receptacle Female 12 Inch Leads	Straight Male /Male Double Ended	Straight Female /Female Double Ended	Straight Male /Female Double Ended
412P12	412S12	472P2P36	472S2S36	472P2S36
412PXXX	412SXXX	472P2P72	472S2S72	472P2S72
		472P2P144	472S2S144	472P2S144
		472P2PXXXX	472S2SXXXX	472P2SXXXX
413P12	413S12	473P3P36	473S3S36	473P3S36
413PXXX	413SXXX	473P3P72	473S3S72	473P3S72
		473P3P144	473S3S144	473P3S144
		473P3PXXXX	473S3SXXXX	473P3SXXXX
414P12	414S12	474P4P36	474S4S36	474P4S36
414PXXX	414SXXX	474P4P72	474S4S72	474P4S72
		474P4P144	474S4S144	474P4S144
		474P4PXXXX	474S4SXXXX	474P4SXXXX
415P12	415S12	475P5P36	475S5S36	475P5S36
415PXXX	415SXXX	475P5P72	475S5S72	475P5S72
		475P5P144	475S5S144	475P5S144
		475P5PXXXX	475S5SXXXX	475P5SXXXX
416P12	416S12	476P6P36	476S6S36	476P6S36
416PXXX	416SXXX	476P6P72	476S6S72	476P6S72
		476P6P144	476S6S144	476P6S144
		476P6PXXXX	476S6SXXXX	476P6SXXXX



XXXX - Indicates "overall length / lead length" in inches.
For mechanical, electrical and wiring sequence see page 25.

SENSOR-LINK AC METAL MICRO-MIZER®

MOLDED CONNECTOR ASSEMBLIES



Anti-vibration coupling nuts standard.

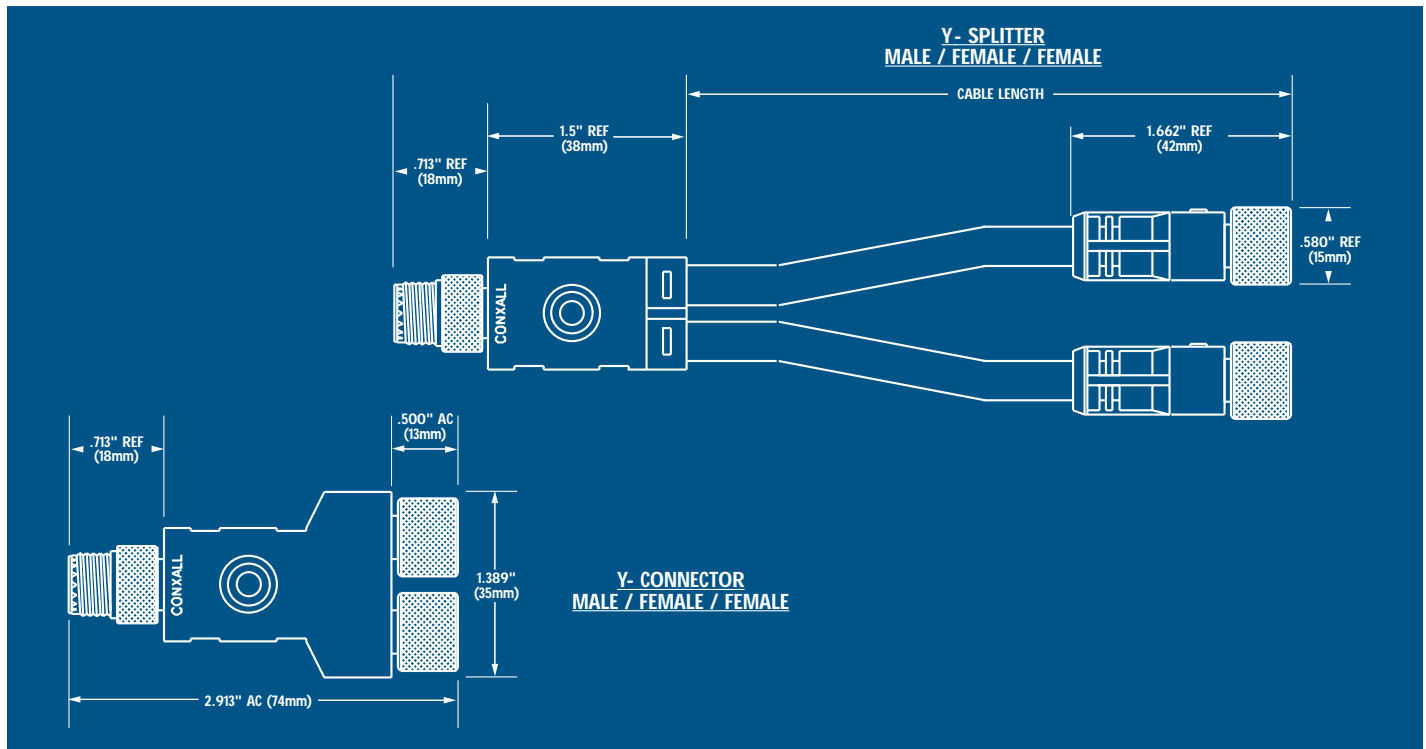
Face View Male	Rating	Overall Length Inches	90° Male /Male Double Ended	90° Female /Female Double Ended	90° Male /Female Double Ended	Straight to 90° Male /Female Double Ended	Straight to 90° Female /Male Double Ended
	3A 300V	36	452P2P36	452S2S36	452P2S36	482P2S36	482S2P36
		72	452P2P72	452S2S72	452P2S72	482P2S72	482S2P72
		144	452P2P144	452S2S144	452P2S144	482P2S144	482S2P144
		Custom	452P2PXXXX	452S2SXXXX	452P2SXXXX	482P2SXXXX	482S2PXXXX
	3A 300V	36	453P3P36	453S3S36	453P3S36	483P3S36	483S3P36
		72	453P3P72	453S3S72	453P3S72	483P3S72	483S3P72
		144	453P3P144	453S3S144	453P3S144	483P3S144	483S3P144
		Custom	453P3PXXXX	453S3SXXXX	453P3SXXXX	483P3SXXXX	483S3PXXXX
	3A 300V	36	454P4P36	454S4S36	454P4S36	484P4S36	484S4P36
		72	454P4P72	454S4S72	454P4S72	484P4S72	484S4P72
		144	454P4P144	454S4S144	454P4S144	484P4S144	484S4P144
		Custom	454P4PXXXX	454S4SXXXX	454P4SXXXX	484P4SXXXX	484S4PXXXX
	3A 300V	36	455P5P36	455S5S36	455P5S36	485P5S36	485S5P36
		72	455P5P72	455S5S72	455P5S72	485P5S72	485S5P72
		144	455P5P144	455S5S144	455P5S144	485P5S144	485S5P144
		Custom	455P5PXXXX	455S5SXXXX	455P5SXXXX	485P5SXXXX	485S5PXXXX
	3A 300V	36	456P6P36	456S6S36	456P6S36	486P6S36	486S6P36
		72	456P6P72	456S6S72	456P6S72	486P6S72	486S6P72
		144	456P6P144	456S6S144	456P6S144	486P6S144	486S6P144
		Custom	456P6PXXXX	456S6SXXXX	456P6SXXXX	486P6SXXXX	486S6PXXXX

XXXX - Indicates "overall length" in inches.
For mechanical, electrical and wiring sequence see page 25.

SENSOR-LINK AC MICRO-MIZER®



MOLDED CONNECTOR ASSEMBLIES



Anti-vibration coupling nuts standard.

Face View Male	Rating	Wiring Diagram	Y-Splitter Female / Female Female	Y-Splitter Male / Female Female	Y-Connector Female / Female Female	Y-Connector Male / Female Female
	3A 300V		492S2S2S12 492S2S2SXXX	492P2S2S12 492P2S2SXXX	422S2S2S	422P2S2S
	3A 300V		493S3S3S12 493S3S3SXXX	493P3S3S12 493P3S3SXXX	423S3S3S	423P3S3S
	3A 300V		494S4S4S12 494S4S4SXXX	494P4S4S12 494P4S4SXXX	424S4S4S	424P4S4S
	3A 300V		495S5S5S12 495S5S5SXXX	495P5S5S12 495P5S5SXXX	425S5S5S	425P5S5S
	3A 300V		496S6S6S12 496S6S6SXXX	496P6S6S12 496P6S6SXXX	426S6S6S	426P6S6S

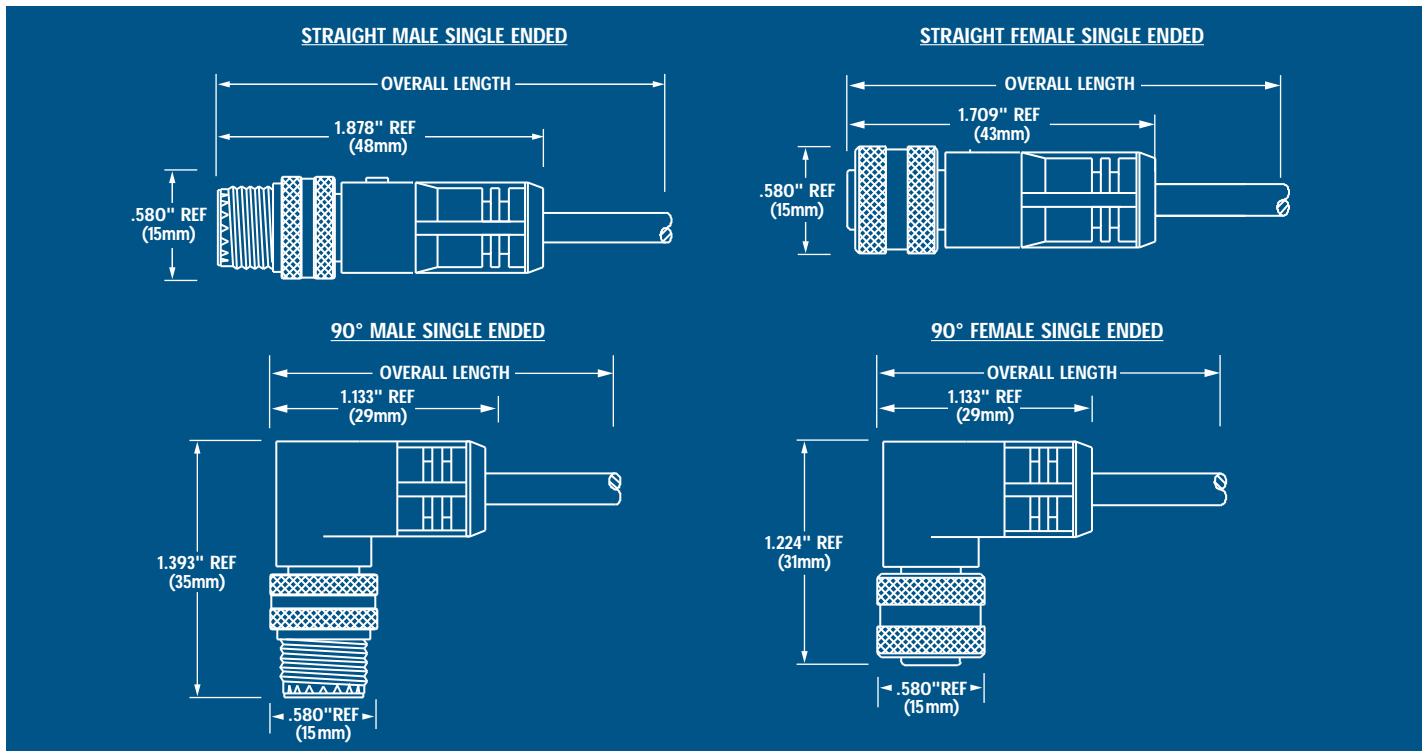
XXX - Indicates "cable length" in inches, other than standard 12 inch length.
For mechanical, electrical and wiring sequence see page 25.
For insert combinations not shown — consult factory.



601 East Wildwood, Villa Park, Illinois 60181 ▪ Telephone (630) 834-7504 ▪ Fax (630) 834-8540

SENSOR-LINK DC METAL MICRO-MIZER[®]

MOLDED CONNECTOR ASSEMBLIES

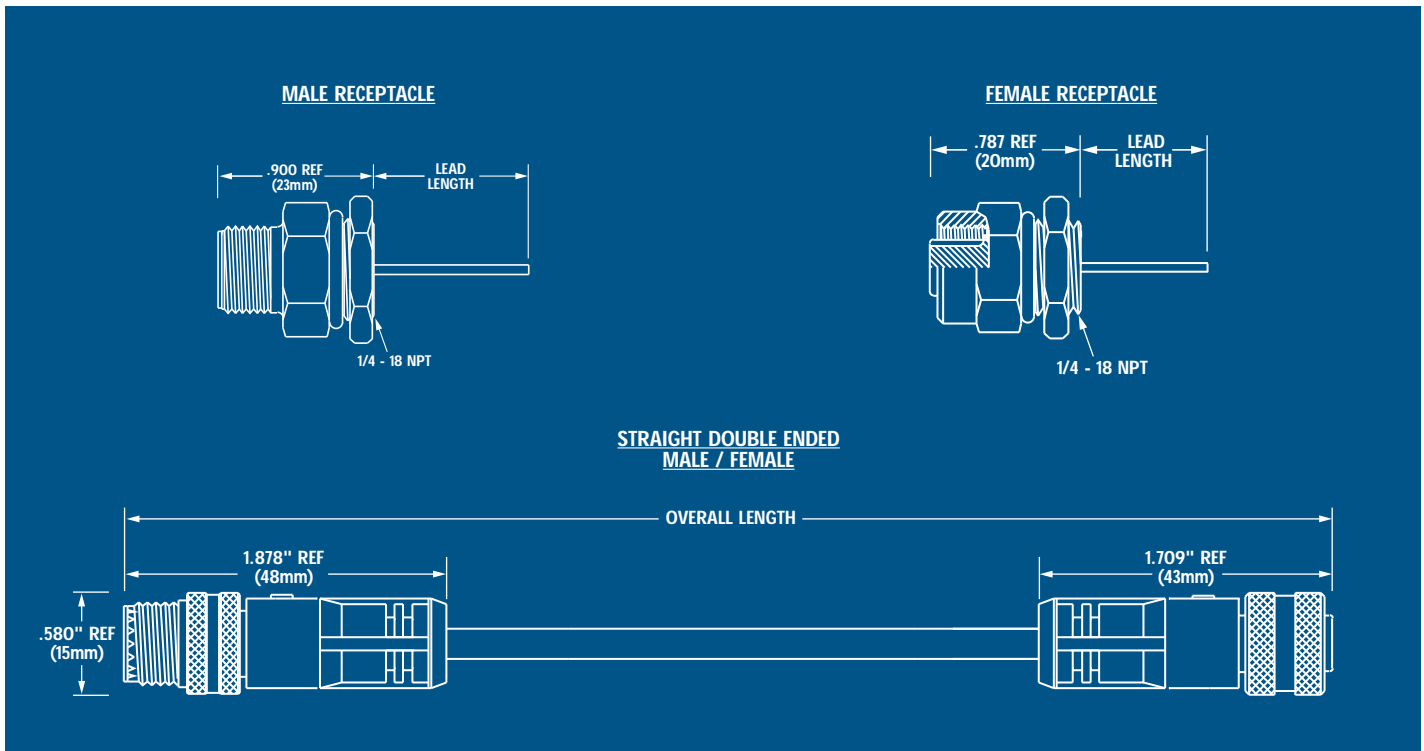


Anti-vibration coupling nuts standard.

Face View Male	Rating	Overall Length Meters	Straight Male Single Ended	Straight Female Single Ended	90° Male Single Ended	90° Female Single Ended
	3A 300V	1	302P1	302S1	342P1	342S1
		2	302P2	302S2	342P2	342S2
		4	302P4	302S4	342P4	342S4
		Custom	302PXX	302SXX	342PXX	342SXX
	3A 300V	1	303P1	303S1	343P1	343S1
		2	303P2	303S2	343P2	343S2
		4	303P4	303S4	343P4	343S4
		Custom	303PXX	303SXX	343PXX	343SXX
	3A 300V	1	304P1	304S1	344P1	344S1
		2	304P2	304S2	344P2	344S2
		4	304P4	304S4	344P4	344S4
		Custom	304PXX	304SXX	344PXX	344SXX
	3A 300V	1	305P1	305S1	345P1	345S1
		2	305P2	305S2	345P2	345S2
		4	305P4	305S4	345P4	345S4
		Custom	305PXX	305SXX	345PXX	345SXX
	* 2A 125V	1	308P1	308S1	348P1	348S1
		2	308P2	308S2	348P2	348S2
		4	308P4	308S4	348P4	348S4
		Custom	308PXX	308SXX	348PXX	348SXX

Consult Factory for 6 & 7 Pole

XX - Indicates "overall length" in meters.
 For mechanical, electrical and wiring sequence see page 25.
 * Not UL Recognized or CSA Certified.



Anti-vibration coupling nuts standard. Consult factory for Environmental Sealing Covers.

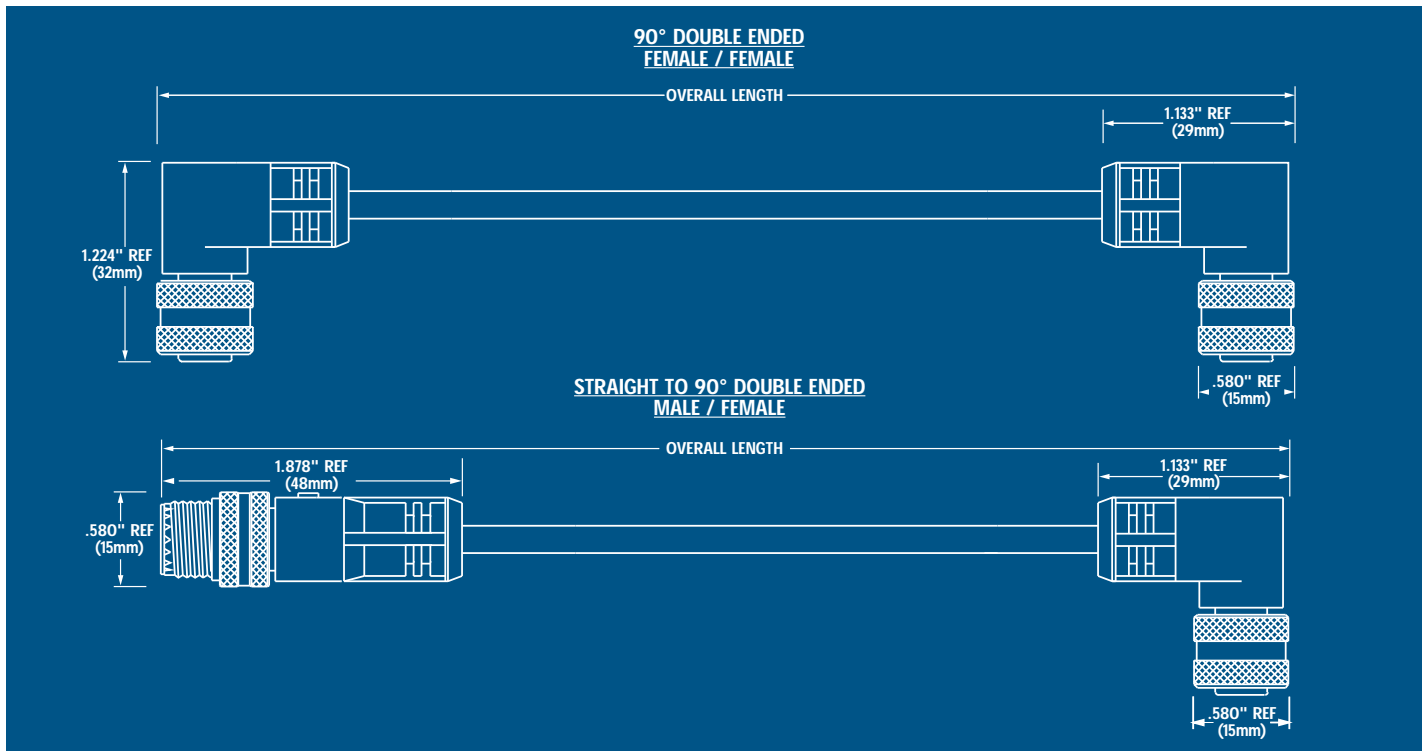
Receptacle Male .3 Meter Leads	Receptacle Female .3 Meter Leads	Straight Male /Male Double Ended	Straight Female /Female Double Ended	Straight Male /Female Double Ended
312P.3	312S.3	372P2P1	372S2S1	372P2S1
31PXX	31SXX	372P2P2	372S2S2	372P2S2
		372P2P4	372S2S4	372P2S4
		372P2PXX	372S2SXX	372P2SXX
		373P3P1	373S3S1	373P3S1
313P.3	313S.3	373P3P2	373S3S2	373P3S2
313PXX	313SXX	373P3P4	373S3S4	373P3S4
		373P3PXX	373S3SXX	373P3SXX
		374P4P1	374S4S1	374P4S1
314P.3	314S.3	374P4P2	374S4S2	374P4S2
314PXX	314SXX	374P4P4	374S4S4	374P4S4
		374P4PXX	374S4SXX	374P4SXX
		375P5P1	375S5S1	375P5S1
315P.3	315S.3	375P5P2	375S5S2	375P5S2
315PXX	315SXX	375P5P4	375S5S4	375P5S4
		375P5PXX	375S5SXX	375P5SXX
		378P8P1	378S8S1	378P8S1
318P.3	318S.3	378P8P2	378S8S2	378P8S2
318PXX	318SXX	378P8P4	378S8S4	378P8S4
		378P8PXX	378S8SXX	378P8SXX

XX – Indicates “overall length / lead length” in meters.
For mechanical, electrical and wiring sequence see page 25.



SENSOR-LINK DC METAL MICRO-MIZER[®]

MOLDED CONNECTOR ASSEMBLIES



Anti-vibration coupling nuts standard.

Face View Male	Rating	Overall Length Meters	90° Male / Male Double Ended	90° Female / Female Double Ended	90° Male / Female Double Ended	Straight to 90° Male / Female Double Ended	Straight to 90° Female / Male Double Ended
	3A 300V	1	362P2P1	362S2S1	362P2S1	352P2S1	352S2P1
		2	362P2P2	362S2S2	362P2S2	352P2S2	352S2P2
		4	362P2P4	362S2S4	362P2S4	352P2S4	352S2P4
		Custom	362P2PXX	362S2SXX	362P2SXX	352P2SXX	352S2PXX
	3A 300V	1	363P3P1	363S3S1	363P3S1	353P3S1	353S3P1
		2	363P3P2	363S3S2	363P3S2	353P3S2	353S3P2
		4	363P3P4	363S3S4	363P3S4	353P3S4	353S3P4
		Custom	363P3PXX	363S3SXX	363P3SXX	353P3SXX	353S3PXX
	3A 300V	1	364P4P1	364S4S1	364P4S1	354P4S1	354S4P1
		2	364P4P2	364S4S2	364P4S2	354P4S2	354S4P2
		4	364P4P4	364S4S4	364P4S4	354P4S4	354S4P4
		Custom	364P4PXX	364S4SXX	364P4SXX	354P4SXX	354S4PXX
	3A 300V	1	365P5P1	365S5S1	365P5S1	355P5S1	355S5P1
		2	365P5P2	365S5S2	365P5S2	355P5S2	355S5P2
		4	365P5P4	365S5S4	365P5S4	355P5S4	355S5P4
		Custom	365P5PXX	365S5SXX	365P5SXX	355P5SXX	355S5PXX
	*2A 300V	1	368P8P1	368S8S1	368P8S1	358P8S1	358S8P1
		2	368P8P2	368S8S2	368P8S2	358P8S2	358S8P2
		4	368P8P4	368S8S4	368P8S4	358P8S4	358S8P4
		Custom	368P8PXX	368S8SXX	368P8SXX	358P8SXX	358S8PXX

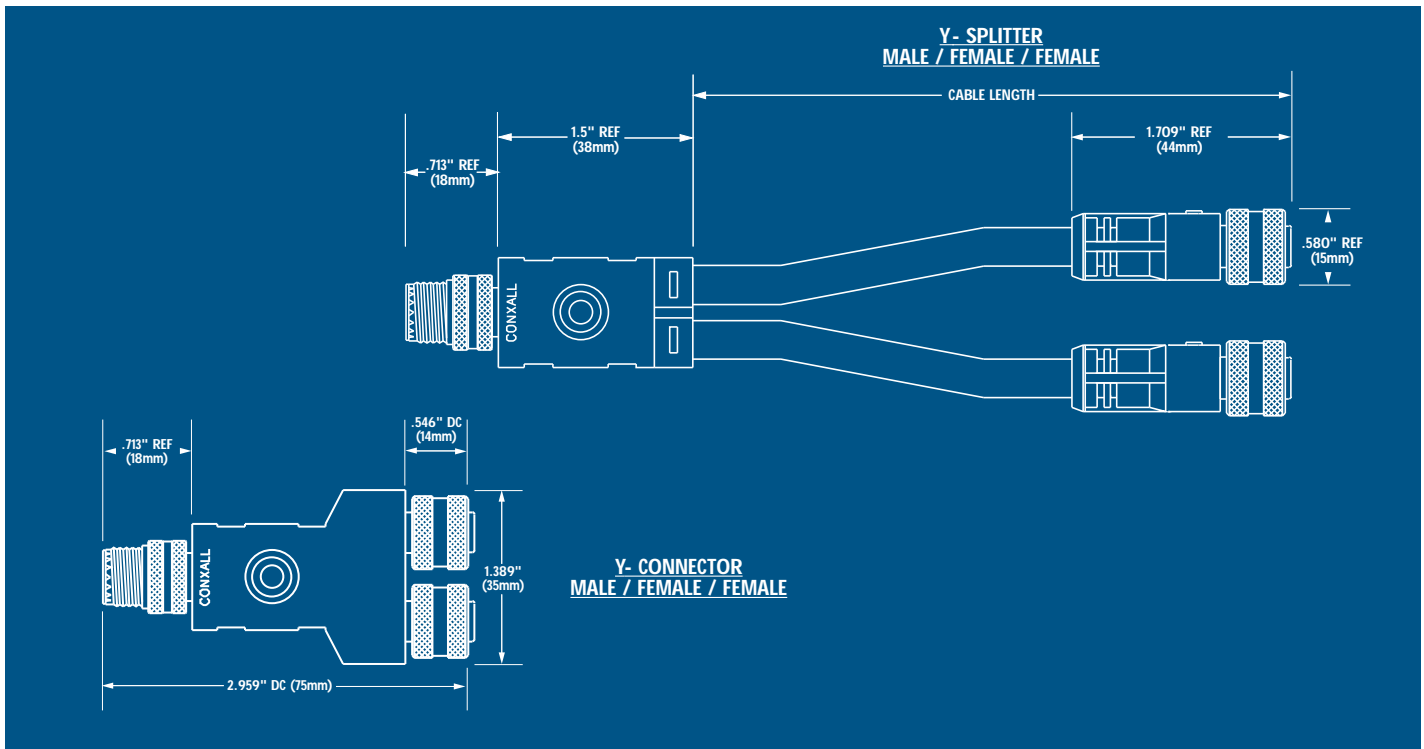
Consult Factory for 6 & 7 Pole

XX - Indicates "overall length" in meters.
For mechanical, electrical and wiring sequence see page 25.
* Not UL Recognized or CSA Certified.

SENSOR-LINK DC MICRO-MIZER[®]



MOLDED CONNECTOR ASSEMBLIES



Anti-vibration coupling nuts standard.

Face View Male	Rating	Wiring Diagram	Y-Splitter Female/Female/Female	Y-Splitter Male/Female/Female	Y-Connector Female/Female/Female	Y-Connector Male/Female/Female
	3A 300V		392S2S2S.3 392S2S2SXX	392P2S2S.3 392P2S2SXX	322S2S2S	322P2S2S
	3A 300V		393S3S3S.3 393S3S3SXX	393P3S3S.3 393P3S3SXX	323S3S3S	323P3S3S
	3A 300V		394S4S4S.3 394S4S4SXX	394P4S4S.3 394P4S4SXX	324S4S4S	324P4S4S
	3A 300V		395S5S5S.3 395S5S5SXX	395P5S5S.3 395P5S5SXX	325S5S5S	325P5S5S
	* 2A 125V		398S8S8S.3 398S8S8SXX	398P8S8S.3 398P8S8SXX	328S8S8S	328P8S8S

Consult Factory for 6 & 7 Pole

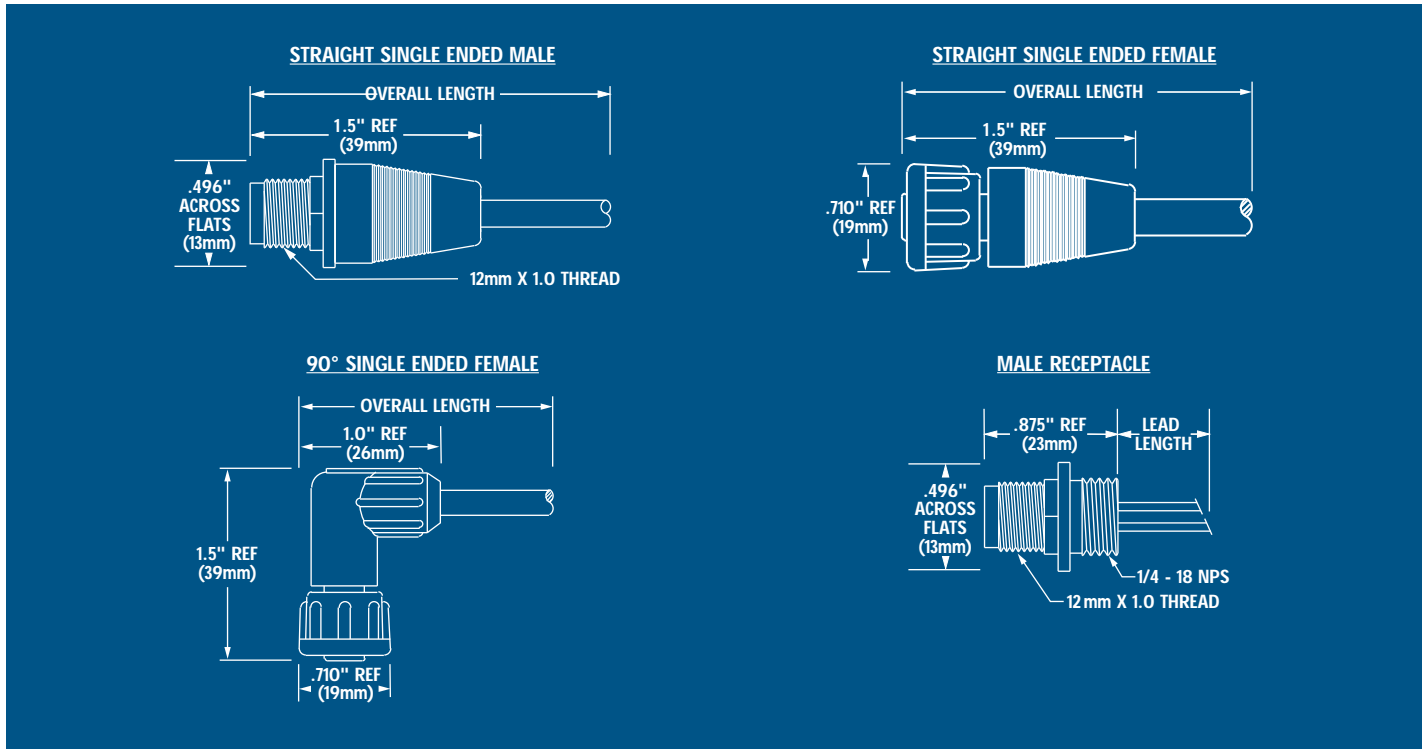
XX - Indicates "cable length" in meters, other than standard .3 meter length. For mechanical, electrical and wiring sequence see page 25. For insert combinations not shown — consult factory. * Not UL Recognized or CSA Certified.



601 East Wildwood, Villa Park, Illinois 60181 ▪ Telephone (630) 834-7504 ▪ Fax (630) 834-8540

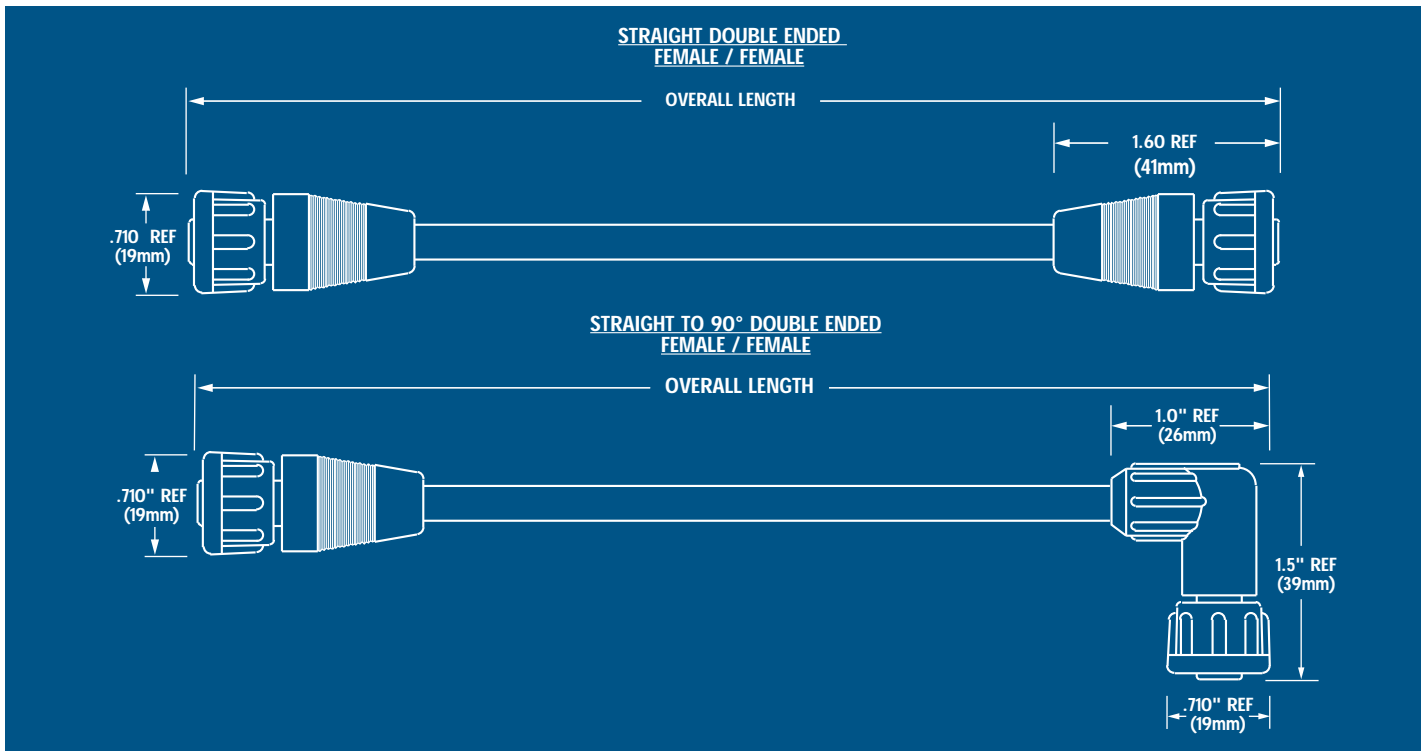
SENSOR-LINK DC PLASTIC MICRO-MIZER[®]

MOLDED CONNECTOR ASSEMBLIES



Face View Male	Rating	Overall Length Meters	Straight Male Single Ended	Straight Female Single Ended	90° Female Single Ended	Receptacle Male .3 Meter Leads
	3A 300V	1	202P1	202S1	232S1	212P.3 21PXX
		2	202P2	202S2	232S2	
		4	202P4	202S4	232S4	
		Custom	202PXX	202SXX	232SXX	
	3A 300V	1	203P1	203S1	233S1	213P.3 213PXX
		2	203P2	203S2	233S2	
		4	203P4	203S4	233S4	
		Custom	203PXX	203SXX	233SXX	
	3A 300V	1	204P1	204S1	234S1	214P.3 214PXX
		2	204P2	204S2	234S2	
		4	204P4	204S4	234S4	
		Custom	204PXX	204SXX	234SXX	
	3A 300V	1	205P1	205S1	235S1	215P.3 215PXX
		2	205P2	205S2	235S2	
		4	205P4	205S4	235S4	
		Custom	205PXX	205SXX	235SXX	

XX - Indicates "overall length / lead length" in meters.
 For mechanical, electrical and wiring sequence see page 25.

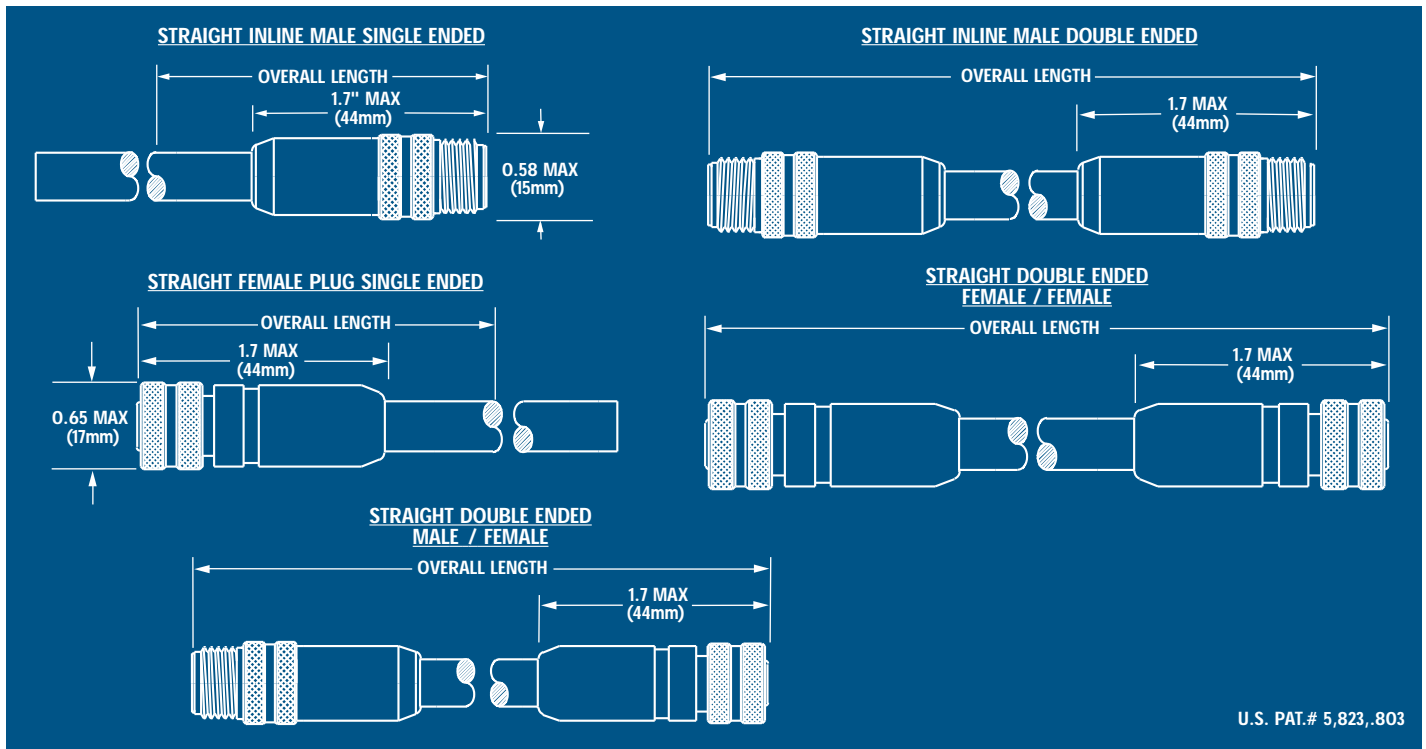


Consult factory for Environmental Sealing Covers.

Straight Female/Female Double Ended	Straight Male/Female Double Ended	Straight Male/Male Double Ended	90° Female/Female Double Ended	Straight to 90° Female/Female Double Ended	Straight to 90° Male/Female Double Ended
242S2S1	242P2S1	242P2P1	262S2S1	272S2S1	272P2S1
242S2S2	242P2S2	242P2P2	262S2S2	272S2S2	272P2S2
242S2S4	242P2S4	242P2P4	262S2S4	272S2S4	272P2S4
242S2SXX	242P2SXX	242P2PXX	262S2SXX	272S2SXX	272P2SXX
243S3S1	243P3S1	243P3P1	263S3S1	273S3S1	273P3S1
243S3S2	243P3S2	243P3P2	263S3S2	273S3S2	273P3S2
243S3S4	243P3S4	243P3P4	263S3S4	273S3S4	273P3S4
243S3SXX	243P3SXX	243P3PXX	263S3SXX	273S3SXX	273P3SXX
244S4S1	244P4S1	244P4P1	264S4S1	274S4S1	274P4S1
244S4S2	244P4S2	244P4P2	264S4S2	274S4S2	274P4S2
244S4S4	244P4S4	244P4P4	264S4S4	274S4S4	274P4S4
244S4SXX	244P4SXX	244P4PXX	264S4SXX	274S4SXX	274P4SXX
245S5S1	245P5S1	245P5P1	265S5S1	275S5S1	275P5S1
245S5S2	245P5S2	245P5P2	265S5S2	275S5S2	275P5S2
245S5S4	245P5S4	245P5P4	265S5S4	275S5S4	275P5S4
245S5SXX	245P5SXX	245P5PXX	265S5SXX	275S5SXX	275P5SXX

XX - Indicates "overall length" in meters.
 For mechanical, electrical and wiring sequence see page 25.

SENSOR-LINK DC MICRO-MIZER[®] EMI/RFI SHIELDED MOLDED CONNECTOR ASSEMBLIES



Rotating Male Coupling Nut available — consult factory.

Face View Male	Rating	Overall Length Meters	Straight Inline Male Single Ended	Straight Female Single Ended	Straight Inline Male Double Ended	Straight Female/Female Double Ended	Straight Male/Female Double Ended
	3A 300V	1	SH302P1	SH302S1	SH372P2P1	SH372S2S1	SH372P2S1
		2	SH302P2	SH302S2	SH372P2P2	SH372S2S2	SH372P2S2
		4	SH302P4	SH302S4	SH372P2P4	SH372S2S4	SH372P2S4
		Custom	SH302PXX	SH302SXX	SH372P2PXX	SH372S2SXXXX	SH372P2SXXXX
	3A 300V	1	SH303P1	SH303S1	SH373P3P1	SH373S3S1	SH373P3S1
		2	SH303P2	SH303S2	SH373P3P2	SH373S3S2	SH373P3S2
		4	SH303P4	SH303S4	SH373P3P4	SH373S3S4	SH373P3S4
		Custom	SH303PXX	SH303SXX	SH373P3PXX	SH373S3SXXXX	SH373P3SXXXX
	3A 300V	1	SH304P1	SH304S1	SH374P4P1	SH374S4S1	SH374P4S1
		2	SH304P2	SH304S2	SH374P4P2	SH374S4S2	SH374P4S2
		4	SH304P4	SH304S4	SH374P4P4	SH374S4S4	SH374P4S4
		Custom	SH304PXX	SH304SXX	SH374P4PXX	SH374S4SXXXX	SH374P4SXXXX
	3A 300V	1	SH305P1	SH305S1	SH375P5P1	SH375S5S1	SH375P5S1
		2	SH305P2	SH305S2	SH375P5P2	SH375S5S2	SH375P5S2
		4	SH305P4	SH305S4	SH375P5P4	SH375S5S4	SH375P5S4
		Custom	SH305PXX	SH305SXX	SH375P5PXX	SH375S5SXXXX	SH375P5SXXXX
	* 2A 125V	1	SH308P1	SH308S1	SH378P8P1	SH378S8S1	SH378P8S1
		2	SH308P2	SH308S2	SH378P8P2	SH378S8S2	SH378P8S2
		4	SH308P4	SH308S4	SH378P8P4	SH378S8S4	SH378P8S4
		Custom	SH308PXX	SH308SXX	SH378P8PXX	SH378S8SXXXX	SH378P8SXXXX

Consult Factory for 6 & 7 Pole

XX - Indicates "overall length" in meters.
For mechanical, electrical and wiring sequence see page 25.
* Not UL Recognized or CSA Certified.

MOLDED CONNECTOR ASSEMBLIES

STANDARD MICRO-MIZER WIRING SEQUENCE

Panel Mounts and Cable
Assemblies Conductor Color
Code per Contact Position:

DC	
2 CONTACTS	
3.	BRN
4.	BLU
3 CONTACTS	
1.	BRN
3.	BLU
4.	BLK
4 CONTACTS	
1.	BRN
2.	WHT
3.	BLU
4.	BLK
5 CONTACTS	
1.	BRN
2.	WHT
3.	BLU
4.	BLK
5.	GRY
8 CONTACTS	
1.	WHT
2.	BRN
3.	GRN
4.	YEL
5.	GRY
6.	PINK
7.	BLU
8.	RED
AC	
2 CONTACTS	
1.	BRN
2.	BLU
3 CONTACTS	
1.	GRN
2.	RED/BLK
3.	RED/WHT
4 CONTACTS	
1.	RED/BLK
2.	RED/WHT
3.	RED
4.	GRN
5 CONTACTS	
1.	RED/WHT
2.	RED
3.	GRN
4.	RED/YEL
5.	RED/BLK
6 CONTACTS	
1.	RED/WHT
2.	RED
3.	GRN
4.	RED/YEL
5.	RED/BLK
6.	RED/BLU

SENSOR LINK PRODUCT LINE MICRO-MIZER® SPECIFICATIONS

Standard Panel Mounts:

- 22 AWG, 80°C, 300V, PVC Hook-up Wire
- Polyurethane Insert
- Lead Length 12 In.
- Epoxy Filled

Standard AC & DC Metal:

- 22 AWG, PVC Yellow Jacketed Cable
- Nylon Insert (Black for AC, Yellow for DC)
- PVC, Yellow Overmold
- Length 3, 6 and 12 Ft. for AC 1, 2 and 4 Meters for DC

Options

- 22 AWG, Polyurethane Yellow Jacketed Cable
For polyurethane cable add suffix "U"
- 22 AWG, PVC & Polyurethane Yellow Jacketed Shielded Cable
For Shielded Cable add suffix "S"
- Lengths other than standard

Standard DC Plastic:

- 22 AWG, PVC Yellow Jacketed Cable
- Nylon, Black Insert
- PVC, Black Overmold
- Length 1, 2 and 4 Meters

Options

- 22 AWG, Polyurethane Yellow Jacketed Cable
For polyurethane cable add suffix "U"
- 22 AWG, PVC & Polyurethane Yellow Jacketed Shielded Cable
For Shielded Cable add suffix "S"
- Lengths other than standard

Y-Splitter Assemblies:

- 22 AWG, Polyurethane Yellow Jacketed Cable
- Nylon Insert
- PVC Overmold

MICRO-MIZER® AC/DC METAL AND PLASTIC

ELECTRICAL RATING

VOLTAGE: Metal/Plastic-300V

CABLE ASSEMBLIES

COUPLING NUT: Metal-Anodized Aluminum

Plastic-Nylon

Optional-Nickel-plated Brass (Consult Factory)

CONTACTS: Metal/Plastic-Copper Alloy, Gold-plated

INSERT: Metal/Plastic-Nylon

MOLDED HEADS: Metal/Plastic-Polyurethane

O-RINGS: Metal/Plastic-Viton

CABLE: Metal/Plastic-22 AWG: PVC Insulated, Fine Stranded Copper Conductors, Yellow Oil Resistant PVC Jacketed 300V, ST, 105°C. UL Recognized, CSA Certified

PANEL MOUNT ASSEMBLIES

SHELLS: Metal-Anodized Aluminum

Plastic-Nylon

Optional-Nickel-plated Brass (Consult Factory)

CONTACTS: Metal/Plastic-Copper Alloy, Gold-plated

INSERTS: Metal-Nylon

WIRE: Metal/Plastic-22 AWG PVC Insulated, 300V UL Recognized, CSA Certified

ENVIRONMENTAL

PROTECTION: Metal/Plastic-NEMA 6P, IP67 & IP68

OPERATING

AMBIENT: Metal/Plastic--20° to 80°C

CERTIFICATIONS

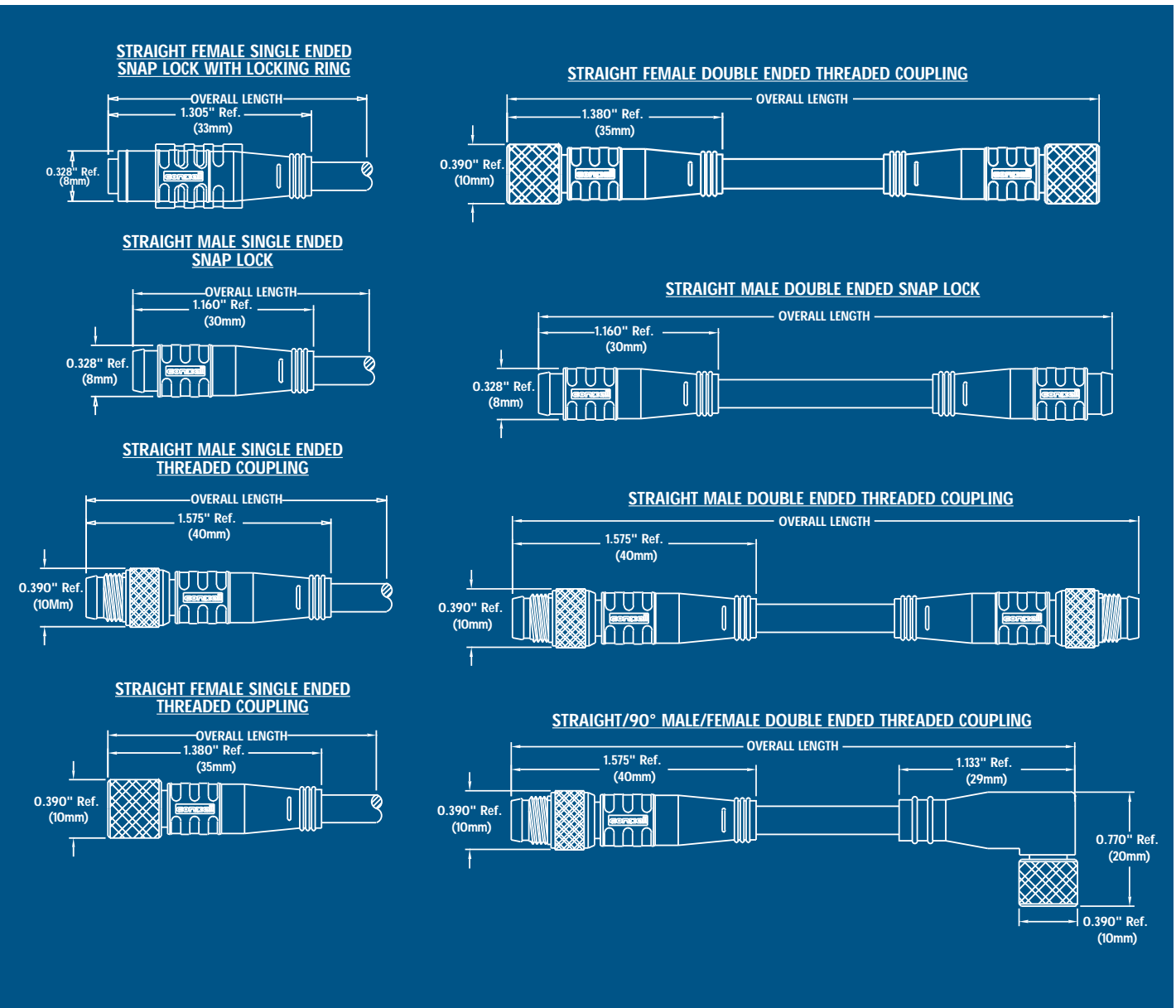
UL: Metal/Plastic-UL Recognized, File No. E150822

cUL: Metal/Plastic-Canadian UL Recognized, File No. E150822

CSA: Metal/Plastic-CSA Certified File No. 181200

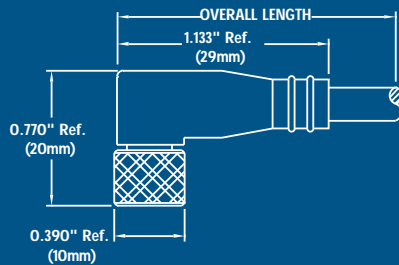
SENSOR-LINK NANO-MIZER®

CABLE ASSEMBLIES

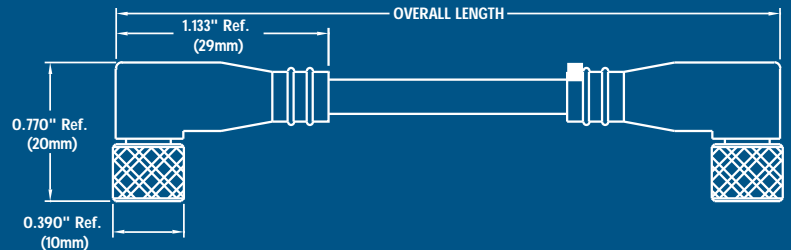


Coupling Options	Rating	Overall Length Meters	Snap Lock Threaded	Snap Lock w/Ring	Snap Lock w/Ring	Receptacle Male .3 Meter Lead	Receptacle Female .3 Meter Lead	Snap Lock Threaded
				Snap Lock Threaded	Snap Lock Threaded			
Face View Male			Straight Male Single Ended	Straight Female Single Ended	90° Rt Angle Female Single Ended			Straight Male/Male Double Ended
	4 A, 125V	2	603P*2	603S*2*	653S*2*			673P3P2
		5	603P*5	603S*5*	653S*5*	613P3	613S.3	673P3P5
		6	603P*6	603S*6*	653S*6*			673P3P6
		Custom	603P*XX	603S*XX*	653S*XX*	613PXX	613SXX	673P3P*XX
	4 A, 125V	2	604P*2	604S*2*	654S*2*			674P4P2
		5	604P*5	604S*5*	654S*5*	614P3	614S.3	674P4P5
		6	604P*6	604S*6*	654S*6*			674P4P6
		Custom	604P*XX	604S*XX*	654S*XX*	614PXX	614SXX	674P4P*XX

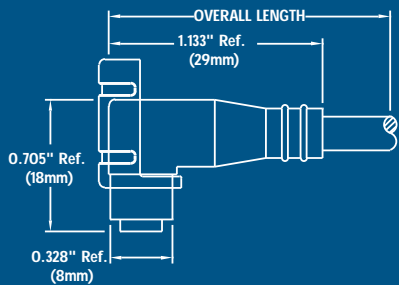
**90° FEMALE SINGLE ENDED
THREADED COUPLING**



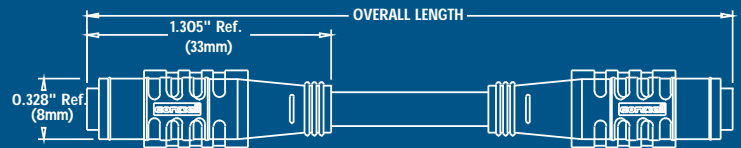
90° FEMALE DOUBLE ENDED THREADED COUPLING



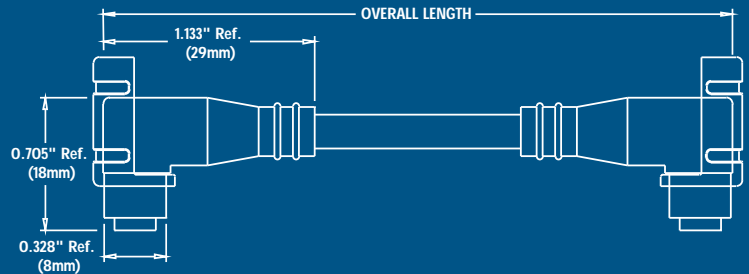
**90° FEMALE SINGLE ENDED SNAP LOCK
WITH LOCKING RING**



STRAIGHT FEMALE DOUBLE ENDED SNAP LOCK WITH LOCKING RING

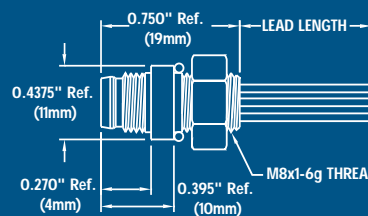


90° FEMALE DOUBLE ENDED SNAP LOCK WITH LOCKING RING

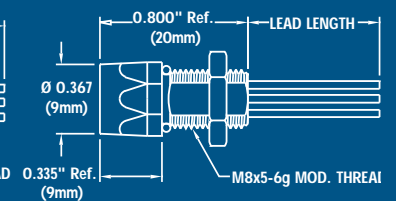


All Snap Lock dimensions same without Locking Ring

MALE RECEPTACLE



FEMALE RECEPTACLE



* Consult factory for shielded version.

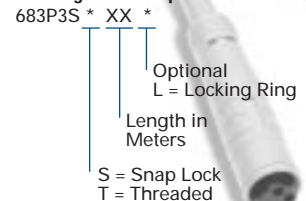
Snap Lock w/Ring	Snap Lock w/Ring	Snap Lock w/Ring	Snap Lock w/Ring	Snap Lock w/Ring
Snap Lock	Snap Lock	Snap Lock	Snap Lock	Snap Lock
Threaded	Threaded	Threaded	Threaded	Threaded
Straight Female/Female Double Ended	Straight Female/Male Double Ended	90° Rt Angle Female/Female Double Ended	Straight to 90° Female/Female Double Ended	Straight to 90° Male/Female Double Ended
673S3S*2*	673S3P*2*	663S3S*2*	683S3S*2*	683P3S*2*
673S3S*5*	673S3P*5*	663S3S*5*	683S3S*5*	683P3S*5*
673S3S*6*	673S3P*6*	663S3S*6*	683S3S*6*	683P3S*6*
673S3S*XX*	673S3P*XX*	663S3S*XX*	683S3S*XX*	683P3S*XX*
674S4S*2*	674S4P*2*	664S4S*2*	684S4S*2*	684P4S*2*
674S4S*5*	674S4P*5*	664S4S*5*	684S4S*5*	684P4S*5*
674S4S*6*	674S4P*6*	664S4S*6*	684S4S*6*	684P4S*6*
674S4S*XX*	674S4P*XX*	664S4S*XX*	684S4S*XX*	684P4S*XX*

Coupling Code Example:

- 604SS2L = Snap Lock with Locking Ring
- 604SS2 = Snap Lock without Locking Ring
- 604SI2 = Threaded

Note: XX - Indicates "overall length / lead length" in meters

Ordering Code Example:



SENSOR-LINK NANO-MIZER[®]

CABLE ASSEMBLIES

SENSOR LINK PRODUCT LINE NANO-MIZER[®] SPECIFICATIONS

ELECTRICAL RATING

VOLTAGE: 300V, 4 Amps

CABLE ASSEMBLIES

COUPLING NUT: Nickel Plated Brass

CONTACTS: Copper Alloy, Gold-Plated

INSERT: G.F. Nylon

MOLDED HEADS: PVC

O-RINGS: Viton

CABLE: .25mm² (or approximately 22 AWG) PVC Insulated, Fine Stranded Copper Conductors, Yellow Oil Resistant PVC Jacketed 300V, ST, 105°C. UL Recognized, CSA Certified

PANEL MOUNT ASSEMBLIES

SHELLS: Nickel plated brass

CONTACTS: Copper Alloy Gold-Plated

INSERTS: G.F. Nylon

WIRE: 22 AWG PVC Insulated, 300V UL Recognized, CSA Certified

ENVIRONMENTAL

PROTECTION: NEMA 6P, IP67 & IP68

OPERATING AMBIENT TEMPERATURE: -20° to 105°C

CERTIFICATIONS

UL: UL Recognized, File No. E-150822

CSA: CSA Certified File No.181200

STANDARD NANO-MIZER WIRING SEQUENCE Panel Mounts and Cable Assemblies Conductor Color Code per Contact Position:

3 CONTACTS

- 1. BRN
- 3. BLU
- 4. BLK



4 CONTACTS

- 1. BRN
- 2. WHT
- 3. BLU
- 4. BLK



CUSTOM OVERMOLDED ASSEMBLY CHECK LIST

FAX to Conxall @ (630) 834 - 8540

A. GENERAL INFORMATION

Company Name: _____ Date: _____

Address: _____

Contact(s): _____

Title(s): _____

Phone: _____ Fax: _____

E-mail Address: _____

Web Address: _____

Manufacturer of: _____

Market(s) Served: _____

Application: _____

B. CUSTOM APPLICATION INFORMATION

Annual Usage: _____ Monthly Usage: _____

Project Volume: Year 1: _____ Year 2: _____ Year 3: _____ Year 4: _____ Year 5: _____

Quote Quantities: _____

Product Application: _____

Environment: _____

C. PROJECT INFORMATION:

Do you have a target price? _____

What is the estimated release date? _____

What is the initial delivery date? _____

Special packaging requirements? _____

Prototypes required: _____

Tooling money available: No _____ Yes _____ Amount \$ _____

CUSTOM OVERMOLDED ASSEMBLY CHECK LIST Page 2

D. CABLE ASSEMBLY INFORMATION:

Cable Description: _____

Manufacturer: _____ Part Number: _____

of Conductors: _____ Gauge: _____ O.D. _____ Tinned: _____ Yes _____ No _____

Jacket Material: _____ Color: _____ O.D. _____

Conductor Insulation: _____ O.D. _____ Color code attached _____

Shield: No _____ Yes: _____ Foil _____ Braid: _____ % Coverage: _____

Second Shield: No _____ Yes: _____ Foil _____ Braid: _____ % Coverage: _____

Primary/Secondary Drain Wire: No _____ / _____ Yes: Gauge _____ / _____

End "A" Connector Description: _____

Overall Cable Assembly Length: _____

End "B" Connector / Operation: _____

Connector _____:

If other than Conxall, Manufacturer's / Part # _____

If No Connector: Strip Jacket: No _____ Yes _____ Length _____

Strip Insulation: No _____ Yes _____ Length _____ Conductor Tinned: Y / N

EMI / RFI Requirements: _____

E. PANEL MOUNT ASSEMBLY:

End "A" Connector: _____

Overall assembly length: _____

End "B" Connector / Operation: _____

Connector: _____

If other than Conxall, Manufacturer's / Part # _____

If No Connector: Strip Insulation: No _____ Yes _____ Length _____ Tinned: Y / N

EMI / RFI Requirements: _____

Drawing(s) Attached: Y / N

Other Information Attached: Y / N

SENSOR-LINK MULTI-PORT JUNCTION BOXES



MINI JUNCTION BOXES

- 8 Ports
- Port receptacles available in aluminum or stainless steel
- Machined receptacle covers available
- Available with cable, customer specified length
- With or without a 12 pole connector
- Or with a 12 pole receptacle mounted to box

Currently in Design

- Nylon receptacle shells / covers
- 6 and 4 port boxes.
- Power indicating LED



DC MICRO JUNCTION BOX

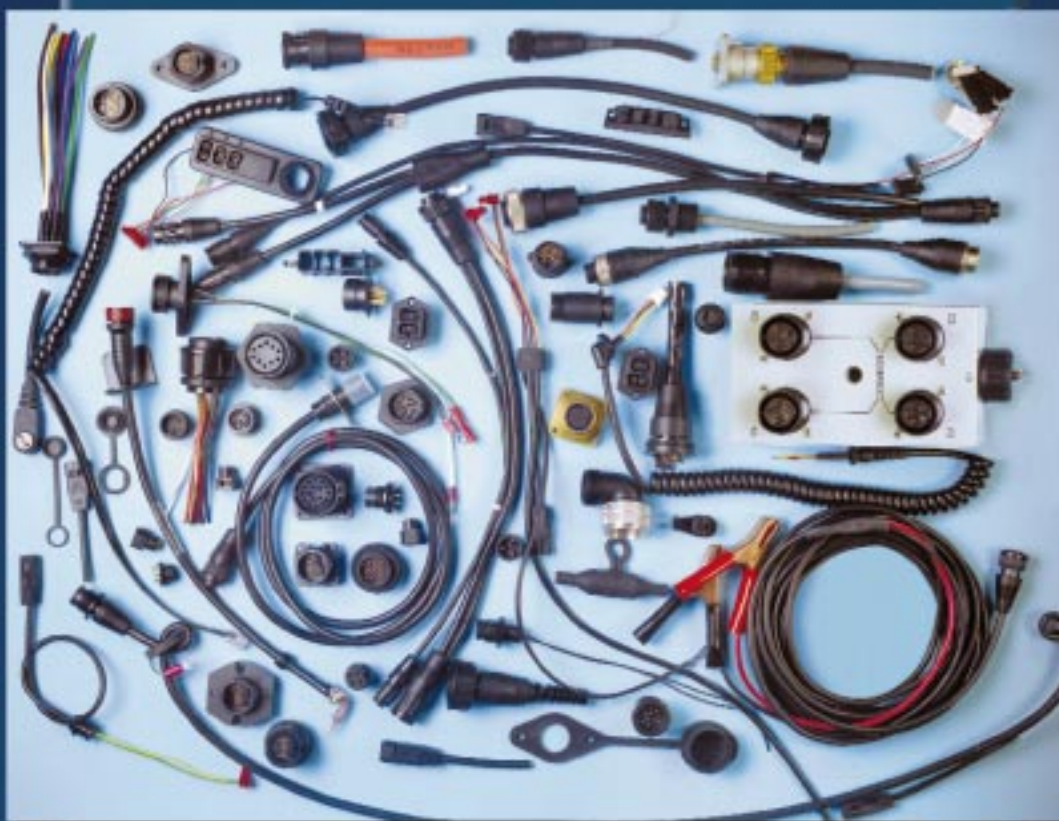
- 8 Ports
- Single key DC port receptacles available in aluminum or stainless steel
- Threaded nylon sealing covers and vinyl protective caps
- With single LED per port
- PNP or NPN
- Available with cable, customer specified length
- With or without a connector

Currently in Design

- AC dual key port receptacles
- 4, 6, 10 and 12 port boxes
- Dual LED per port
- 12 pole receptacle mounted to box



OTHER CUSTOM PRODUCTS FROM CONXALL®



conxall
A Switchcraft Company

601 East Wildwood, Villa Park, Illinois 60181 ■ Telephone (630) 834-7504 ■ Fax (630) 834-8540