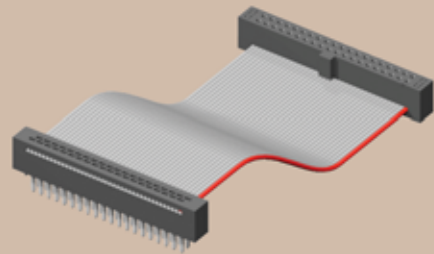
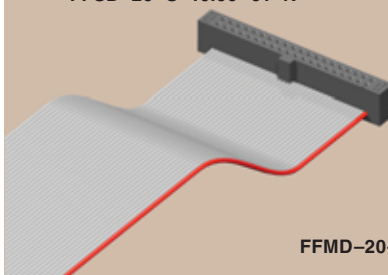




(1,27mm) .050"

FFSD, FFMD SERIES

FFSD-20-S-10.00-01-N



FFMD-20-T-02.00-01-N-R

# TIGER EYE™ FLAT IDC WIRE CABLES

## SPECIFICATIONS

**Mates with:**  
FTS, FTSH, EHF,  
SHF, ESHF

For complete specifications  
see [www.samtec.com?FFSD](http://www.samtec.com?FFSD)

### FFSD

**Insulator Material:**  
PBT



### Contact:

BeCu  
**Plating:**  
10μ" (0,25μm) Au over 50μ"  
(1,27μm) Ni on contact area;  
Sn over 50μ" (1,27μm) Ni  
on balance

### Wire:

30 AWG  
**Current Rating:**  
0.5A

**Operating Temp Range:**  
-40°C to +105°C

**Lead Size Accepted:**  
(0,41mm) .016" SQ

**Contact Resistance:**  
15 mΩ maximum  
delta from initial

**Insertion Depth:**  
(2,64mm) .104" to  
(3,17mm) .125"

**Insertion Force:**  
(Single contact only)  
5oz (1,39N) avg.

**Withdrawal Force:**  
(Single contact only)  
3oz (0,83N) avg.

**RoHS Compliant:**  
Yes

**Note:** This Series is  
non-standard, non-returnable.

## SPECIFICATIONS

**Mates with:**  
FLE\*, SFMC\*

For complete specifications  
see [www.samtec.com?FFMD](http://www.samtec.com?FFMD)

### FFMD

**Insulator Material:**  
Black Glass Filled  
Polyester



### Terminal:

BeCu  
**Plating:**  
Sn over 50μ" (1,27μm) Ni

### Wire:

30 AWG

### Current Rating:

0.5A

### Operating Temp Range:

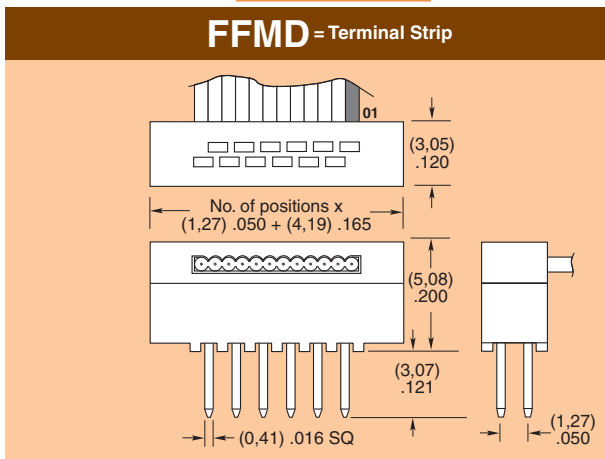
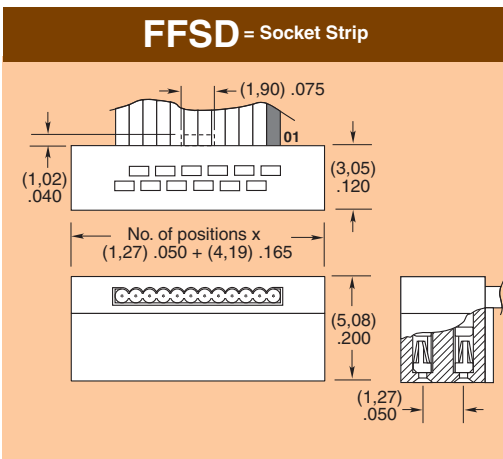
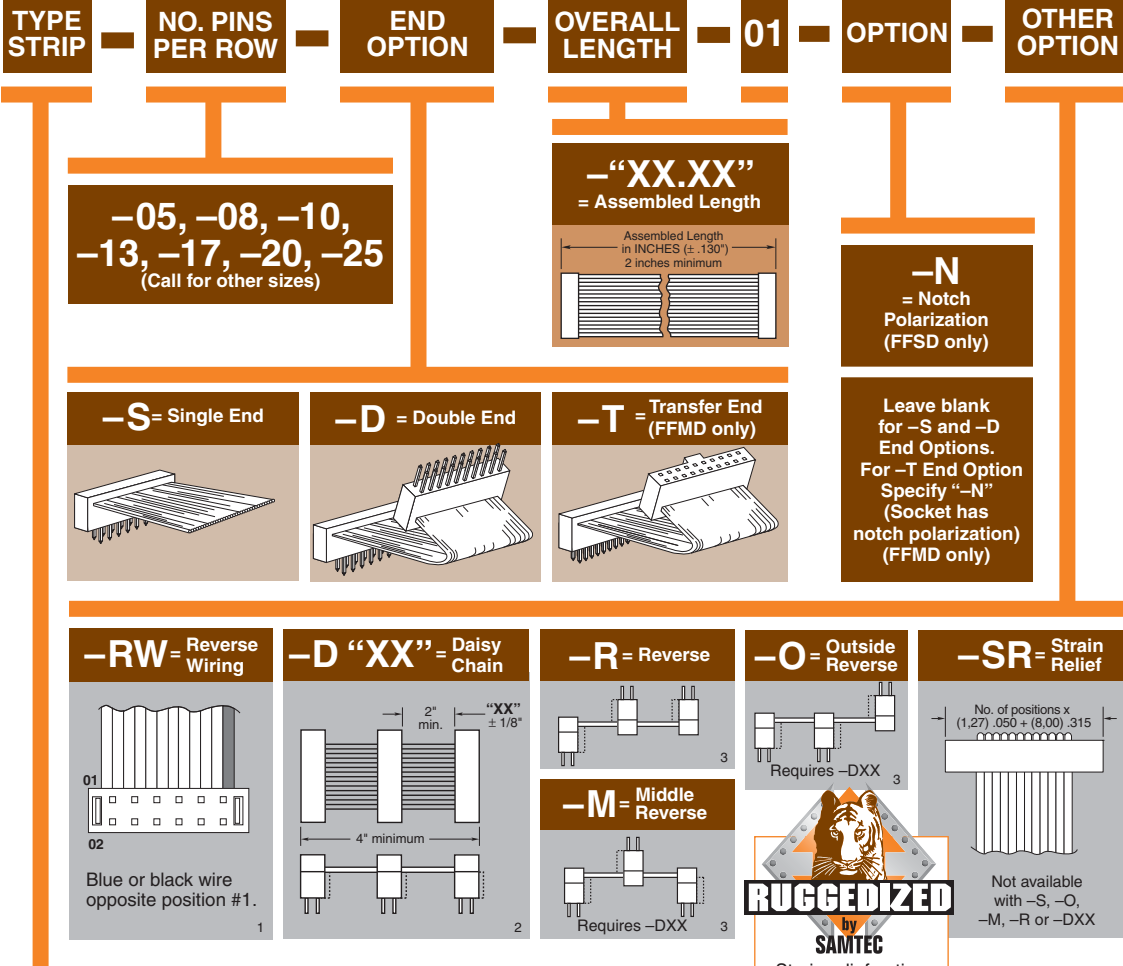
-40°C to +105°C

### RoHS Compliant:

Yes

\***Note:** Standard FFMD callout  
will not mate with FLE, SFMC.  
Must use gold plated callouts.  
(See drawing on web.)  
When mated with a socket,  
Wire 1 mates with Pin 2;  
Wire 2 mates with Pin 1, etc.

**Note:** This Series is  
non-standard, non-returnable.



Due to technical progress, all designs, specifications and components are subject to change without notice.