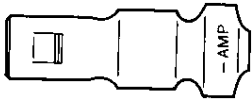
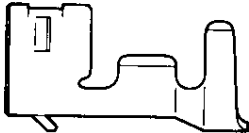
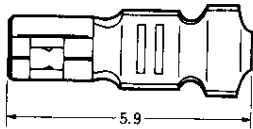


Wire to Board Connectors

CT (Common Termination) Connector System

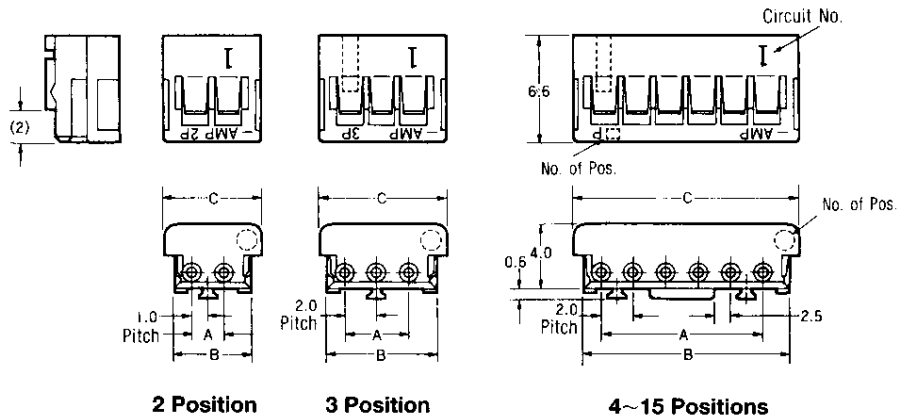
Crimp Type II Connectors <2mm Pitch>

Receptacle Contact



Receptacle Housing

Material : UL94-0 rated,
66 nylon, natural color
(white)



Wire Size AWG (mm ²)	Insulation Dia. (mm)	Material and Finish	Part Number		Part Number of Hand Tool
			S.T.	L.P.	
30~26 (0.05~0.12)	0.65~1.35	Phosphor bronze (0.20mm thickness), tin plated	179609-1	—	234169-1 (411-5711)
26~22 (0.12~0.35)	0.93~1.5	tin plated	179227-1	179518-1	91572-1 (408-8547)

Note : Loose piece contacts, being small in size, are supplied in the form of a comb with 10 pieces on 7.5mm pitch. There is a slit at the root of each contact and it can be snapped off easily.

No. of Pos.	Dimensions			Part Number of Receptacle Housing*
	A	B	C	
2	2.0	4.8	6.0	179228-2
3	4.0	6.8	8.0	179228-3
4	6.0	8.8	10.0	179228-4
5	8.0	10.8	12.0	179228-5
6	10.0	12.8	14.0	179228-6
7	12.0	14.8	16.0	179228-7
8	14.0	16.8	18.0	179228-8
9	16.0	18.8	20.0	179228-9
10	18.0	20.8	22.0	1-179228-0
11	20.0	22.8	24.0	1-179228-1
12	22.0	24.8	26.0	1-179228-2
13	24.0	26.8	28.0	1-179228-3
14	26.0	28.8	30.0	1-179228-4
15	28.0	30.8	32.0	1-179228-5

Note : Use holder for mating
with 2-row type post header.

* The color of housing is natural. Other colors available include blue, yellow and black.
For details contact our Sales Department.