

Wire to Board Connectors

1.5mm Mini VP (Vibration Proof) Wire to Board Connectors

Post Contact and Plug Housing for Wire Application

Post Contact (Strip form)

Part Number :

917571-1 (tin plated)

917571-4 (gold plated)

Applicable Wire : AWG #30-26(0.055 ~0.14mm²) one wire

Wire Stripping Length :

1.5mm

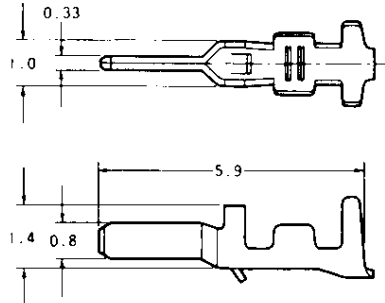
Wire Insulation Diameter :

0.70 ~ 0.98mm

Applicator Part Number :

234517-2

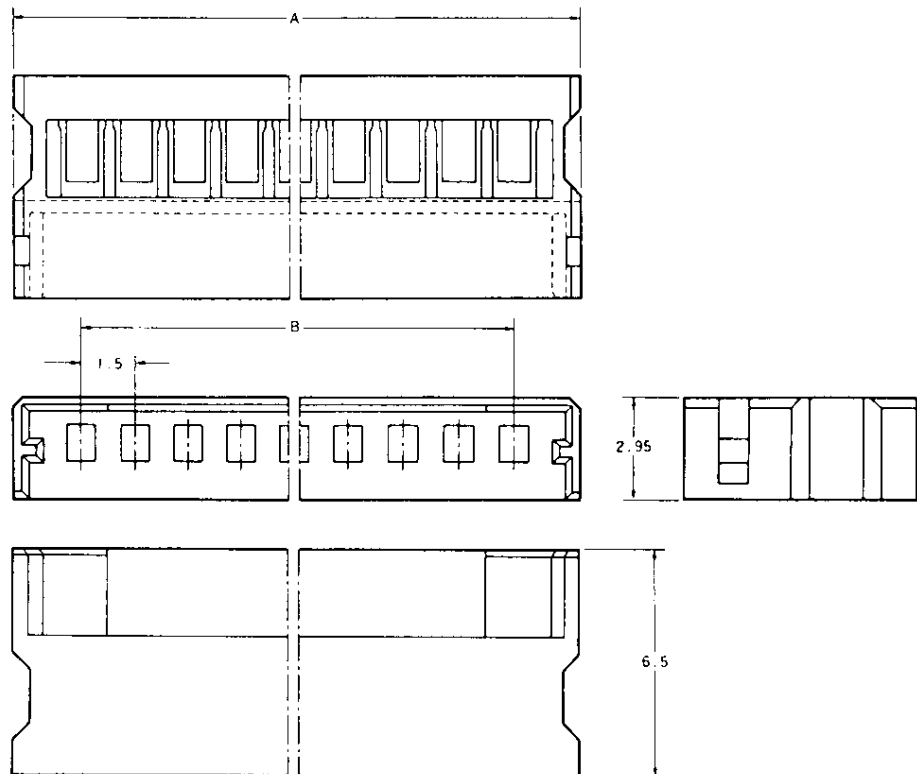
Material : Pre-tinned brass/**Minimum Order Unit :** 15,000/reel



Plug Housing

Material : UL94V-0 rated 66

Nylon, black



No. of Pos.	Dimensions		Housing Part No.	Minimum Order Unit (Piece)
	A	B		
4	8.3	4.5	917572-4	100
7	12.8	9.0	917572-7	100
9	15.8	12.0	917572-9	100
11	18.8	15.0	1-917572-1	100
12	20.3	16.5	1-917572-2	100