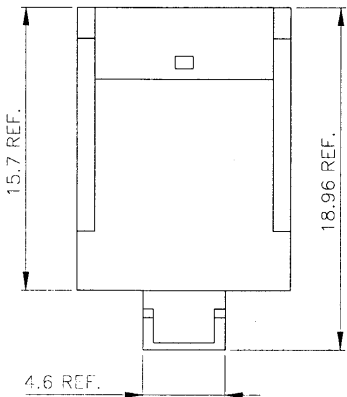
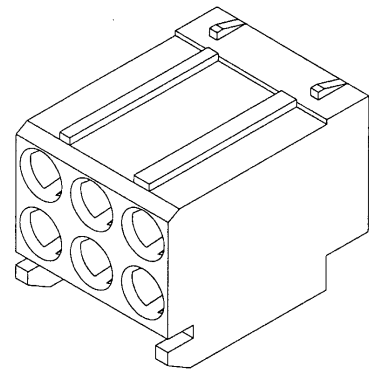
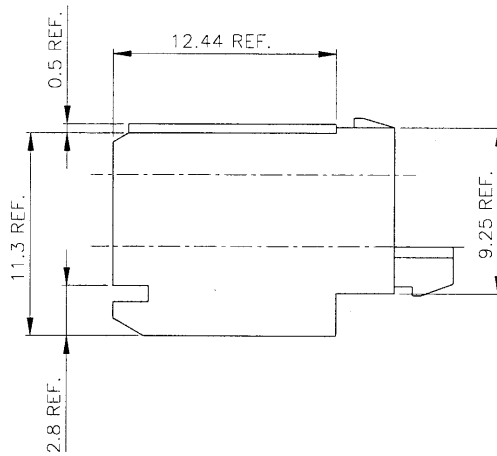
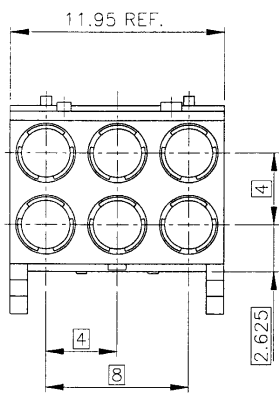


PRODUCT NUMBER 70245-101



NOTES:

- MATERIAL:
THERMOPL. POLYESTER 30% GLASS
FLAME RETARDANT ACC. UL 98-V0
COLOR NATURAL.
- DIMENSIONS ARE FOR REFERENCE ONLY.

mat'l code		SEE NOTE 1		tolerances unless otherwise specified		CUSTOMER COPY		FCI ELECTRONICS	
lfr	ecn no	dr	date	linear		projection	title	www.fciconnect.com	
A	H10290	DAN	9/10/13			⊕	CABLE CONN.		
B	H10402	HBO	9/11/12				MINICOAX/PWR HSG 3x2		
C	H80273	AEN	9/05/26	angles		mm	product family	METRAL (TM)	code
D	H90489	HWE	9/08/16	dr	D. de Bli 9/11/05	scale	size	dwg no	2.1.3
				enfr	J. Dekker 9/11/05	5:1	A3	70245	sheet
				chr	P. Schaik 9/11/05				1 of 1
				addl	H. Coorjmans 9/11/05				
sheet index	revision	D							
	sheet	1							

PDM: Rev:D

STATUS:Released

Printed: Feb 2, 2010