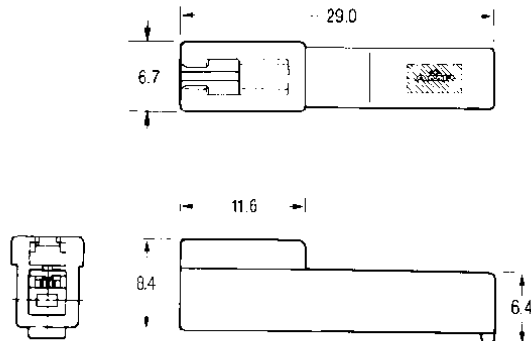


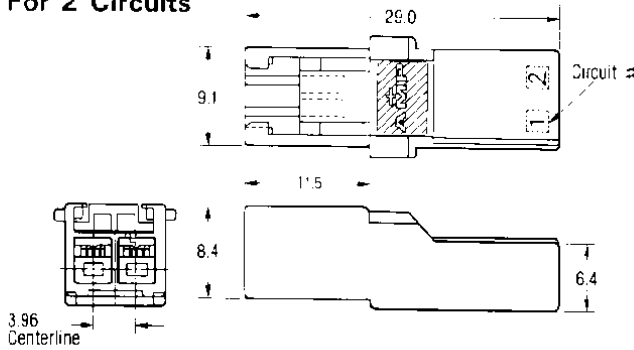
Free-Hanging Type Cap Housings

(Applicable Contact P/N: 175149-□, 175150-□)

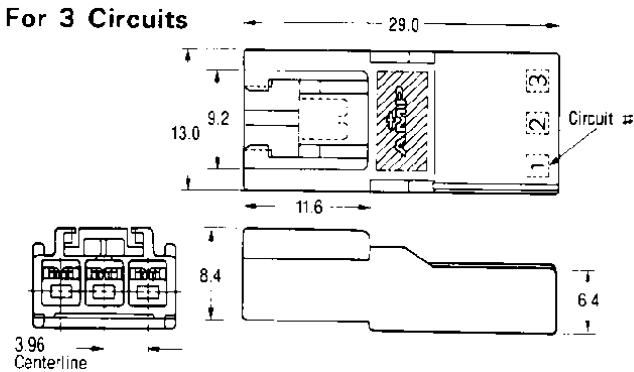
For 1 Circuit



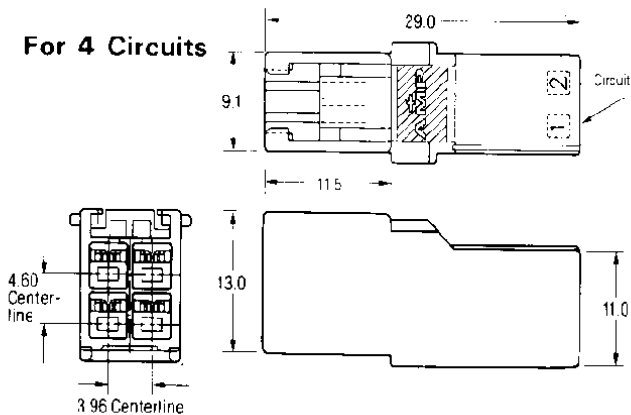
For 2 Circuits



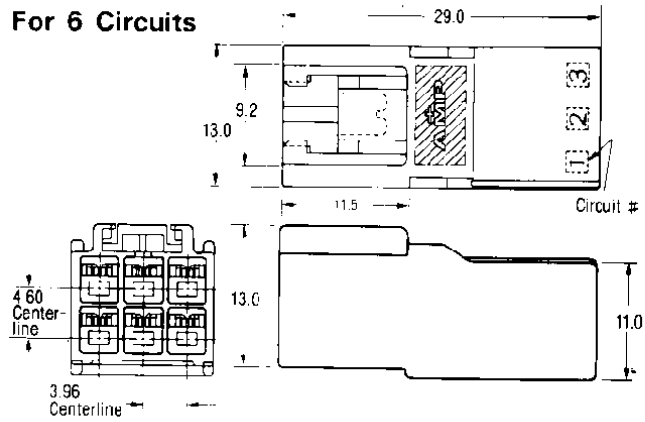
For 3 Circuits



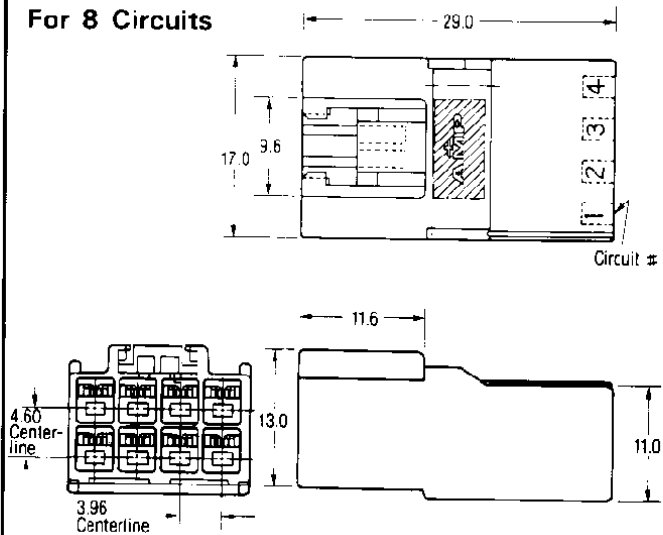
For 4 Circuits



For 6 Circuits



For 8 Circuits



Material: 94V-0 rated; 6/6 Nylon

No. of Circuit	Part Numbers	Housing Color (for suffixed no.)
1	176281-□	-1—Natural
2	176282-□	-2—Red
3	176283-□	-4—Yellow
4	176284-□	-6—Blue
6	176285-□	-9—Black
8	176286-□	

For drawings or technical data, contact your AMP sales engineer or call the AMP Product Information Center: 1-800-522-6752.
 Dimensions are in millimeters unless otherwise specified.
 Specifications subject to change. Consult AMP for latest specifications.