

(MIL Qualified)

Material and Finish

Shell — Steel, cadmium plated

Insert — Approved material per MIL-DTL-24308

Retention Clips — Stainless steel or copper alloy

(Industrial Grade)

Material and Finish

Shell — Steel, zinc plated

Insert — Polyphenylene Sulfide (PPS)

Retention Clips — Stainless steel or copper alloy

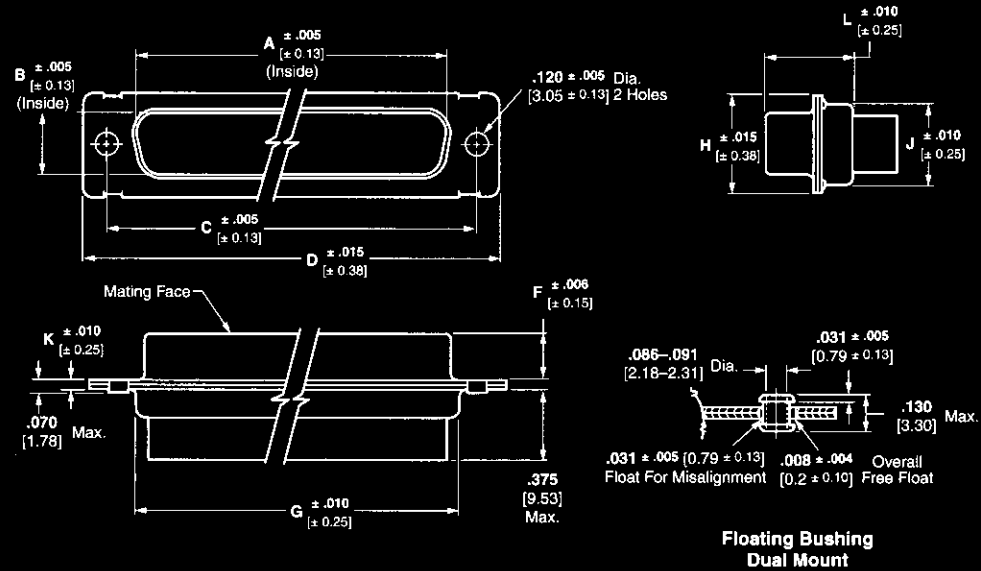
Related Product Data

Cavity Identification — page 5127

Contacts — pages 5128, 5129

Mounting, Mating Dimensions — page 5143

Accessories — pages 5148-5150



Attention: MIL Qualified Connector marking

Connector marking may differ from package marking. All connectors marked per MIL-DTL-24308.

| No. of Contact Pos. (Shell Size) | Dimensions | | | | | | | | | | | MIL Qualified | | | | Description | Industrial Grade ¹ Standard Mount Part No. |
|----------------------------------|--|--------------|---------------------------|--------------|------|-------|------|------|------|------|----------------|---------------|------------------------|----------|-----------------------------|-------------|---|
| | A | B | C | D | F | G | H | J | K | L | Standard Mount | | Floating Bushing Mount | | | | |
| | Military Part No. ² M24308/ | AMP Part No. | Military Part No. M24308/ | AMP Part No. | | | | | | | | | | | | | |
| 15 (1) | .666 | .329 | .984 | 1.213 | .235 | .759 | .494 | .422 | .030 | .422 | 4-264F | 204501-1 | 4-329F | 204525-1 | Plug only | 1218746-1 | |
| 26 (2) | .994 | .329 | 1.312 | 1.541 | .235 | 1.083 | .494 | .422 | .030 | .422 | 4-11F | 204513-2 | 4-307F | 204537-2 | Plug with pins ³ | — | |
| 44 (3) | 1.534 | .329 | 1.852 | 2.088 | .230 | 1.625 | .494 | .422 | .039 | .426 | 4-265F | 204503-1 | 4-330F | 204527-1 | Plug only | 1218746-2 | |
| 62 (4) | 2.182 | .329 | 2.500 | 2.729 | .230 | 2.272 | .494 | .422 | .039 | .426 | 4-12F | 204515-2 | 4-308F | 204539-2 | Plug with pins ³ | — | |
| 78 (5) | 2.079 | .441 | 2.406 | 2.635 | .230 | 2.178 | .605 | .534 | .039 | .426 | 4-266F | 204505-1 | 4-331F | 204529-1 | Plug only | 1218746-3 | |
| 104 (6) | 2.212 | .503 | 2.500 | 2.729 | .230 | 2.302 | .668 | .596 | .039 | .426 | 4-13F | 204517-2 | 4-309F | 204541-2 | Plug with pins ³ | — | |
| | | | | | | | | | | | 4-267F | 204507-1 | 4-332F | 204531-1 | Plug only | 1218746-4 | |
| | | | | | | | | | | | 4-14F | 204519-2 | 4-310F | 204543-2 | Plug with pins ³ | — | |
| | | | | | | | | | | | 4-268F | 204509-1 | 4-333F | 204533-1 | Plug only | 1218746-5 | |
| | | | | | | | | | | | 4-15F | 204521-2 | 4-311F | 204545-2 | Plug with pins ³ | — | |
| | | | | | | | | | | | 4-269F | 204511-1 | 4-334F | 204535-1 | Plug only | 1218746-6 | |
| | | | | | | | | | | | 4-16F | 204523-2 | 4-312F | 204547-2 | Plug with pins ³ | — | |

Notes: See pages 5151 through 5155 (military to AMP Part Number cross reference) for additional part numbers.

¹ Size 22 sockets supplied with receptacles are loose piece.

² "F" is stamped on connectors following M24308 part number as required. "F" designates cadmium shell plating.

³ Meets requirements of MIL-DTL-24308.