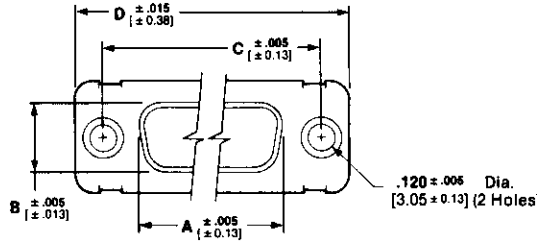


Connector Savers, Series 90, High Density Connectors

Connector savers prolong the life of permanently installed connectors which would otherwise be subjected to repeated cycles of mating and unmating, in applications such as test interfaces or on testing devices.



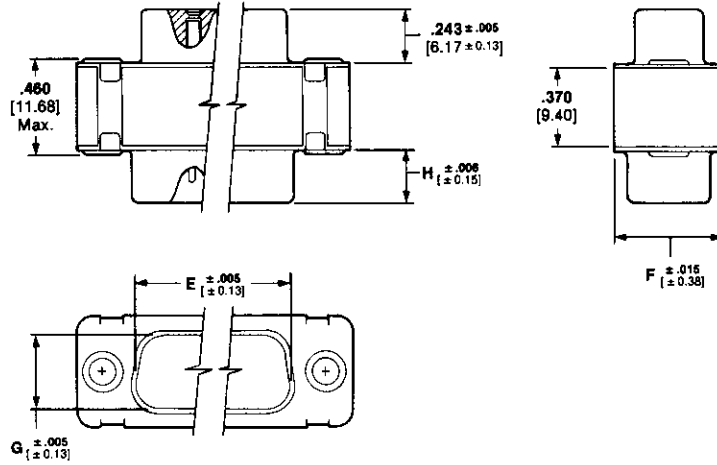
Material and Finish

Standard

- Shell** — Steel, cadmium plated
- Contact Body** — Beryllium copper, .000050 [0.00127] min. gold plate over .000050 [0.00127] min. nickel underplate
- Socket Hood** — Passivated stainless steel
- Insert** — Polyphenylene Sulfide (PPS)
- Spacer** — Black nylon

Non Magnetic

- Shell** — Brass, gold plated
- Contact Body** — Beryllium copper, .000050 [0.00127] min. gold plate over .000100 [0.00254] min. copper underplate
- Socket Hood** — Brass, .000050 [0.00127] min. gold plate over .000100 [0.00254] min. copper underplate
- Insert** — Polyphenylene Sulfide (PPS)
- Spacer** — Black nylon



Dimensions							
A (Outside)	B (Outside)	C	D	E (Inside)	F	G (Inside)	H
.643 16.33	.311 7.9	.984 24.99	1.213 30.81	.666 16.92	.494 12.55	.329 8.36	.235 5.97
.971 24.66	.311 7.9	1.312 33.32	1.541 39.14	.994 25.25	.494 12.55	.329 8.36	.235 5.97
1.511 38.38	.311 7.9	1.852 47.04	2.088 53.04	1.534 38.96	.494 12.55	.329 8.36	.230 5.84
2.159 54.84	.311 7.9	2.500 63.5	2.729 69.32	2.182 55.42	.494 12.55	.329 8.36	.230 5.84
2.064 52.43	.423 10.74	2.406 61.11	2.635 66.93	2.079 52.81	.605 15.37	.441 11.20	.230 5.84
2.189 55.60	.485 12.32	2.500 63.5	2.729 69.32	2.212 56.18	.668 16.97	.503 12.78	.230 5.84

No. of Contact Pos. (Shell Size)	Standard (Cadmium Over Steel)	Non-Magnetic (Gold Over Brass)
15 (1)	211010-1	211010-4
26 (2)	211011-1	211011-4
44 (3)	211012-1	211012-4
62 (4)	211013-1	211013-4
78 (5)	211014-1	211014-4
104 (6)	211015-1	211015-4

Pin and Socket Connectors