

**(MIL Qualified)**

**Material and Finish**

**Shell** — Steel, cadmium plated

**Insert** — Approved material per MIL-DTL-24308

**Retention Clips** — Stainless steel or copper alloy

**(Industrial Grade)**

**Material and Finish**

**Shell** — Steel, zinc plated

**Insert** — Polyphenylene Sulfide (PPS)

**Retention Clips** — Stainless steel or copper alloy

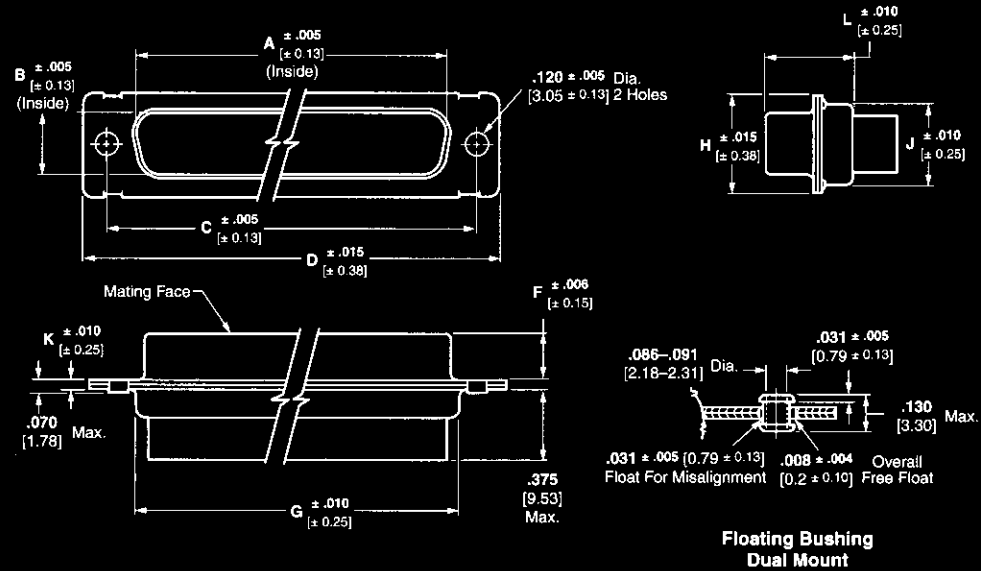
**Related Product Data**

**Cavity Identification** — page 5127

**Contacts** — pages 5128, 5129

**Mounting, Mating Dimensions** — page 5143

**Accessories** — pages 5148-5150



**Attention: MIL Qualified Connector marking**

Connector marking may differ from package marking. All connectors marked per MIL-DTL-24308.

No. of Contact Pos. (Shell Size)	Dimensions											MIL Qualified				Description	Industrial Grade <sup>1</sup> Standard Mount Part No.
	A	B	C	D	F	G	H	J	K	L	Standard Mount		Floating Bushing Mount				
	Military Part No. <sup>2</sup> M24308/	AMP Part No.	Military Part No. M24308/	AMP Part No.													
15 (1)	.666	.329	.984	1.213	.235	.759	.494	.422	.030	.422	4-264F	204501-1	4-329F	204525-1	Plug only	1218746-1	
26 (2)	.994	.329	1.312	1.541	.235	1.083	.494	.422	.030	.422	4-11F	204513-2	4-307F	204537-2	Plug with pins <sup>3</sup>	—	
44 (3)	1.534	.329	1.852	2.088	.230	1.625	.494	.422	.039	.426	4-265F	204503-1	4-330F	204527-1	Plug only	1218746-2	
62 (4)	2.182	.329	2.500	2.729	.230	2.272	.494	.422	.039	.426	4-12F	204515-2	4-308F	204539-2	Plug with pins <sup>3</sup>	—	
78 (5)	2.079	.441	2.406	2.635	.230	2.178	.605	.534	.039	.426	4-266F	204505-1	4-331F	204529-1	Plug only	1218746-3	
104 (6)	2.212	.503	2.500	2.729	.230	2.302	.668	.596	.039	.426	4-13F	204517-2	4-309F	204541-2	Plug with pins <sup>3</sup>	—	
											4-267F	204507-1	4-332F	204531-1	Plug only	1218746-4	
											4-14F	204519-2	4-310F	204543-2	Plug with pins <sup>3</sup>	—	
											4-268F	204509-1	4-333F	204533-1	Plug only	1218746-5	
											4-15F	204521-2	4-311F	204545-2	Plug with pins <sup>3</sup>	—	
											4-269F	204511-1	4-334F	204535-1	Plug only	1218746-6	
											4-16F	204523-2	4-312F	204547-2	Plug with pins <sup>3</sup>	—	

**Notes:** See pages 5151 through 5155 (military to AMP Part Number cross reference) for additional part numbers.

<sup>1</sup> Size 22 sockets supplied with receptacles are loose piece.

<sup>2</sup> "F" is stamped on connectors following M24308 part number as required. "F" designates cadmium shell plating.

<sup>3</sup> Meets requirements of MIL-DTL-24308.