

**(MIL Qualified)**

**Material and Finish**

**Shell** — Steel, cadmium plated

**Insert** — Approved material per MIL-DTL-24308

**Retention Clips** — Stainless steel or copper alloy

**(Industrial Grade)**

**Material and Finish**

**Shell** — Steel, zinc plated

**Insert** — Polyphenylene Sulfide (PPS)

**Retention Clips** — Stainless steel or copper alloy

**Related Product Data**

**Cavity Identification** — page 5127

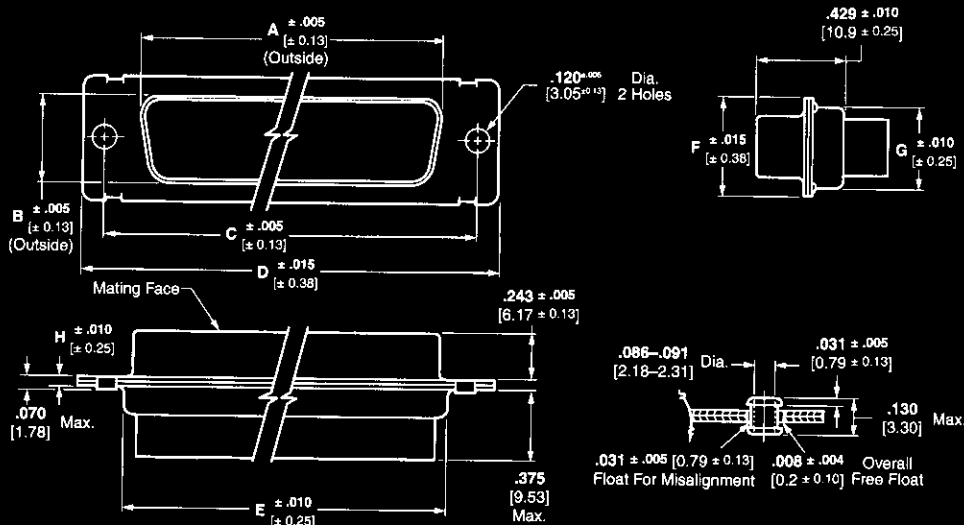
**Contacts** — pages 5128, 5129

**Mounting, Mating Dimensions** — page 5143

**Accessories** — pages 5148-5150

**Attention: Connector marking**

Connector marking may differ from package marking. All connectors marked per MIL-DTL-24308.



**Floating Bushing Dual Mount**



**Clinch Nut Mount**

Pin and Socket Connectors

| No. of Contact Pos. (Shell Size) | Dimensions                             |               |                           |                |                           |               |                           |              | MIL Qualified             |              |                           |              | Description                       | Industrial Grade <sup>3</sup> Clinch Nut Mount Part No. |
|----------------------------------|--|---------------|---------------------------|----------------|---------------------------|---------------|---------------------------|--------------|---------------------------|--------------|---------------------------|--------------|-----------------------------------|---|
|                                  | A                                      | B             | C                         | D              | E                         | F             | G                         | H            | Standard Mount            |              | Floating Bushing Mount    |              |                                   |   |
|                                  | Military Part No. <sup>2</sup> M24308/ | AMP Part No.  | Military Part No. M24308/ | AMP Part No.   | Military Part No. M24308/ | AMP Part No.  | Military Part No. M24308/ | AMP Part No. | Military Part No. M24308/ | AMP Part No. | Military Part No. M24308/ | AMP Part No. |                                   |   |
| 15 (1)                           | .643<br>16.33                          | .311<br>7.9   | .984<br>24.99             | 1.213<br>30.81 | .759<br>19.28             | .494<br>12.55 | .422<br>10.72             | .030<br>0.76 | 2-286F                    | 204500-1     | 2-297F                    | 204524-1     | Recept. only                      | 1218747-1   |
| 26 (2)                           | .971<br>24.66                          | .311<br>7.9   | 1.312<br>33.32            | 1.541<br>39.14 | 1.083<br>27.51            | .494<br>12.55 | .422<br>10.72             | .030<br>0.76 | 2-287F                    | 204502-1     | 2-298F                    | 204526-1     | Recept. only                      | 1218747-2   |
| 44 (3)                           | 1.511<br>38.38                         | .311<br>7.9   | 1.852<br>47.04            | 2.088<br>53.04 | 1.625<br>41.3             | .494<br>12.55 | .422<br>10.72             | .039<br>0.99 | 2-288F                    | 204504-1     | 2-299F                    | 204528-1     | Recept. only                      | 1218747-3   |
| 62 (4)                           | 2.159<br>54.84                         | .311<br>8.36  | 2.500<br>63.5             | 2.729<br>69.32 | 2.272<br>57.7             | .494<br>12.55 | .422<br>10.72             | .039<br>0.99 | 2-289F                    | 204506-1     | 2-300F                    | 204530-1     | Recept. only                      | 1218747-4   |
| 78 (5)                           | 2.064<br>52.43                         | .423<br>10.74 | 2.406<br>61.11            | 2.635<br>66.93 | 2.178<br>55.32            | .605<br>15.37 | .534<br>13.56             | .039<br>0.99 | 2-290F                    | 204508-1     | 2-301F                    | 204532-1     | Recept. only                      | 1218747-5   |
| 104 (6)                          | 2.189<br>55.6                          | .485<br>12.32 | 2.500<br>63.5             | 2.729<br>69.32 | 2.302<br>58.47            | .668<br>16.97 | .596<br>15.14             | .039<br>0.99 | 2-291F                    | 204510-1     | 2-302F                    | 204534-1     | Recept. only                      | 1218747-6   |
|                                  |  |               |                           |                |                           |               |                           |              | 2-16F                     | 204522-2     | 2-33F                     | 204546-2     | Recept. with sockets <sup>1</sup> | —   |

**Notes:** See pages 5151 through 5155 (military to AMP Part Number cross reference) for additional part numbers.

<sup>1</sup> Size 22 sockets supplied with receptacles are loose piece.

<sup>2</sup> "F" is stamped on connectors following M24308 part number as required. "F" designates cadmium shell plating.

<sup>3</sup> Meets requirements of MIL-DTL-24308.