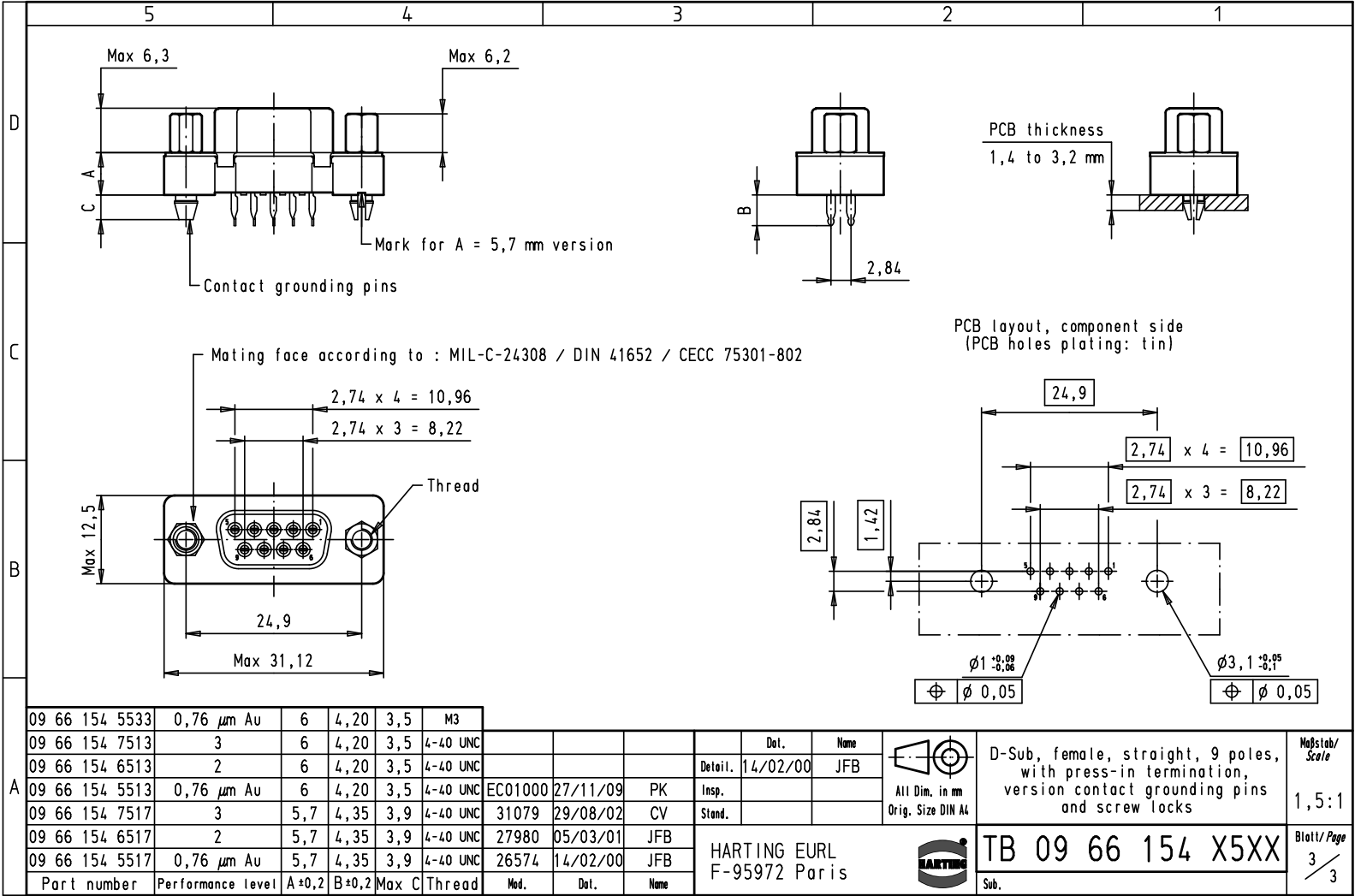


Alle Rechte vorbehalten / All rights reserved



|                |                   |        |        |       |          |         |          |      |                                       |          |     |   |  |  |  |  |  |  |  |
|----------------|-------------------|--------|--------|-------|----------|---------|----------|------|---------------------------------------|----------|-----|---|--|--|--|--|--|--|--|
| 09 66 154 5533 | 0,76 μm Au        | 6      | 4,20   | 3,5   | M3       |         |          |      |                                       |          |     |   |  |  |  |  |  |  |  |
| 09 66 154 7513 | 3                 | 6      | 4,20   | 3,5   | 4-40 UNC |         |          |      |                                       |          |     |   |  |  |  |  |  |  |  |
| 09 66 154 6513 | 2                 | 6      | 4,20   | 3,5   | 4-40 UNC |         |          |      |                                       |          |     |   |  |  |  |  |  |  |  |
| 09 66 154 5513 | 0,76 μm Au        | 6      | 4,20   | 3,5   | 4-40 UNC | EC01000 | 27/11/09 | PK   | Detail.                               | 14/02/00 | JFB | <p>All Dim. in mm<br/>Orig. Size DIN A4</p> | <p>D-Sub, female, straight, 9 poles,<br/>with press-in termination,<br/>version contact grounding pins<br/>and screw locks</p> | <p>Maßstab/<br/>Scale</p> <p>1,5:1</p> |  |  |  |  |  |
| 09 66 154 7517 | 3                 | 5,7    | 4,35   | 3,9   | 4-40 UNC | 31079   | 29/08/02 | CV   | Insp.                                 |          |     |   |  |  |  |  |  |  |  |
| 09 66 154 6517 | 2                 | 5,7    | 4,35   | 3,9   | 4-40 UNC | 27980   | 05/03/01 | JFB  | Stand.                                |          |     |   |  |  |  |  |  |  |  |
| 09 66 154 5517 | 0,76 μm Au        | 5,7    | 4,35   | 3,9   | 4-40 UNC | 26574   | 14/02/00 | JFB  |                                       |          |     |   |  |  |  |  |  |  |  |
| Part number    | Performance level | A ±0,2 | B ±0,2 | Max C | Thread   | Mod.    | Del.     | Name | <p>HARTING EURL<br/>F-95972 Paris</p> |          |     | <p>TB 09 66 154 X5XX</p> <p>Sub.</p>        | <p>Blatt / Page</p> <p>3 / 3</p>   |  |  |  |  |  |  |