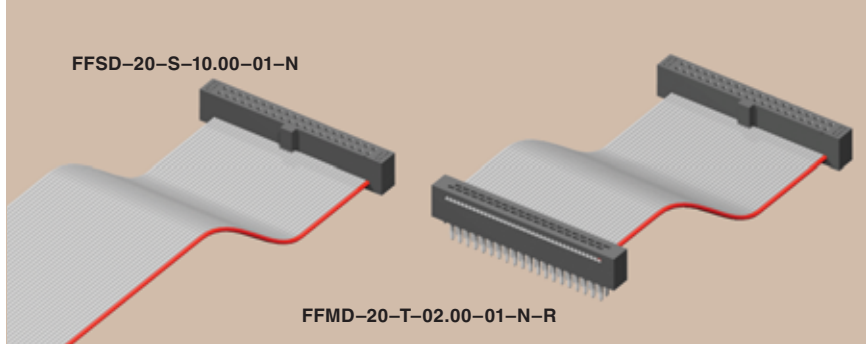




(1,27mm) .050"

FFSD, FFMD SERIES



TIGER EYE™ FLAT IDC WIRE CABLES

SPECIFICATIONS

Mates with:

FTS, FTSH, EHF, SHF, ESHF

For complete specifications see www.samtec.com?FFSD

FFSD

Insulator Material: PBT
Contact: BeCu
Plating: 10µ" (0,25µm) Au over 50µ" (1,27µm) Ni on contact area; Sn over 50µ" (1,27µm) Ni on balance



Wire: 30 AWG
Current Rating: 0.5A
Operating Temp Range: -40°C to +105°C
Lead Size Accepted: (0,41mm) .016" SQ
Contact Resistance: 15 mΩ maximum delta from initial
Insertion Depth: (2,64mm) .104" to (3,17mm) .125"
Insertion Force: (Single contact only) 5oz (1,39N) avg.
Withdrawal Force: (Single contact only) 3oz (0,83N) avg.
RoHS Compliant: Yes

Note: This Series is non-standard, non-returnable.

SPECIFICATIONS

Mates with:

FLE*, SFMC*

For complete specifications see www.samtec.com?FFMD

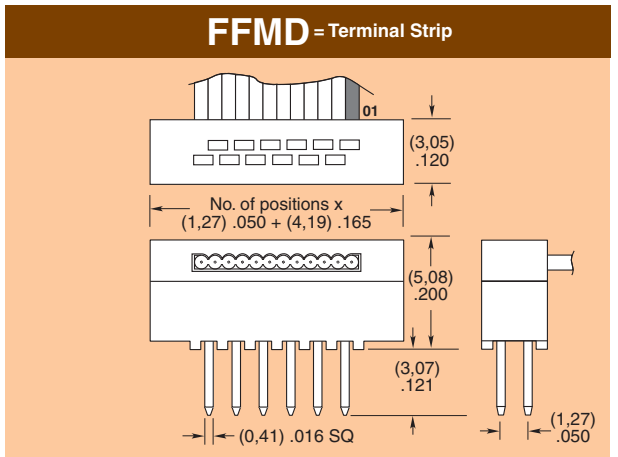
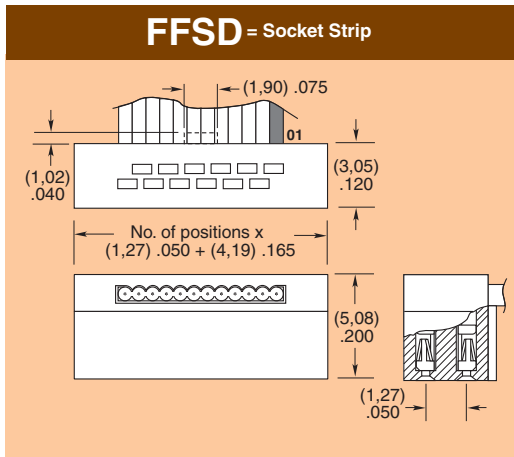
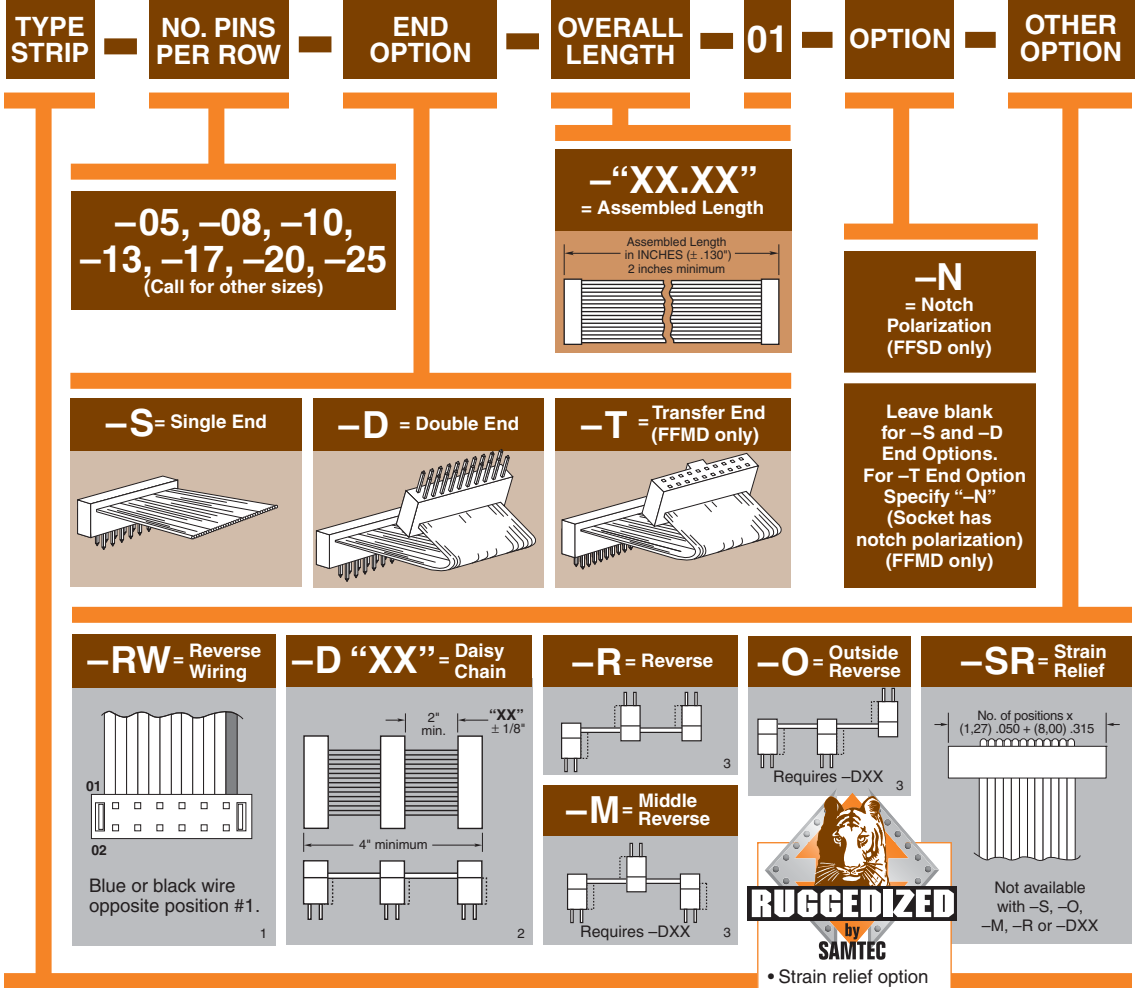
FFMD

Insulator Material: Black Glass Filled Polyester
Terminal: BeCu
Plating: Sn over 50µ" (1,27µm) Ni
Wire: 30 AWG
Current Rating: 0.5A
Operating Temp Range: -40°C to +105°C
RoHS Compliant: Yes



***Note:** Standard FFMD callout will not mate with FLE, SFMC. Must use gold plated callouts. (See drawing on web.)
 When mated with a socket, Wire 1 mates with Pin 2; Wire 2 mates with Pin 1, etc.

Note: This Series is non-standard, non-returnable.



Due to technical progress, all designs, specifications and components are subject to change without notice.

WWW.SAMTEC.COM

SAMTEC USA • Tel: 1-800-SAMTEC-9 or 812-944-6733 SAMTEC SILICON VALLEY • Tel: 408-395-5900 SAMTEC SOUTHERN CALIFORNIA • Tel: 1-800-726-8329
 SAMTEC AMERICA LATINA COMERCIO EXTERIOR LTDA • Tel: (+55 31) 3786 3227 SAMTEC UNITED KINGDOM • Tel: 44 01236 739292 SAMTEC GERMANY • Tel: +49 (0) 89 / 89460-0
 SAMTEC FRANCE • Tel: 33 01 60 95 06 60 SAMTEC ITALY • Tel: 39 039 8690937 SAMTEC NORDIC/BALTIC • Tel: +46-84477280 SAMTEC BENELUX • Tel: 44 01236 739292 SAMTEC ISRAEL • Tel: 972-3-7526600
 SAMTEC INDIA • Tel: +91-90-3272 1612 SAMTEC ASIA PACIFIC • Tel: 65 6745-5955 SAMTEC JAPAN • Tel: 045-475-1385 SAMTEC CHINA • Tel: 86-21-61103766 SAMTEC TAIWAN • Tel: 886-2-2735-6109
 SAMTEC HONG KONG • Tel: 852-26009858 SAMTEC KOREA • Tel: 82-31-717-5685 SAMTEC ANZ • Tel: 613 9512 7747 SAMTEC SOUTH AFRICA • Tel: 27 11 452 8112