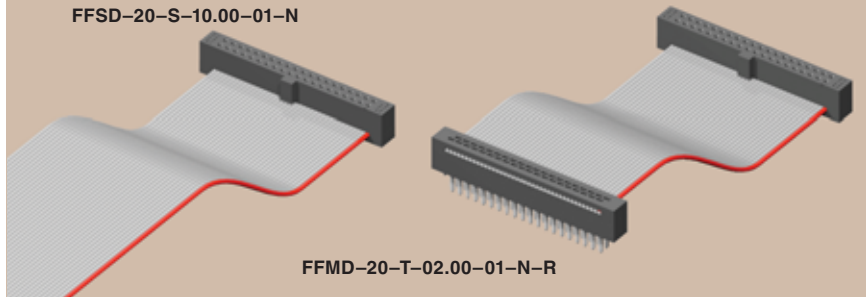




(1,27mm) .050"

FFSD, FFMD SERIES

FFSD-20-S-10.00-01-N



FFMD-20-T-02.00-01-N-R

TIGER EYE™ FLAT IDC WIRE CABLES

SPECIFICATIONS

Mates with:
FTS, FTSH, EHF,
SHF, ESHF

For complete specifications
see www.samtec.com?FFSD

FFSD

Insulator Material: PBT
Contact: BeCu
Plating: 10µ" (0,25µm) Au over 50µ" (1,27µm) Ni on contact area; Sn over 50µ" (1,27µm) Ni on balance
Wire: 30 AWG
Current Rating: 0.5A
Operating Temp Range: -40°C to +105°C
Lead Size Accepted: (0,41mm) .016" SQ
Contact Resistance: 15 mΩ maximum delta from initial
Insertion Depth: (2,64mm) .104" to (3,17mm) .125"
Insertion Force: (Single contact only) 5oz (1,39N) avg.
Withdrawal Force: (Single contact only) 3oz (0,83N) avg.
RoHS Compliant: Yes



Note: This Series is non-standard, non-returnable.

SPECIFICATIONS

Mates with:
FLE*, SFMC*

For complete specifications
see www.samtec.com?FFMD

FFMD

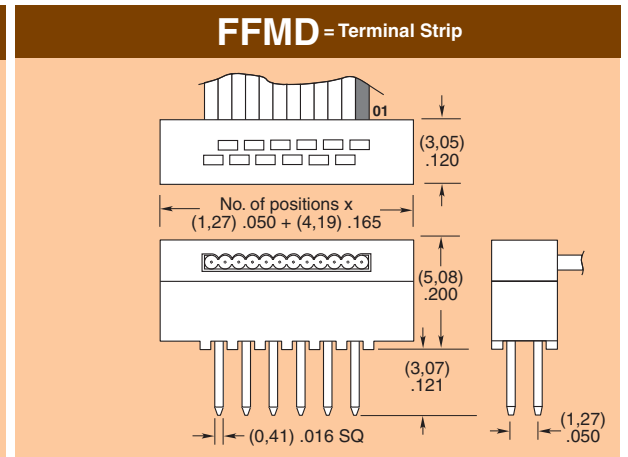
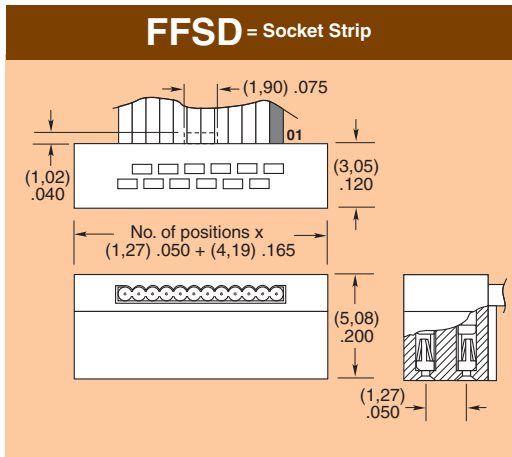
Insulator Material: Black Glass Filled Polyester
Terminal: BeCu
Plating: Sn over 50µ" (1,27µm) Ni
Wire: 30 AWG
Current Rating: 0.5A
Operating Temp Range: -40°C to +105°C
RoHS Compliant: Yes



*Note: Standard FFMD callout will not mate with FLE, SFMC. Must use gold plated callouts. (See drawing on web.)
When mated with a socket, Wire 1 mates with Pin 2; Wire 2 mates with Pin 1, etc.

Note: This Series is non-standard, non-returnable.

TYPE STRIP	NO. PINS PER ROW	END OPTION	OVERALL LENGTH	01	OPTION	OTHER OPTION
	-05, -08, -10, -13, -17, -20, -25 (Call for other sizes)		- "XX.XX" = Assembled Length Assembled Length in INCHES (±.130") 2 inches minimum		-N = Notch Polarization (FFSD only)	Leave blank for -S and -D End Options. For -T End Option Specify "-N" (Socket has notch polarization) (FFMD only)
-S = Single End		-D = Double End				
-RW = Reverse Wiring	-D "XX" = Daisy Chain	-R = Reverse	-O = Outside Reverse			-SR = Strain Relief
Blue or black wire opposite position #1.	2" min. "XX" ± 1/8"	3	Requires -DXX			No. of positions x (1,27) .050 + (8,00) .315 Not available with -S, -O, -M, -R or -DXX
		-M = Middle Reverse				
		Requires -DXX				



Due to technical progress, all designs, specifications and components are subject to change without notice.

WWW.SAMTEC.COM