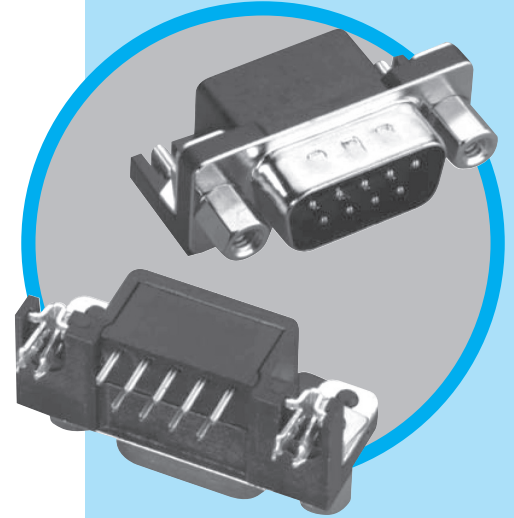


# HTN

D-Sub connectors - Stamped and Formed Contacts

## RIGHT ANGLE HIGH TEMPERATURE CONNECTORS



CHARACTERISTICS

### Specifications

- Connectors according to MIL C24308

| Materials and Platings |                                      |
|------------------------|--------------------------------------|
| <b>Shell</b>           | Steel, tin over nickel plating       |
| <b>Insulator</b>       | Glass-filled thermoplastic, UL 94V-0 |
| <b>Contacts</b>        | Copper alloy, selective gold plating |
| <b>Rear insert</b>     | Brass, tin over nickel plating       |
| <b>Screwlock</b>       | Brass, tin over nickel plating       |
| <b>Grounding clip</b>  | Copper alloy with tin plating        |

| Electrical Data              |                                  |
|------------------------------|----------------------------------|
| <b>Current rating</b>        | 5A                               |
| <b>Voltage rating</b>        | 600V AC/rms 50Hz                 |
| <b>Withstanding voltage</b>  | 1000V AC/rms 50Hz for one minute |
| <b>Insulation resistance</b> | 5000MΩ                           |
| <b>Contact resistance</b>    | 10mΩ max                         |

| Climatic Data                |   |
|------------------------------|---|
| <b>Operating temperature</b> | -55°C to +150°C, resist to short term soldering at 260°C for 20sec. |

| Mechanical Data   |               |              |
|---|---------------|--------------|
| <b>Mating and unmating force</b>  |               |              |
| Unit: kg ( lb)  |               |              |
| No. of Cts  | Mate (max)    | Unmate (min) |
| 9   | 3.05 (6.74)   | 0.36 (0.79)  |
| 15  | 5.09 (11.24)  | 0.46 (1.01)  |
| 25  | 8.44 (18.66)  | 0.81 (1.8)   |
| 37  | 12.51 (27.65) | 1.1 (2.47)   |
| <b>Standard plating thicknesses</b>   |               |              |
| <ul style="list-style-type: none"> <li>• Gold flash</li> <li>• 0.4 μm (15μ") Gold</li> <li>• 0.76 μm (30μ") Gold</li> </ul> |               |              |

DESCRIPTION

The Amphenol HTN series allows the use of a through hole connector with reflow soldering process.

This series gives you Amphenol's high standard of quality and reliability, to meet all of your commercial requirements.

APPLICATIONS

- Industrial
- Telecom
- Any industry standard I / O connections

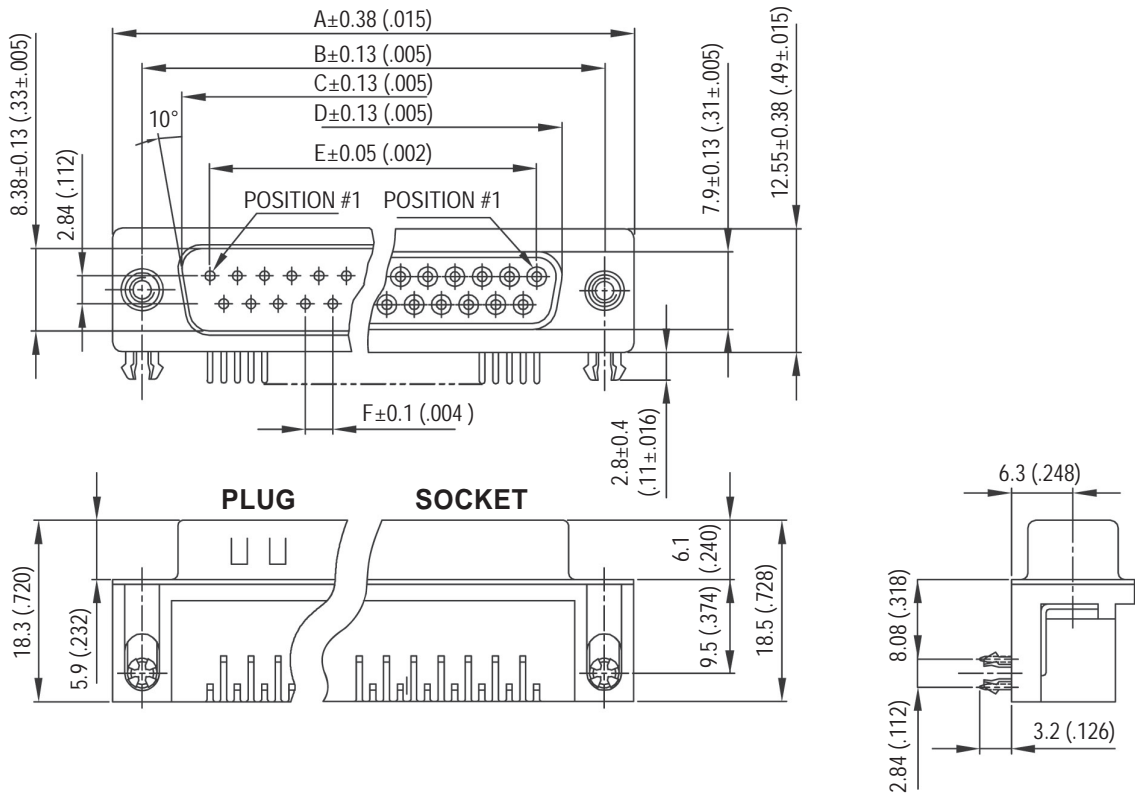
Economical  
right angle PDB,  
high temperature  
connectors

HTN / E17



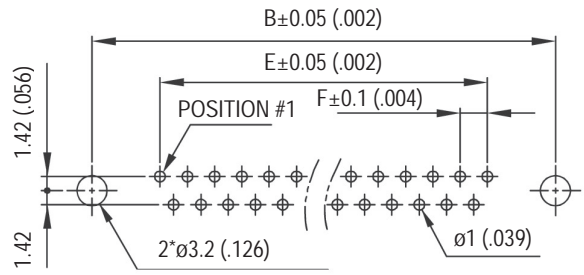
Amphenol

### Shell size dimensions

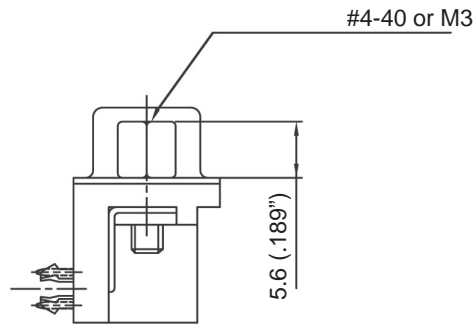


| Nb OF CONTACTS | DIMENSIONS mm (inch) |              |              |              |              |             |
|----------------|----------------------|--------------|--------------|--------------|--------------|-------------|
|                | A                    | B            | C            | D            | E            | F           |
| 9              | 30.81 (1.21)         | 24.99 (.98)  | 16.92 (.67)  | 16.24 (.64)  | 11.09 (.44)  | 2.74 (.108) |
| 15             | 39.14 (1.54)         | 33.32 (1.31) | 25.25 (.99)  | 24.56 (.97)  | 19.39 (.76)  | 2.74 (.108) |
| 25             | 53.04 (2.09)         | 47.04 (1.85) | 38.96 (1.53) | 38.38 (1.51) | 33.24 (1.31) | 2.77 (.109) |
| 37             | 69.32 (2.73)         | 63.50 (2.50) | 55.42 (2.18) | 54.76 (2.16) | 49.86 (1.96) | 2.77 (.109) |

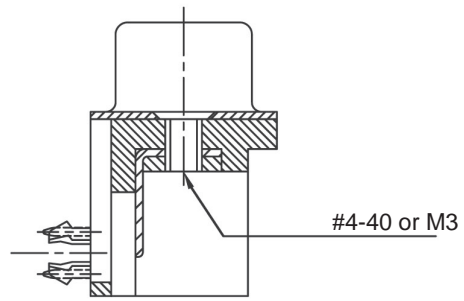
### Recommended P.C.B.Layout



## Panel mounting option

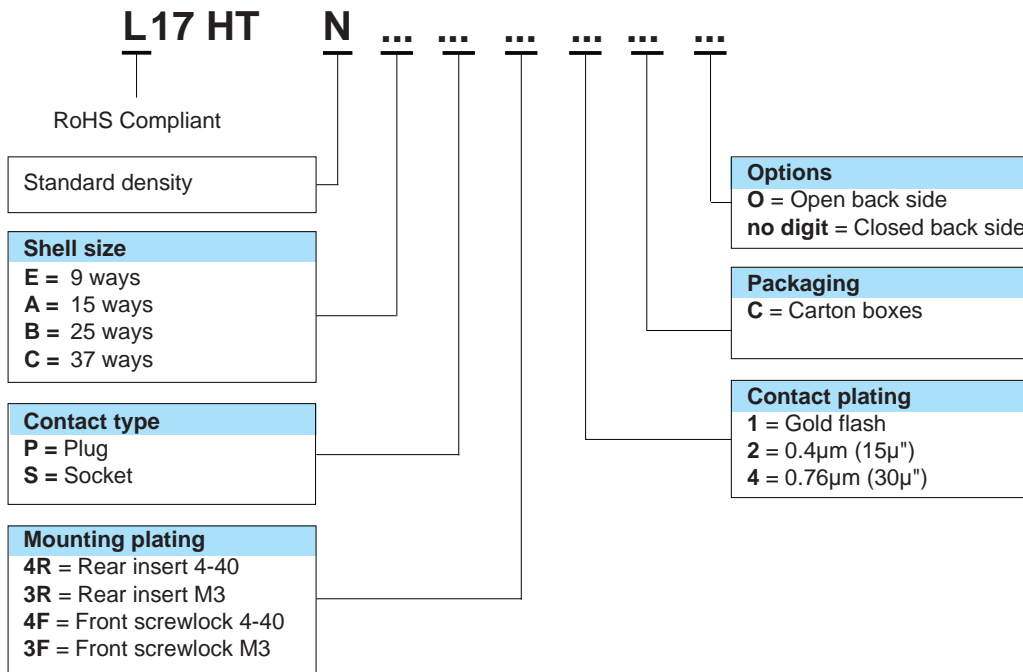


**Front female screwlock**  
**4F/3F**



**Threaded rear insert**  
**4R/3R**

## How to order



*For special request, please consult factory*

