

4

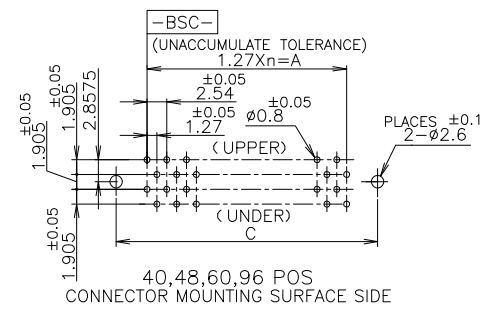
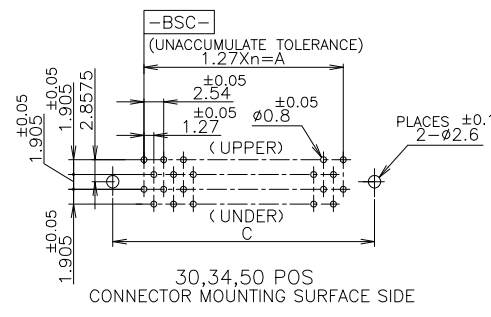
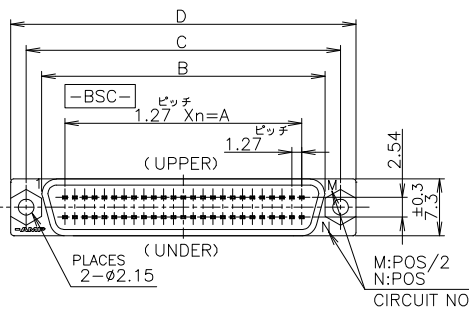
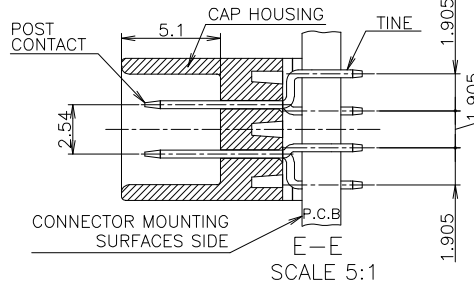
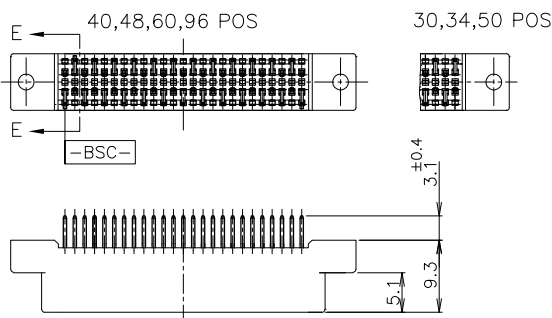
3

2

1

THIS DRAWING IS UNPUBLISHED. RELEASED FOR PUBLICATION OCT. 1984.  
 © COPYRIGHT 1984 BY TYCO ELECTRONICS CORPORATION. ALL RIGHTS RESERVED.

LOC	DIST	REVISIONS	DATE	DWN	APVD
J		変更 DESCRIPTION			
P	LTR				
A	RELEASED		01APROS	T.K	I.E



- 1 USE A P.C.B. WHOSE SURFACES ARE TREATED WITH SOLDER RESIST.
  - 2 SHOW P.C.B LAYOUT FROM THE CONNECTOR-MOUNTING SURFACE SIDE.
  - 3 NUMBER THE CONTACTS IN THE P.C.B OR CONNECTOR CONSECUTIVELY FROM THE [-BSC-] SIDE.
  - 4 WHEN SCREWING THE CONNECTOR TO THE P.C.B, USE M2 SCREW, NUT AND WASHERS.
- △ HOUSING MATERIAL : THERMOPLASTICS (UL94-V0). COLOR:BLACK  
 △ CONTACT MATERIAL : COPPER ALLOY  
 △ FINISH : NICKEL 1.27μ MIN THK. OVERALL SELECTIVE GOLD 0.2μ MIN THK ON CONTACT AREA AND TIN 1μ MIN THK ON TINE AREA.

	-8	96	47	59.69	65.66	69.66	73.66
	-6	48	23	29.21	35.18	39.18	43.18
	-5	34	16	20.32	26.29	30.29	34.29
	-4	60	29	36.83	42.80	46.80	50.80
	-3	50	24	30.48	36.45	40.45	44.45
	-2	40	19	24.13	30.10	34.10	38.10
5173280-1	30	14	17.78	23.75	27.75	31.75	
P/N	POS	n	A	B	C	D	

GENERAL TOLERANCE  
 一般公差

10 ≥	±0.2
30 ≥	> 10: ±0.25
100 ≥	> 30: ±0.3
ANGLES: ±3°	

THIS DRAWING IS A CONTROLLED DOCUMENT.

DIMENSIONS: 単位: 概 MM	TOLERANCES UNLESS OTHERWISE SPECIFIED: 一般公差	DWN T.KAWAMAE 01APROS	01APROS												
	<table border="1"> <tr><td>0 PLC</td><td>±</td></tr> <tr><td>1 PLC</td><td>-</td></tr> <tr><td>2 PLC</td><td>-</td></tr> <tr><td>3 PLC</td><td>-</td></tr> <tr><td>4 PLC</td><td>-</td></tr> <tr><td>ANGLES</td><td>±</td></tr> </table>	0 PLC	±	1 PLC	-	2 PLC	-	3 PLC	-	4 PLC	-	ANGLES	±	CHK I.NOMOTO 01APROS	APVD I.NOMOTO 01APROS
	0 PLC	±													
1 PLC	-														
2 PLC	-														
3 PLC	-														
4 PLC	-														
ANGLES	±														
MATERIAL 材料	FINISH 仕上	<b>tyco</b> <b>Electronics</b> Tyco Electronics AMP K.K. Kawasaki, Japan													
PRODUCT SPEC 製品規格 <b>108-60036</b>		NAME 名称 CAP ASSY VERTICAL AMPLITE 050 SERIES I B-TO-B CONN.													
APPLICATION SPEC 取付適用規格		SIZE A3	CAGE CODE 00779 DRAWING NO 番号 5173280												
WEIGHT 重量		RESTRICTED TO 限定													
CUSTOMER DRAWING		SCALE 尺度 2:1	SHEET 1 OF 3												

4

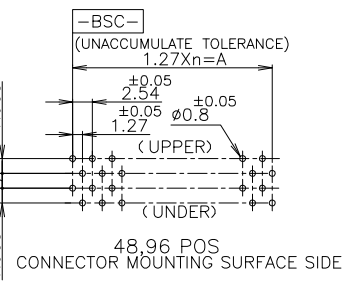
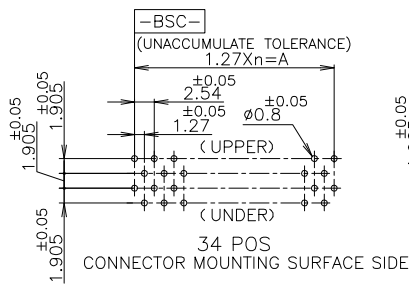
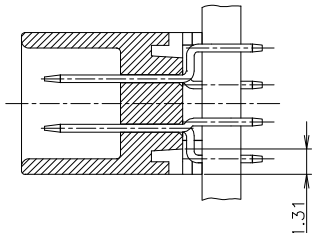
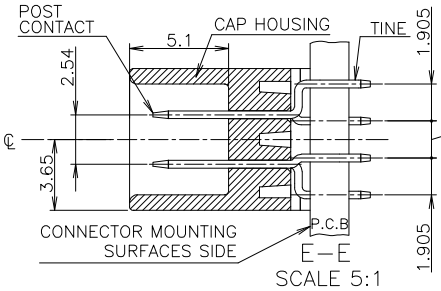
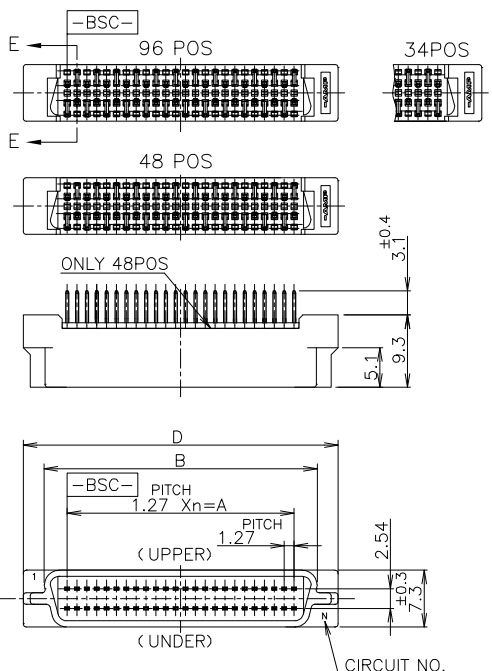
3

2

1

THIS DRAWING IS UNPUBLISHED. RELEASED FOR PUBLICATION OCT. 1984.  
 © COPYRIGHT 1984 BY TYCO ELECTRONICS CORPORATION. ALL RIGHTS RESERVED.

LOC	DIST	REVISIONS			
P	LTR	DESCRIPTION	DATE	DWN	APVD
-	-	SEE SHEET 1	-	-	-



- 1 USE A P.C.B. WHOSE SURFACES ARE TREATED WITH SOLDER RESIST.
- 2 SHOW P.C.B. LAYOUT FROM THE CONNECTOR-MOUNTING SURFACE SIDE.
- 3 NUMBER THE CONTACTS IN THE P.C.B OR CONNECTOR CONSECUTIVELY FROM THE [-BSC] SIDE.

- △ HOUSING MATERIAL : THERMOPLASTICS (UL94-V0). COLOR:BLACK
- △ CONTACT MATERIAL : COPPER ALLOY
- △ FINISH : NICKEL 1.27μ MIN THK. OVERALL SELECTIVE GOLD 0.2μ MIN THK ON CONTACT AREA AND TIN 1μ MIN THK ON TINE AREA.

2-	-8	96	47	59.69	65.66	71.00
2-	-6	48	23	29.21	35.18	40.52
2-5173280-5		34	16	20.32	26.29	31.63

P/N	極数	n	A	B	D
-----	----	---	---	---	---

GENERAL TOLERANCE	
10 ≧ : ±0.2	
30 ≧ > 10 : ±0.25	
100 ≧ > 30 : ±0.3	
ANGLES : ±3°	

THIS DRAWING IS A CONTROLLED DOCUMENT.

DIMENSIONS: 単位: 概 MM	TOLERANCES UNLESS OTHERWISE SPECIFIED: 一般公差
0 PLC	± -
1 PLC	± -
2 PLC	± -
3 PLC	± -
4 PLC	± -
ANGLES	± -

MATERIAL 材料 SEE △ △  
FINISH 仕上 SEE △

tyco Electronics Tyco Electronics AMP K.K. Kawasaki, Japan

NAME 名称 CAP ASSY VERTICAL  
AMPLIMITE .050 SERIES I B-TO-B CONN.

SIZE A3 CAGE CODE 00779 DRAWING NO. 5173280 RESTRICTED TO

CUSTOMER DRAWING SCALE 尺度 2:1 SHEET 2 OF 3 REV A

4

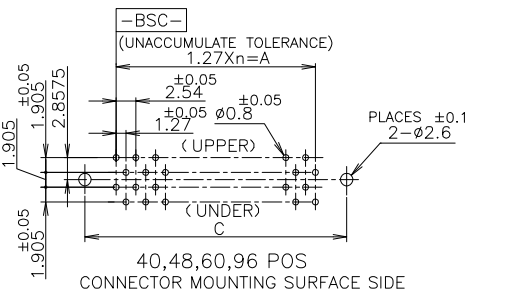
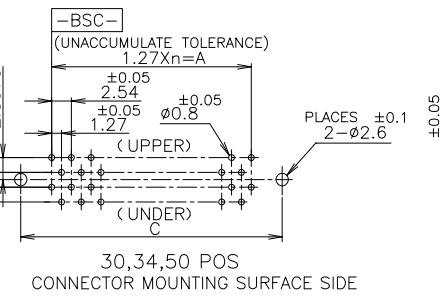
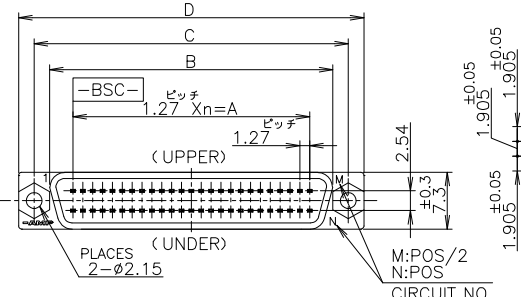
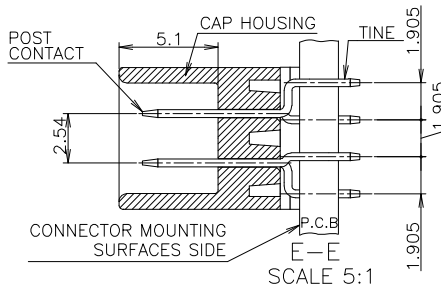
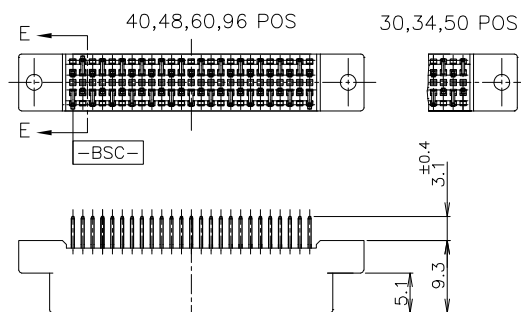
3

2

1

THIS DRAWING IS UNPUBLISHED. RELEASED FOR PUBLICATION OCT. 1984.  
 © COPYRIGHT 1984 BY TYCO ELECTRONICS CORPORATION. ALL RIGHTS RESERVED.

LOC	DIST	REVISIONS				
P	LTR	DESCRIPTION	DATE	DWN	APVD	
-	-	SEE SHEET 1	-	-	-	



- 1 USE A P.C.B. WHOSE SURFACES ARE TREATED WITH SOLDER RESIST.
  - 2 SHOW P.C.B LAYOUT FROM THE CONNECTOR-MOUNTING SURFACE SIDE.
  - 3 NUMBER THE CONTACTS IN THE P.C.B OR CONNECTOR CONSECUTIVELY FROM THE [-BSC-] SIDE.
  - 4 WHEN SCREWING THE CONNECTOR TO THE P.C.B, USE M2 SCREW, NUT AND WASHERS.
- △ HOUSING MATERIAL : THERMOPLASTICS (UL94-V0). COLOR:BLACK  
 △ CONTACT MATERIAL : COPPER ALLOY  
 △ FINISH : NICKEL 1.27μ MIN THK. OVERALL SELECTIVE GOLD 0.76μ MIN THK ON CONTACT AREA AND TIN 1μ MIN THK ON TINE AREA.

P/N	POS	n	A	B	C	D	
6-	-8	96	47	59.69	65.66	69.66	73.66
6-	-6	48	23	29.21	35.18	39.18	43.18
6-	-5	34	16	20.32	26.29	30.29	34.29
6-	-4	60	29	36.83	42.80	46.80	50.80
6-	-3	50	24	30.48	36.45	40.45	44.45
6-	-2	40	19	24.13	30.10	34.10	38.10
6-5173280-1	30	14	17.78	23.75	27.75	31.75	

GENERAL TOLERANCE	
10 ≥	±0.2
30 ≥ > 10	±0.25
100 ≥ > 30	±0.3
ANGLES: ±3°	

DIMENSIONS:		TOLERANCES UNLESS OTHERWISE SPECIFIED:	
単位: 概	MM	一般公差	
0 PLC	±	1 PLC	±
1 PLC	±	2 PLC	±
2 PLC	±	3 PLC	±
3 PLC	±	4 PLC	±
4 PLC	±	ANGLES	±

DWN	-
CHK	-
APVD	-
PRODUCT SPEC	-
APPLICATION SPEC	-
WEIGHT	-

**tyco Electronics** Tyco Electronics AMP K.K. Kawasaki, Japan

NAME: CAP ASSY VERTICAL  
 AMPLIMITE .050 SERIES I B-TO-B CONN.

SIZE: A3 CAGE CODE: 00779 DRAWING NO: 5173280

CUSTOMER DRAWING SCALE: 2:1 SHEET: 3 OF 3 REV: A