



## AMPLIMITE Subminiature D Type Connectors (Continued)

### HDP-20 Connector Contacts, Precision Formed

**Contact Size 20 DF**  
**Pin Diameter 1.02 [.040]**

**Material and Finish:**

**Pin** — Brass

**Socket** — Phosphor bronze

**Plated**

**A** — Select — Gold flash over nickel on entire contact, with additional 0.00376 [.003030] gold on mating end

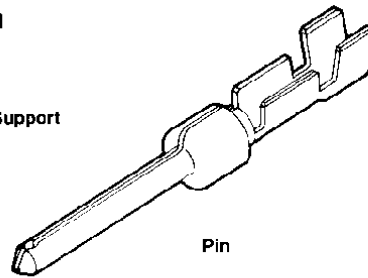
**B** — Duplex — 0.00076 [.00030] gold on mating end, tin-lead on termination end, with entire contact nickel underplated

**C** — Gold flash over nickel on entire contact

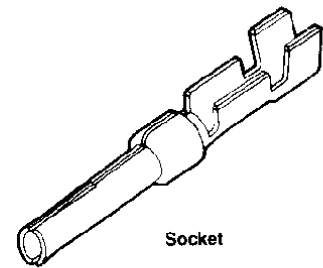
**D** — Duplex — Gold flash on mating end, tin-lead on termination end, with entire contact nickel underplated

**Crimp Snap-In Contacts**

With Insulation Support



Pin



Socket

**Related Product Data:**

**Connectors used with:**

**HDP** — Page 512

**Application Tooling**

AMPOMATOR C.S. IV+ Lead-Making Machine

**Technical Documents:**

**Product Specification** — 108-40005

**Application Specifications**

114-10000

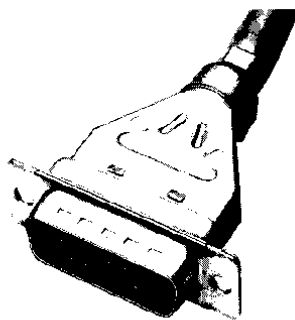
114-40030

| Wire Size Range<br>AWG<br>[mm] | Ins. Dia.<br>Max. | Contact Finish<br>(Plating Code) | Contact Part Numbers |            |            |            | Hand Tools for Loose Form Contacts |  |  |
|--------------------------------|-------------------|----------------------------------|----------------------|------------|------------|------------|------------------------------------|--|--|
|                                |                   |                                  | Pin                  |            | Socket     |            | PRO-CRIMPER II<br>Hand Tool        | CERTI-CRIMP<br>Hand Tool<br>(Color Code) | Applicators*<br>for Strip Form<br>Contacts |
|                                |                   |                                  | Strip Form           | Loose Form | Strip Form | Loose Form |                                    |  |  |
| 28-24<br>0.08-0.2              | 1.02<br>.340      | A                                | 66507-3              | 66507-9    | 66505-3    | 66505-9    | 58448-2                            | 90302-1<br>(Blue Dot)                    | 466423-4**<br>466901-1***                  |
|                                |                   | B                                | 3-66507-0            | 5-66507-7  | 6-66505-0  | 6-66505-2  |                                    |  |  |
|                                |                   | C                                | 66507-4              | 1-66507-0  | 66505-4    | 1-66505-0  |                                    |  |  |
|                                |                   | D                                | 3-66507-1            | 5-66507-9  | 5-66505-7  | 5-66505-9  |                                    |  |  |
|                                | 1.52<br>.060      | A                                | 66682-2              | 66682-4    | 66683-2    | 66683-4    | —                                  | 90374-1<br>(Black Dot)                   | 466963-1***                                |
|                                |                   | B                                | 66682-9              | 1-66682-1  | 1-66683-0  | 1-66683-2  |                                    |  |  |
|                                |                   | C                                | 66682-6              | —          | 66683-7    | 66683-9    |                                    |  |  |
|                                |                   | D                                | —                    | —          | —          | —          |                                    |  |  |
| 26-22<br>0.15-0.4              | 1.27<br>.050      | A                                | 745254-2             | 745254-6   | 745253-2   | 745253-6   | —                                  | 90406-1<br>(Yellow Dot)                  | 466968-1***                                |
|                                |                   | B                                | 1-745254-4           | 1-745254-6 | 1-745253-4 | 1-745253-6 |                                    |  |  |
|                                |                   | C                                | 745254-3             | 745254-7   | 745253-3   | 745253-7   |                                    |  |  |
|                                |                   | D                                | 1-745254-1           | 1-745254-3 | 1-745253-1 | 1-745253-3 |                                    |  |  |
| 24-20<br>0.2-0.6               | 1.52<br>060       | A                                | 66506-3              | 66506-9    | 66504-3    | 66504-9    | 59448-2                            | 90302-1<br>(Red Dot)                     | 466422-4***<br>466900-1***                 |
|                                |                   | B                                | 2-66506-4            | 5-66506-7  | 5-66504-9  | 6-66504-0  |                                    |  |  |
|                                |                   | C                                | 66506-4              | 1-66506-0  | 66504-4    | 1-66504-0  |                                    |  |  |
|                                |                   | D                                | 2-66506-5            | 5-66506-9  | 5-66504-6  | 5-66504-7  |                                    |  |  |

\*For Part Nos. of Special Applicators and Applicators for other model machines, call the AMP Tooling Assistance Center at 1-800-722-1111.

\*\*For use with AMP-O-LECTRIC Model "G" Terminating Machine.

\*\*\*For use with AMP-O-MATIC Model II Stripper-Crimper Machine.



**Each kit contains:**

- Connector
- Inner shield
- Outer shield

Contacts and ferrules must be purchased separately.

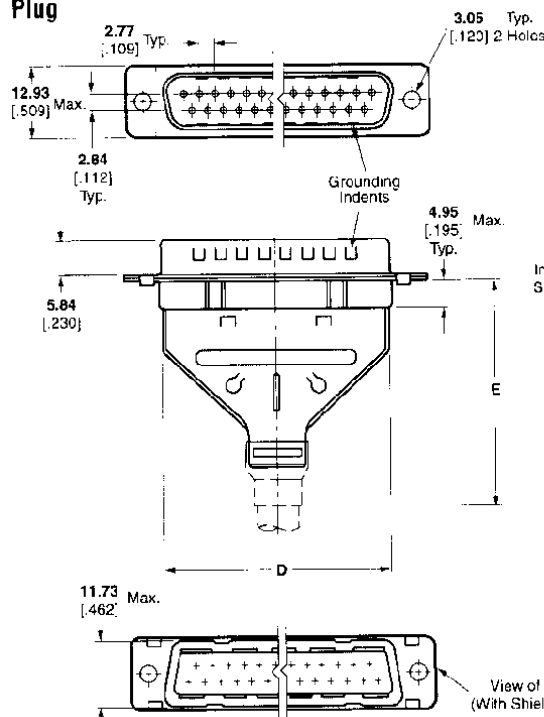
**Material and Finish:**

**Connector Shells** — Steel, tin plated

**Connector Insert** — 94V-0 rated thermoplastic, black

**Shield** — Steel, tin plated

**Plug**



**Technical Documents:**

**Product Specifications** —

108-40005

108-40030

**Application Specifications** —

114-10000

114-40030

**Instruction Sheet** — 408-9010