

4

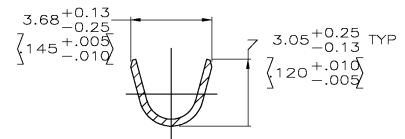
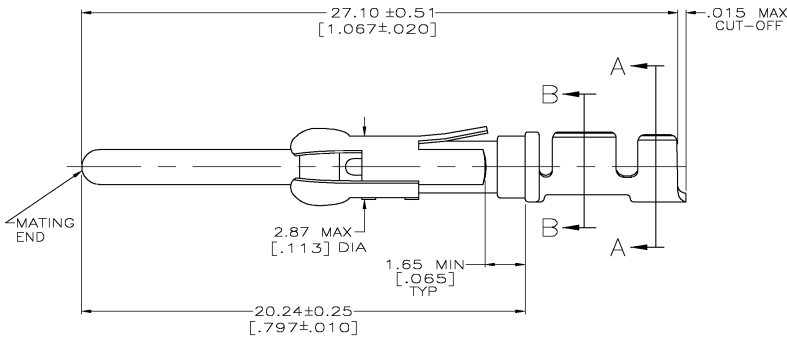
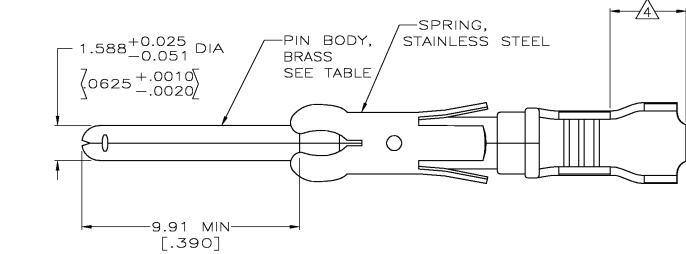
3

2

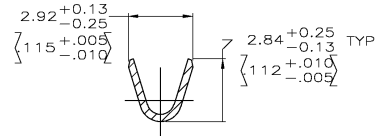
1

THIS DRAWING IS UNPUBLISHED. RELEASES FOR PUBLICATION
 © COPYRIGHT BY TYCO ELECTRONICS CORPORATION. ALL RIGHTS RESERVED.

LOC	DIST	REVISIONS					
FT	47	P	LTR	DESCRIPTION	DATE	OWN	APPD
		D		063B-0344-03	29APR03	TK	GS



SECTION A-A



SECTION B-B

- △ 0.76µm [.000030] MIN GOLD PER MIL-G-45204 ON MATING END FOR A LENGTH OF 5.08 [.200] MIN WITH GOLD FLASH ON THE REMAINDER, OVER 1.27µm [.000050] MIN NICKEL PER QQ-N-290.
- △ 0.76µm [.000030] MIN GOLD PER MIL-G-45204 IN MATING END FOR A LENGTH OF 5.08 [.200] MIN WITH A UNIFORM GRADIENT TO 0.25µm [.000010] MIN GOLD PER MIL-G-45204 ON THE REMAINDER, OVER 1.27µm [.000050] MIN NICKEL PER QQ-N-290.
- △ 0.38µm [.000015] MIN GOLD PER MIL-G-45204 ON MATING END FOR A LENGTH OF 5.08 [.200] MIN WITH GOLD FLASH ON THE REMAINDER OVER 1.27µm [.000050] MIN NICKEL PER QQ-N-290. GOLD PLATING NOT REQUIRED IN THIS AREA.
- △ 1.27µm [.000050] MIN TIN-LEAD PER MIL-T-10727 OVER 1.27µm [.000050] MIN NICKEL PER QQ-N-290.
- 6. WIRE RANGE 18-16 AWG.
- 7. INSULATION RANGE 2.03[.080]-2.54[.100] DIA.
- △ 0.38µm [.000015] MIN GOLD PER MIL-G-45204 ON MATING END FOR A LENGTH OF 5.08 [.200] MIN, 1.27µm [.000050] MIN TIN-LEAD PER MIL-T-10727 ON OPPOSITE END FOR A LENGTH OF 5.69 [.224] MIN, BOTH OVER 1.27µm [.000050] MIN NICKEL PER QQ-N-290.
- △ 1.27µm [.000050] MIN TIN PER MIL-T-10727 OVER 1.27µm [.000050] MIN NICKEL PER QQ-N-290.

SMALL PACK	△	1-66098-8	1-66099-6
STANDARD	△	1-66098-8	1-66099-5
SMALL PACK	△	66098-4	1-66099-4
SMALL PACK	△	66098-3	1-66099-3
SMALL PACK	△	66098-2	1-66099-2
SMALL PACK	△	66098-1	1-66099-1
OBSOLETE	△	1-66098-6	1-66099-0
STANDARD	△	66098-4	66099-4
STANDARD	△	66098-3	66099-3
STANDARD	△	66098-2	66099-2
STANDARD	△	66098-1	66099-1
PACKAGING TYPE		CONTACT FINISH	STRIP P/N
			REF PART NO

THIS DRAWING IS A CONTROLLED DOCUMENT. DWN 02/29/92
 L. SIFF 6-11-92
 W. LENKER 7-7-92
 G. STEINHAUER
 Tyco Electronics Corporation
 City, State, Zip

DIMENSIONS: INCHES
 0 PL ±
 1 PL ±
 2 PL ±
 3 PL ±
 4 PL ±
 ANGLES ±

MATERIAL: SEE CALLOUTS
 FINISH: SEE CALLOUTS

APPLICATION SPEC: -
 WEIGHT: -
 CUSTOMER DRAWING

SIZE: A2
 Q&E CODE: 00779
 DRAWING NO: 66099

RESTRICTED TO: -
 SCALE: 8:1
 SHEET: 1 OF 1
 REV: D

AMP 1471-9 REV 31MAR2000

J:\Tns_EC_dwg\

66099

A

D

D

D

D

D

D

D

D

D

D

D

D

D

D