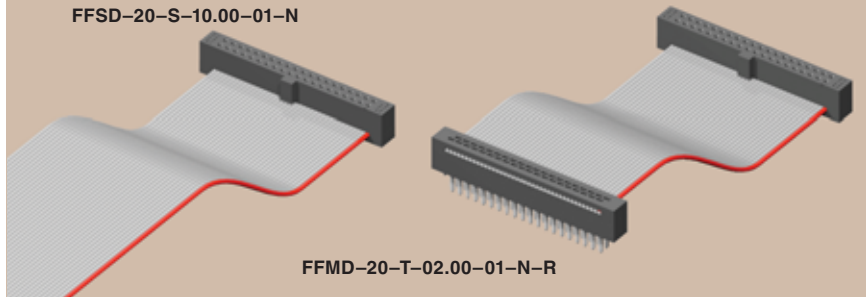




(1,27mm) .050"

FFSD, FFMD SERIES

FFSD-20-S-10.00-01-N



FFMD-20-T-02.00-01-N-R

TIGER EYE™ FLAT IDC WIRE CABLES

SPECIFICATIONS

Mates with:

FTS, FTSH, EHF, SHF, ESHF

For complete specifications see www.samtec.com?FFSD

FFSD

Insulator Material: PBT



Contact:

BeCu

Plating:

10µ" (0,25µm) Au over 50µ" (1,27µm) Ni on contact area; Sn over 50µ" (1,27µm) Ni on balance

Wire:

30 AWG

Current Rating:

0.5A

Operating Temp Range:

-40°C to +105°C

Lead Size Accepted:

(0,41mm) .016" SQ

Contact Resistance:

15 mΩ maximum

delta from initial

Insertion Depth:

(2,64mm) .104" to

(3,17mm) .125"

Insertion Force:

(Single contact only)

5oz (1,39N) avg.

Withdrawal Force:

(Single contact only)

3oz (0,83N) avg.

RoHS Compliant:

Yes

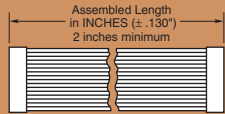
Note:

This Series is non-standard, non-returnable.

TYPE STRIP	NO. PINS PER ROW	END OPTION	OVERALL LENGTH	01	OPTION	OTHER OPTION
------------	------------------	------------	----------------	----	--------	--------------

-05, -08, -10, -13, -17, -20, -25
(Call for other sizes)

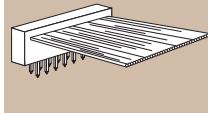
-“XX.XX” = Assembled Length



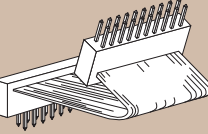
-N = Notch Polarization (FFSD only)

Leave blank for -S and -D End Options. For -T End Option Specify “-N” (Socket has notch polarization) (FFMD only)

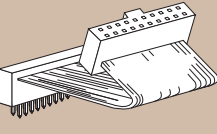
-S = Single End



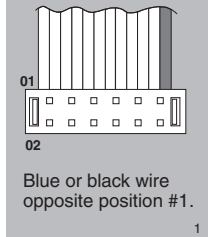
-D = Double End



-T = Transfer End (FFMD only)

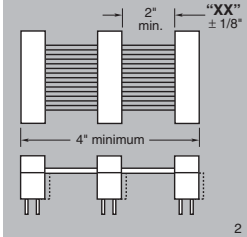


-RW = Reverse Wiring

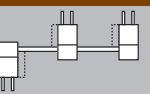


Blue or black wire opposite position #1.

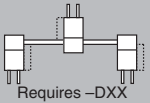
-D “XX” = Daisy Chain



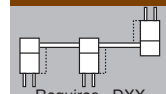
-R = Reverse



-M = Middle Reverse

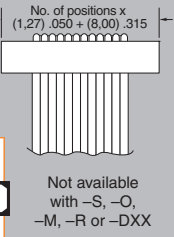


-O = Outside Reverse



Requires -DXX

-SR = Strain Relief



Not available with -S, -O, -M, -R or -DXX



• Strain relief option

SPECIFICATIONS

Mates with:

FLE*, SFMC*

For complete specifications see www.samtec.com?FFMD

FFMD

Insulator Material: Black Glass Filled Polyester



Terminal:

BeCu

Plating:

Sn over 50µ" (1,27µm) Ni

Wire:

30 AWG

Current Rating:

0.5A

Operating Temp Range:

-40°C to +105°C

RoHS Compliant:

Yes

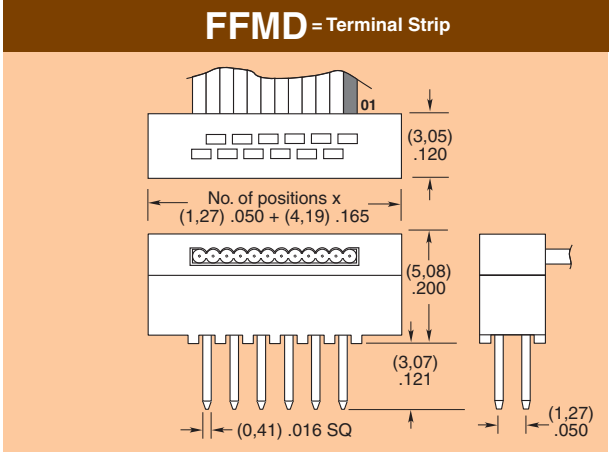
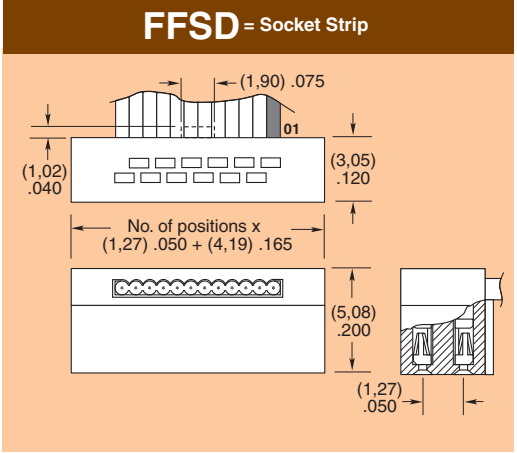
***Note:**

Standard FFMD callout will not mate with FLE, SFMC. Must use gold plated callouts. (See drawing on web.)

When mated with a socket, Wire 1 mates with Pin 2; Wire 2 mates with Pin 1, etc.

Note:

This Series is non-standard, non-returnable.



Due to technical progress, all designs, specifications and components are subject to change without notice.

WWW.SAMTEC.COM