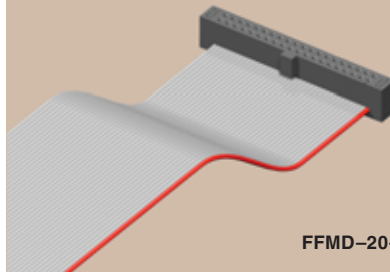




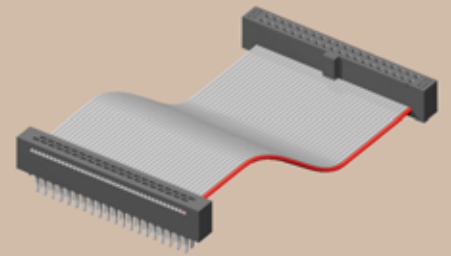
(1,27mm) .050"

FFSD, FFMD SERIES

FFSD-20-S-10.00-01-N



FFMD-20-T-02.00-01-N-R



TIGER EYE™ FLAT IDC WIRE CABLES

SPECIFICATIONS

Mates with:

FTS, FTSH, EHF, SHF, ESHF

For complete specifications see www.samtec.com?FFSD

FFSD

Insulator Material: PBT
Contact: BeCu
Plating: 10µ" (0,25µm) Au over 50µ" (1,27µm) Ni on contact area; Sn over 50µ" (1,27µm) Ni on balance



Wire: 30 AWG
Current Rating: 0.5A

Operating Temp Range: -40°C to +105°C

Lead Size Accepted: (0,41mm) .016" SQ

Contact Resistance: 15 mΩ maximum delta from initial

Insertion Depth: (2,64mm) .104" to (3,17mm) .125"

Insertion Force: (Single contact only)

5oz (1,39N) avg.

Withdrawal Force: (Single contact only)

3oz (0,83N) avg.

RoHS Compliant: Yes

Note: This Series is non-standard, non-returnable.

SPECIFICATIONS

Mates with:

FLE*, SFMC*

For complete specifications see www.samtec.com?FFMD

FFMD

Insulator Material: Black Glass Filled Polyester



Terminal: BeCu

Plating: Sn over 50µ" (1,27µm) Ni

Wire: 30 AWG

Current Rating: 0.5A

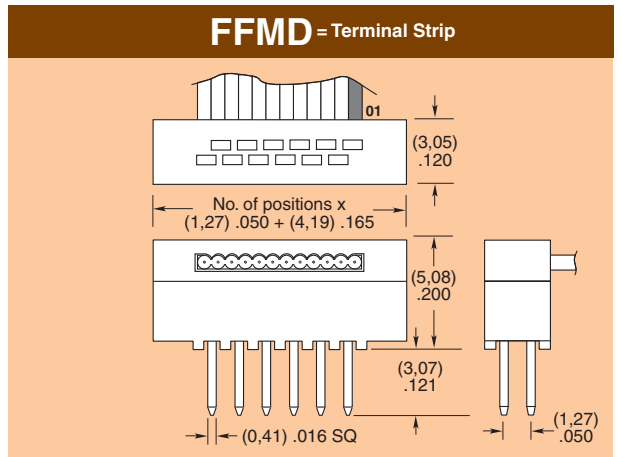
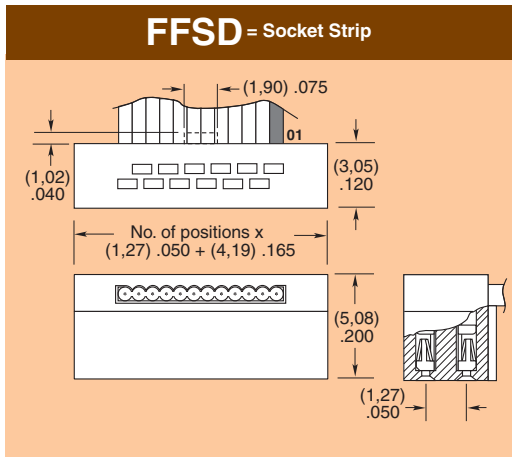
Operating Temp Range: -40°C to +105°C

RoHS Compliant: Yes

***Note:** Standard FFMD callout will not mate with FLE, SFMC. Must use gold plated callouts. (See drawing on web.)
 When mated with a socket, Wire 1 mates with Pin 2; Wire 2 mates with Pin 1, etc.

Note: This Series is non-standard, non-returnable.

TYPE STRIP	NO. PINS PER ROW	END OPTION	OVERALL LENGTH	01	OPTION	OTHER OPTION
	-05, -08, -10, -13, -17, -20, -25 (Call for other sizes)		- "XX.XX" = Assembled Length <small>Assembled Length in INCHES (±.130") 2 inches minimum</small>		-N = Notch Polarization (FFSD only)	
-S = Single End	-D = Double End	-T = Transfer End (FFMD only)				Leave blank for -S and -D End Options. For -T End Option Specify "-N" (Socket has notch polarization) (FFMD only)
-RW = Reverse Wiring	-D "XX" = Daisy Chain	-R = Reverse	-O = Outside Reverse	-SR = Strain Relief		
Blue or black wire opposite position #1.	2" min. "XX" ± 1/8" 4" minimum	Requires -DXX	Requires -DXX	No. of positions x (1,27) .050 + (8,00) .315 Not available with -S, -O, -M, -R or -DXX		
		-M = Middle Reverse Requires -DXX			<p>• Strain relief option</p>	



Due to technical progress, all designs, specifications and components are subject to change without notice.

WWW.SAMTEC.COM