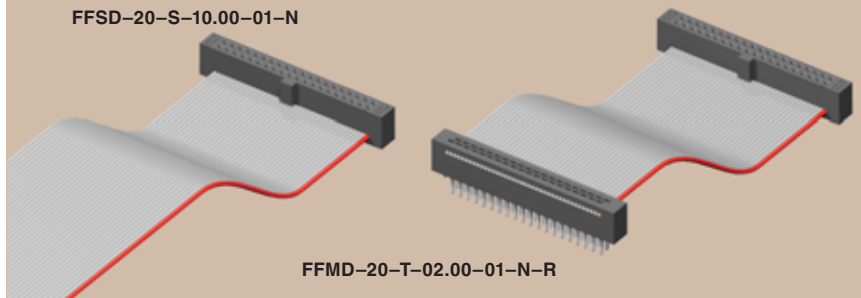




(1,27mm) .050"

FFSD, FFMD SERIES

FFSD-20-S-10.00-01-N



FFMD-20-T-02.00-01-N-R

# TIGER EYE™ FLAT IDC WIRE CABLES

## SPECIFICATIONS

### Mates with:

FTS, FTSH, EHF, SHF, ESHF

For complete specifications see [www.samtec.com?FFSD](http://www.samtec.com?FFSD)

### FFSD

**Insulator Material:** PBT



### Contact:

BeCu

### Plating:

10µ" (0,25µm) Au over 50µ" (1,27µm) Ni on contact area; Sn over 50µ" (1,27µm) Ni on balance

### Wire:

30 AWG

### Current Rating:

0.5A

### Operating Temp Range:

-40°C to +105°C

### Lead Size Accepted:

(0,41mm) .016" SQ

### Contact Resistance:

15 mΩ maximum

### delta from initial

### Insertion Depth:

(2,64mm) .104" to

(3,17mm) .125"

### Insertion Force:

(Single contact only)

5oz (1,39N) avg.

### Withdrawal Force:

(Single contact only)

3oz (0,83N) avg.

### RoHS Compliant:

Yes

**Note:** This Series is non-standard, non-returnable.

## SPECIFICATIONS

### Mates with:

FLE\*, SFMC\*

For complete specifications see [www.samtec.com?FFMD](http://www.samtec.com?FFMD)

### FFMD

**Insulator Material:** Black Glass Filled Polyester



### Terminal:

BeCu

### Plating:

Sn over 50µ" (1,27µm) Ni

### Wire:

30 AWG

### Current Rating:

0.5A

### Operating Temp Range:

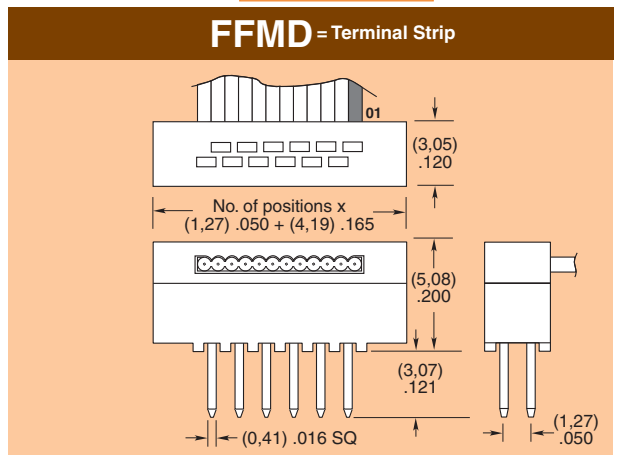
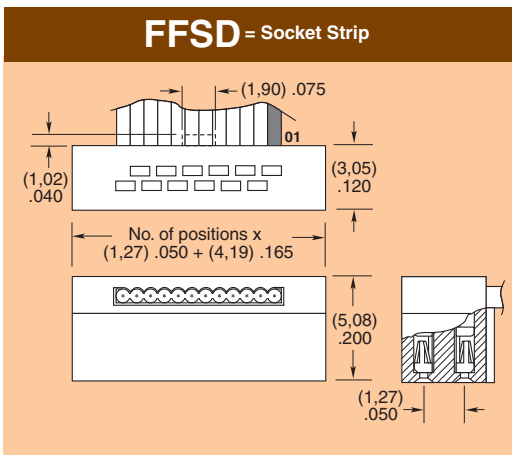
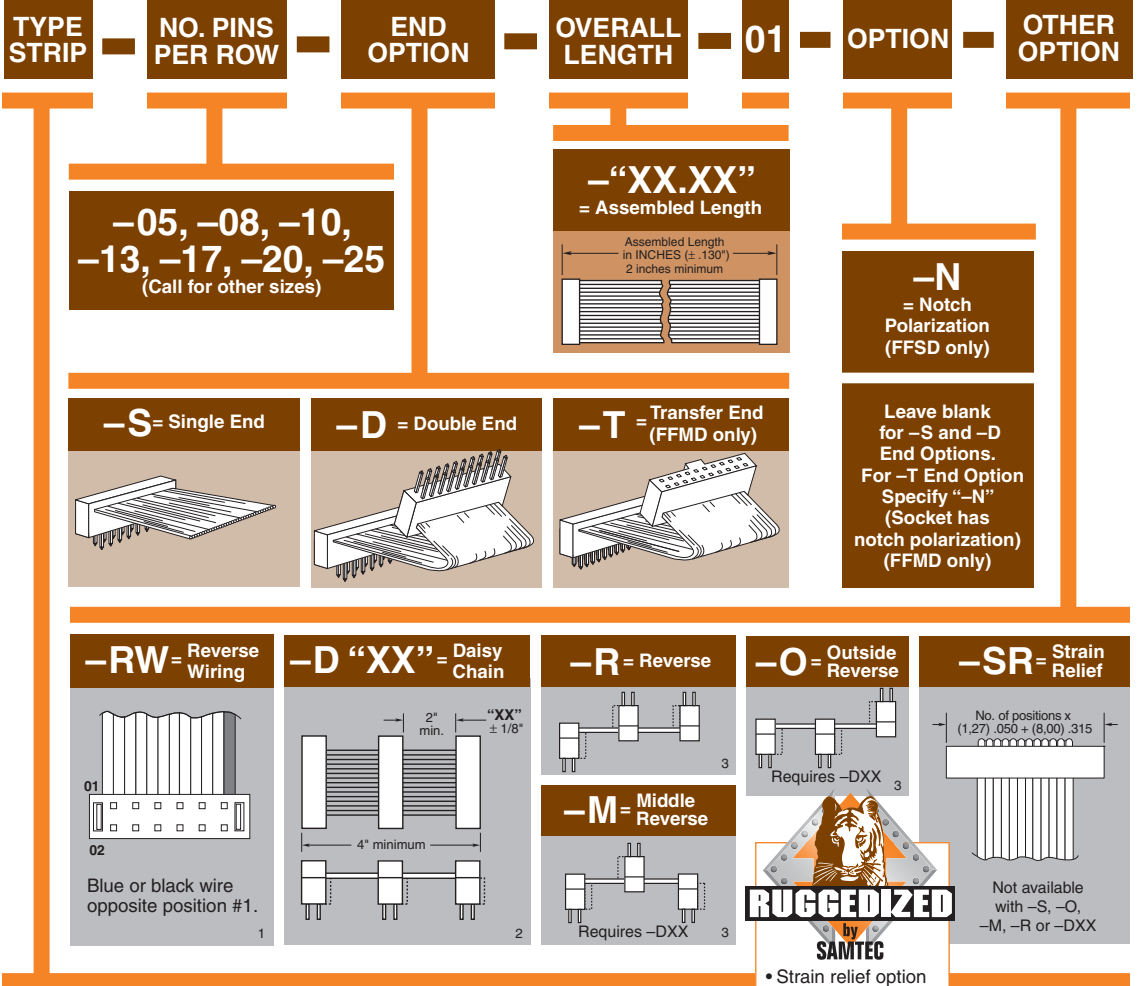
-40°C to +105°C

### RoHS Compliant:

Yes

\***Note:** Standard FFMD callout will not mate with FLE, SFMC. Must use gold plated callouts. (See drawing on web.) When mated with a socket, Wire 1 mates with Pin 2; Wire 2 mates with Pin 1, etc.

**Note:** This Series is non-standard, non-returnable.



Due to technical progress, all designs, specifications and components are subject to change without notice.