



(1,27mm) .050"

FFSD, FFMD SERIES

FFSD-20-S-10.00-01-N



FFMD-20-T-02.00-01-N-R

# TIGER EYE™ FLAT IDC WIRE CABLES

## SPECIFICATIONS

Mates with:  
FTS, FTSH, EHF,  
SHF, ESHF

For complete specifications  
see [www.samtec.com?FFSD](http://www.samtec.com?FFSD)

### FFSD

**Insulator Material:** PBT  
**Contact:** BeCu  
**Plating:** 10µ" (0,25µm) Au over 50µ" (1,27µm) Ni on contact area; Sn over 50µ" (1,27µm) Ni on balance  
**Wire:** 30 AWG  
**Current Rating:** 0.5A  
**Operating Temp Range:** -40°C to +105°C  
**Lead Size Accepted:** (0,41mm) .016" SQ  
**Contact Resistance:** 15 mΩ maximum delta from initial  
**Insertion Depth:** (2,64mm) .104" to (3,17mm) .125"  
**Insertion Force:** (Single contact only) 5oz (1,39N) avg.  
**Withdrawal Force:** (Single contact only) 3oz (0,83N) avg.  
**RoHS Compliant:** Yes



Note: This Series is non-standard, non-returnable.

## SPECIFICATIONS

Mates with:  
FLE\*, SFMC\*

For complete specifications  
see [www.samtec.com?FFMD](http://www.samtec.com?FFMD)

### FFMD

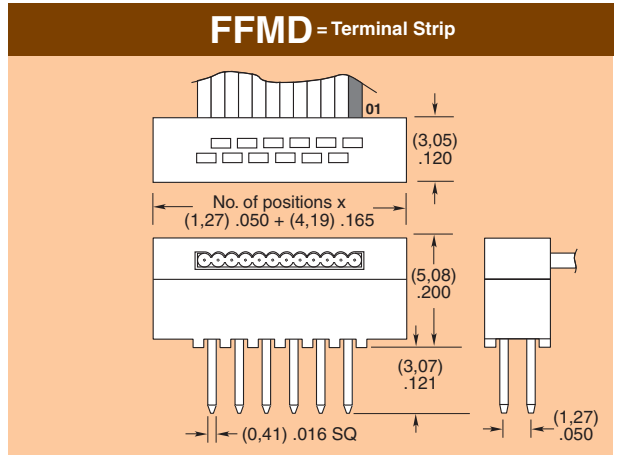
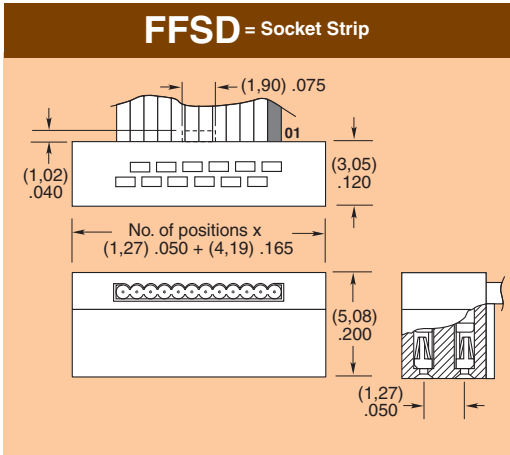
**Insulator Material:** Black Glass Filled Polyester  
**Terminal:** BeCu  
**Plating:** Sn over 50µ" (1,27µm) Ni  
**Wire:** 30 AWG  
**Current Rating:** 0.5A  
**Operating Temp Range:** -40°C to +105°C  
**RoHS Compliant:** Yes



\*Note: Standard FFMD callout will not mate with FLE, SFMC. Must use gold plated callouts. (See drawing on web.)  
When mated with a socket, Wire 1 mates with Pin 2; Wire 2 mates with Pin 1, etc.

Note: This Series is non-standard, non-returnable.

TYPE STRIP	NO. PINS PER ROW	END OPTION	OVERALL LENGTH	01	OPTION	OTHER OPTION
	-05, -08, -10, -13, -17, -20, -25 (Call for other sizes)		- "XX.XX" = Assembled Length <small>Assembled Length in INCHES (±.130") 2 inches minimum</small>		-N = Notch Polarization (FFSD only)	Leave blank for -S and -D End Options. For -T End Option Specify "-N" (Socket has notch polarization) (FFMD only)
-S = Single End	-D = Double End	-T = Transfer End (FFMD only)				
-RW = Reverse Wiring	-D "XX" = Daisy Chain	-R = Reverse	-O = Outside Reverse	-M = Middle Reverse	-SR = Strain Relief	



Due to technical progress, all designs, specifications and components are subject to change without notice.

[WWW.SAMTEC.COM](http://WWW.SAMTEC.COM)