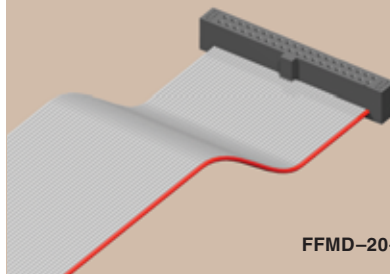




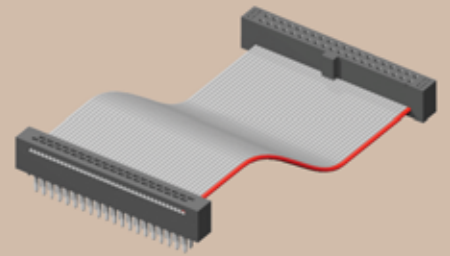
(1,27mm) .050"

FFSD, FFMD SERIES

FFSD-20-S-10.00-01-N



FFMD-20-T-02.00-01-N-R




# TIGER EYE™ FLAT IDC WIRE CABLES

## SPECIFICATIONS

Mates with:  
FTS, FTSH, EHF,  
SHF, ESHF

For complete specifications  
see [www.samtec.com?FFSD](http://www.samtec.com?FFSD)

### FFSD

Insulator Material:  PBT  
Contact: BeCu  
Plating: 10µ" (0,25µm) Au over 50µ" (1,27µm) Ni on contact area; Sn over 50µ" (1,27µm) Ni on balance

Wire: 30 AWG  
Current Rating: 0.5A

Operating Temp Range: -40°C to +105°C

Lead Size Accepted: (0,41mm) .016" SQ

Contact Resistance: 15 mΩ maximum delta from initial

Insertion Depth: (2,64mm) .104" to (3,17mm) .125"

Insertion Force: (Single contact only) 5oz (1,39N) avg.

Withdrawal Force: (Single contact only) 3oz (0,83N) avg.

RoHS Compliant: Yes

Note: This Series is non-standard, non-returnable.

## SPECIFICATIONS

Mates with:  
FLE\*, SFMC\*

For complete specifications  
see [www.samtec.com?FFMD](http://www.samtec.com?FFMD)

### FFMD

Insulator Material:  Black Glass Filled Polyester

Terminal: BeCu

Plating: Sn over 50µ" (1,27µm) Ni

Wire: 30 AWG

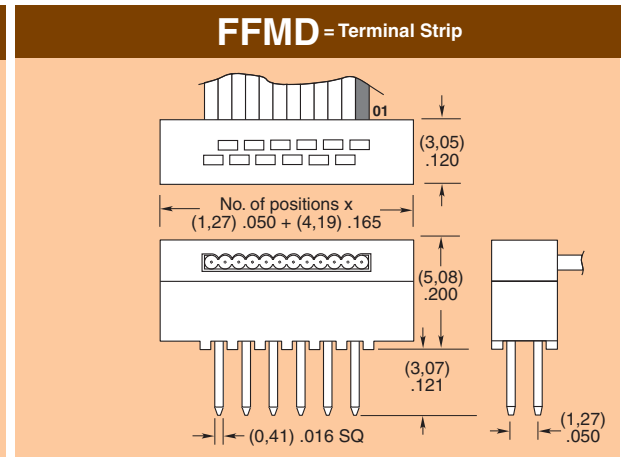
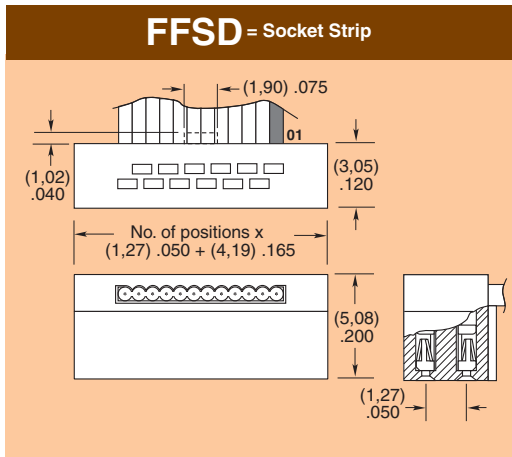
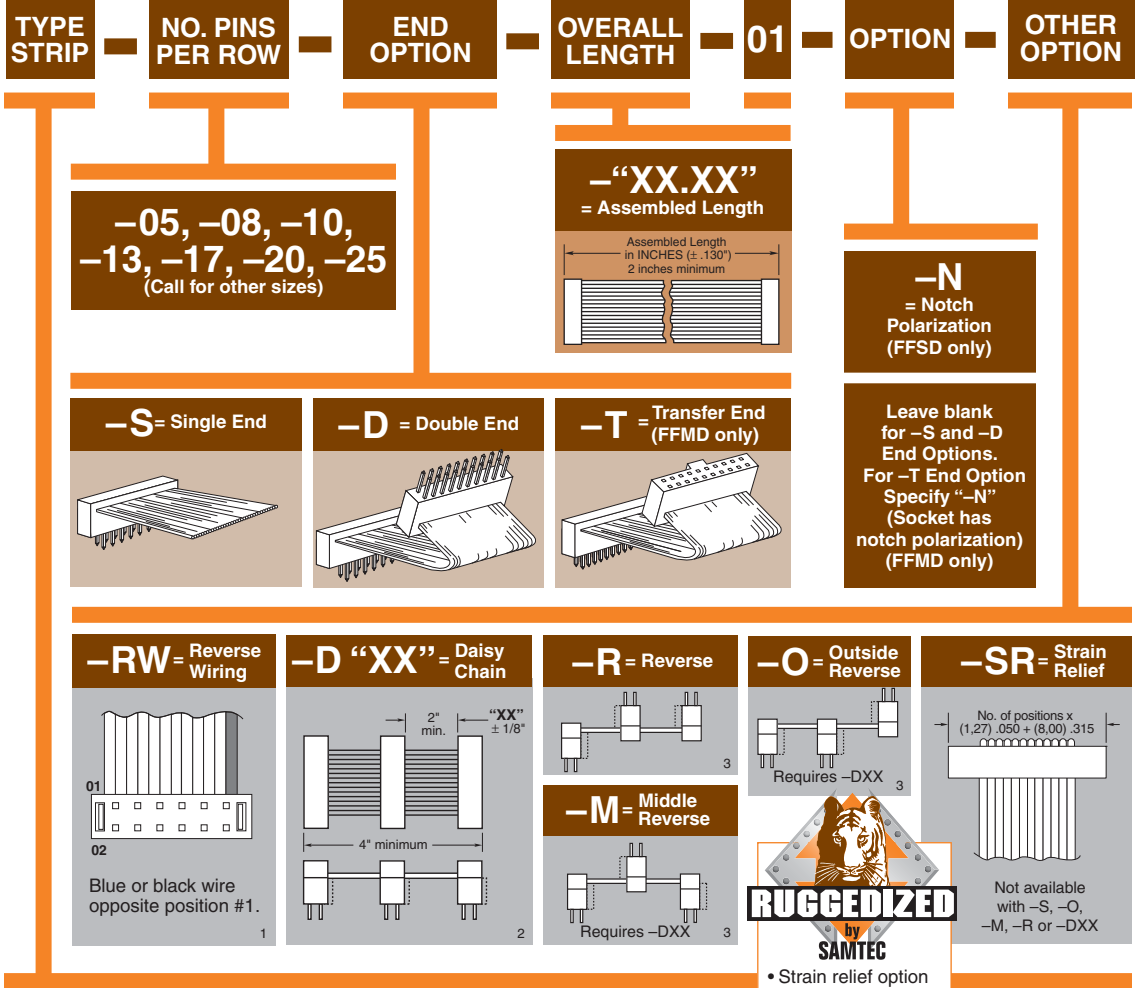
Current Rating: 0.5A

Operating Temp Range: -40°C to +105°C

RoHS Compliant: Yes

\*Note: Standard FFMD callout will not mate with FLE, SFMC. Must use gold plated callouts. (See drawing on web.)  
When mated with a socket, Wire 1 mates with Pin 2; Wire 2 mates with Pin 1, etc.

Note: This Series is non-standard, non-returnable.



Due to technical progress, all designs, specifications and components are subject to change without notice.

[WWW.SAMTEC.COM](http://WWW.SAMTEC.COM)