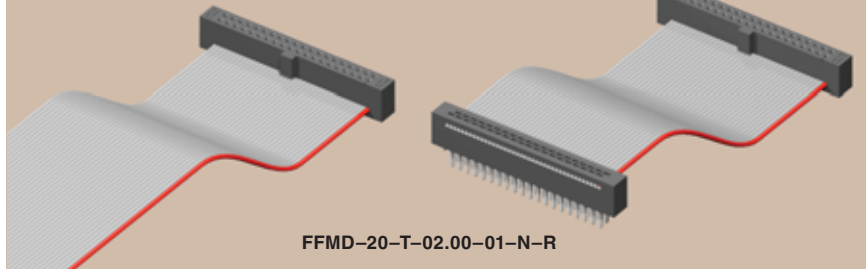




(1,27mm) .050"

FFSD, FFMD SERIES

FFSD-20-S-10.00-01-N



FFMD-20-T-02.00-01-N-R

TIGER EYE™ FLAT IDC WIRE CABLES

SPECIFICATIONS

Mates with:

F_TS, F_TSH, E_HF,
S_HF, E_SH_F

For complete specifications
see www.samtec.com?FFSD

FFSD

Insulator Material:  PBT

Contact:

BeCu
Plating:
10µ" (0,25µm) Au over 50µ"
(1,27µm) Ni on contact area;
Sn over 50µ" (1,27µm) Ni
on balance

Wire:

30 AWG

Current Rating:
0.5A

Operating Temp Range:
-40°C to +105°C

Lead Size Accepted:
(0,41mm) .016" SQ

Contact Resistance:
15 mΩ maximum

delta from initial

Insertion Depth:

(2,64mm) .104" to

(3,17mm) .125"

Insertion Force:

(Single contact only)

5oz (1,39N) avg.

Withdrawal Force:

(Single contact only)

3oz (0,83N) avg.

RoHS Compliant:

Yes

Note: This Series is
non-standard, non-returnable.


SPECIFICATIONS

Mates with:

FLE*, SFMC*

For complete specifications
see www.samtec.com?FFMD

FFMD

Insulator Material:  Black Glass Filled Polyester

Terminal: BeCu

Plating:
Sn over 50µ" (1,27µm) Ni

Wire: 30 AWG

Current Rating: 0.5A

Operating Temp Range:

-40°C to +105°C

RoHS Compliant: Yes

***Note:** Standard FFMD callout
will not mate with FLE, SFMC.
Must use gold plated callouts.
(See drawing on web.)

When mated with a socket,
Wire 1 mates with Pin 2;
Wire 2 mates with Pin 1, etc.

Note: This Series is
non-standard, non-returnable.

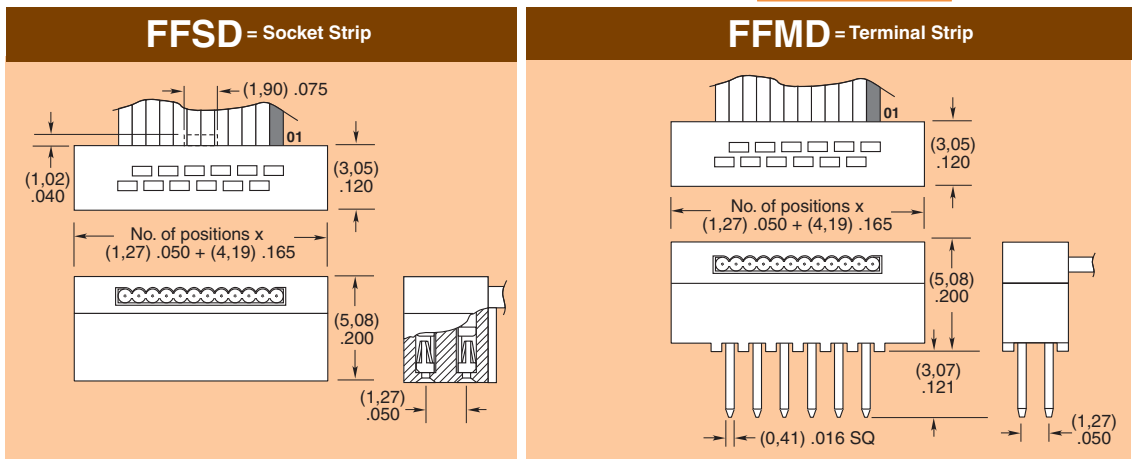
TYPE STRIP	NO. PINS PER ROW	END OPTION	OVERALL LENGTH	01	OPTION	OTHER OPTION
-05, -08, -10, -13, -17, -20, -25 (Call for other sizes)			- "XX.XX" = Assembled Length		-N = Notch Polarization (FFSD only)	Leave blank for -S and -D End Options. For -T End Option Specify "-N" (Socket has notch polarization) (FFMD only)
-S = Single End		-D = Double End				
		-T = Transfer End (FFMD only)				
-RW = Reverse Wiring		-D "XX" = Daisy Chain				
-R = Reverse		-R = Reverse				
		-M = Middle Reverse				
		-O = Outside Reverse				
		-SR = Strain Relief				

FFSD = Socket Strip

FFMD = Terminal Strip

RUGGEDIZED by SAMTEC

• Strain relief option



Due to technical progress, all designs, specifications and components are subject to change without notice.

WWW.SAMTEC.COM