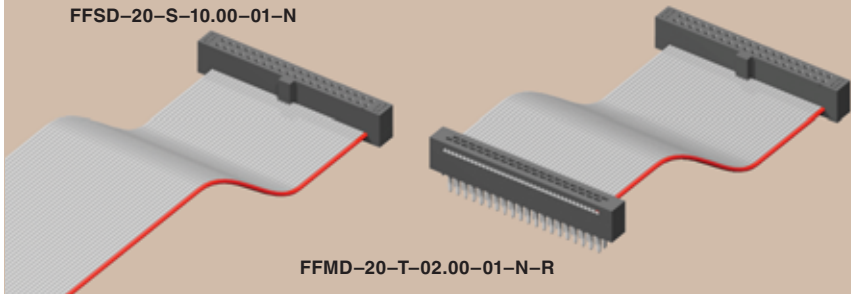




(1,27mm) .050"

FFSD, FFMD SERIES

FFSD-20-S-10.00-01-N



FFMD-20-T-02.00-01-N-R

TIGER EYE™ FLAT IDC WIRE CABLES


SPECIFICATIONS

Mates with:

FTS, FTSH, EHF,
SHF, ESHF

For complete specifications
see www.samtec.com?FFSD

FFSD

Insulator Material:  PBT
Contact: BeCu
Plating: 10μ" (0,25μm) Au over 50μ" (1,27μm) Ni on contact area; Sn over 50μ" (1,27μm) Ni on balance
Wire: 30 AWG
Current Rating: 0.5A
Operating Temp Range: -40°C to +105°C
Lead Size Accepted: (0,41mm) .016" SQ
Contact Resistance: 15 mΩ maximum delta from initial
Insertion Depth: (2,64mm) .104" to (3,17mm) .125"
Insertion Force: (Single contact only) 5oz (1,39N) avg.
Withdrawal Force: (Single contact only) 3oz (0,83N) avg.
RoHS Compliant: Yes

Note: This Series is non-standard, non-returnable.

SPECIFICATIONS

Mates with: FLE*, SFMC*

For complete specifications
see www.samtec.com?FFMD

FFMD

Insulator Material:  Black Glass Filled Polyester
Terminal: BeCu
Plating: Sn over 50μ" (1,27μm) Ni
Wire: 30 AWG
Current Rating: 0.5A
Operating Temp Range: -40°C to +105°C
RoHS Compliant: Yes

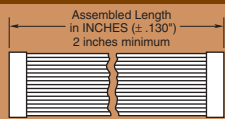
***Note:** Standard FFMD callout will not mate with FLE, SFMC. Must use gold plated callouts. (See drawing on web.)
When mated with a socket, Wire 1 mates with Pin 2; Wire 2 mates with Pin 1, etc.

Note: This Series is non-standard, non-returnable.

TYPE STRIP	NO. PINS PER ROW	END OPTION	OVERALL LENGTH	01	OPTION	OTHER OPTION
------------	------------------	------------	----------------	----	--------	--------------

-05, -08, -10,
-13, -17, -20, -25
(Call for other sizes)

-“XX.XX”
= Assembled Length



-N
= Notch Polarization (FFSD only)

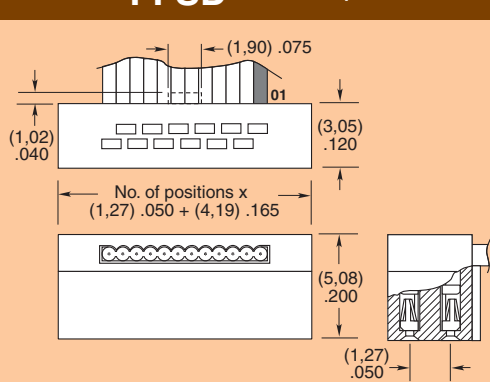
Leave blank for -S and -D End Options. For -T End Option Specify “-N” (Socket has notch polarization) (FFMD only)

-S = Single End 	-D = Double End 	-T = Transfer End (FFMD only)
---------------------	---------------------	-----------------------------------

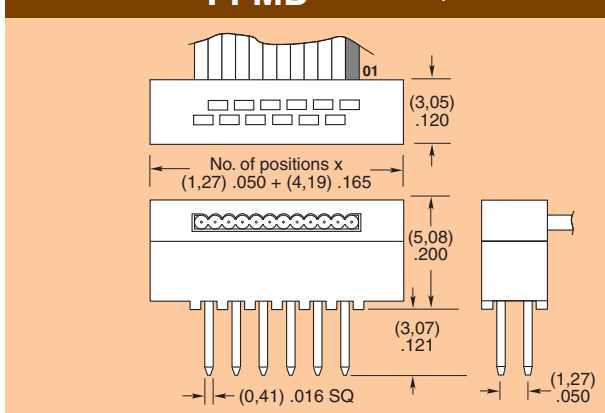
-RW = Reverse Wiring 	-D “XX” = Daisy Chain 	-R = Reverse 	-O = Outside Reverse 	-SR = Strain Relief
--------------------------	---------------------------	------------------	--------------------------	-------------------------



FFSD = Socket Strip



FFMD = Terminal Strip



Due to technical progress, all designs, specifications and components are subject to change without notice.

WWW.SAMTEC.COM