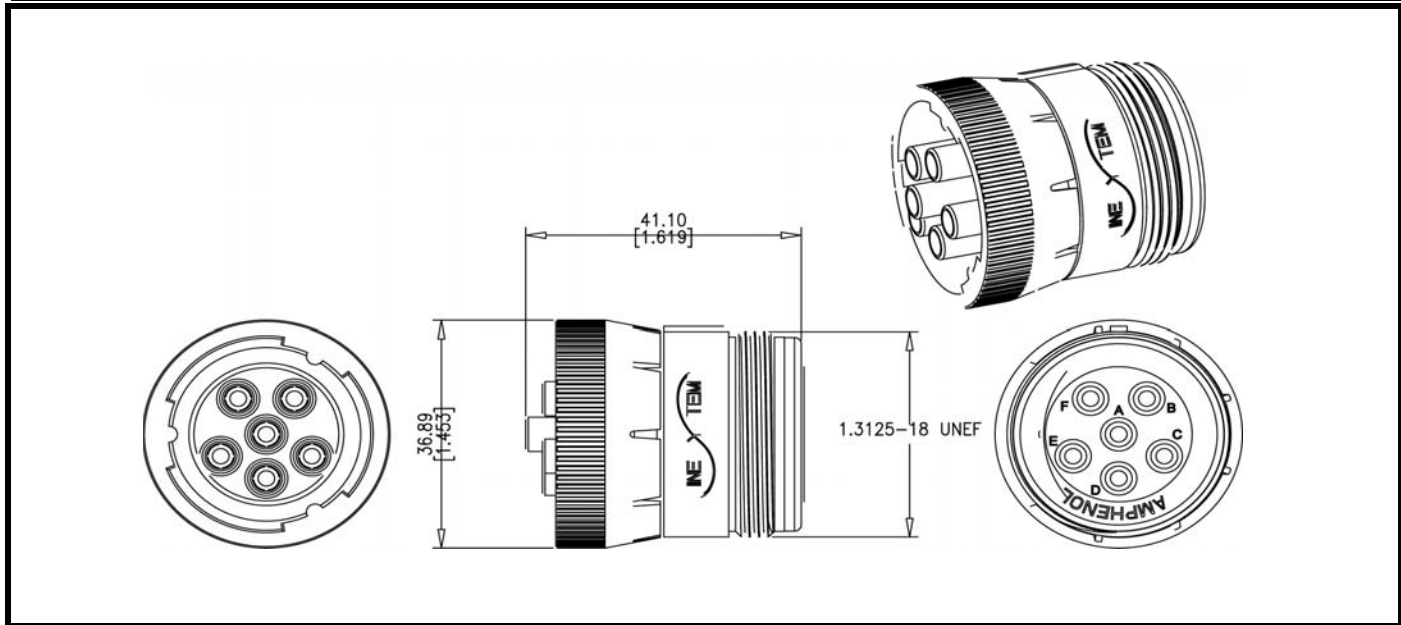


CONFIGURATION	PART NUMBER	LENGTH
PLUG, 6 POS, COUPLING	AHD16-6-12S-B010	TBD

### DIMENSIONS



### TECHNICAL DATA

<b>PHYSICAL SHOCK:</b>	<b>Military Style:</b> No locking, unmating or other unsatisfactory results after 50g's in each of three mutually perpendicular planes.
<b>DIELECTRICAL STRENGTH:</b>	<b>Diagnostic Grade / Military Style:</b> 1500 volts minimum
<b>VIBRATION:</b>	<b>Military Style:</b> Maintains continuity and exhibits no mechanical or physical damage after vibration. (20 g's at 10-2000Hz)
<b>TEMPERATURE:</b>	<b>Diagnostic Grade / Military Style:</b> Operating temperature range: -55C TO +125C at rated current.
<b>INSULATION RESISTANCE:</b>	<b>Diagnostic Grade / Military Style:</b> 1000 megohms minimum at 25C
<b>DURABILITY:</b>	<b>Diagnostics Grade / Military Style:</b> No electric or mechanical defects after 100 cycles of engagement and disengagement.
<b>CORROSION RESISTANCE:</b>	<b>Diagnostics Grade / Military Style:</b> Connectors show no evidence of corrosion after exposure to 48 hours of salt spray per MIL-STD 1344 method 1001.

### TESTING

--	--