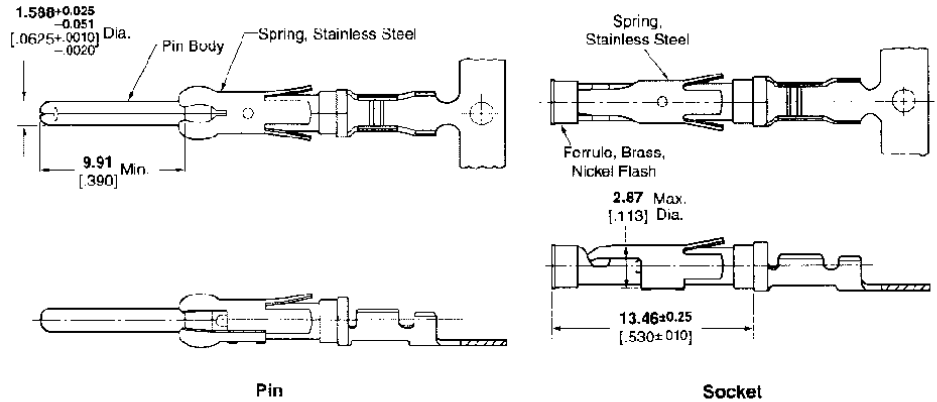
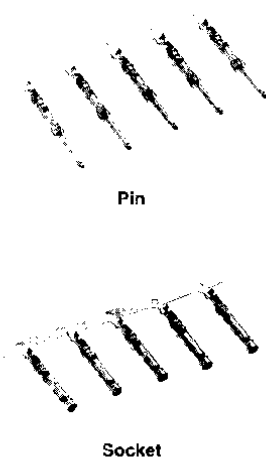


# M Series Connectors (Continued)

## V.35

### Signal Contacts

#### Type III+ Crimp Snap-in



#### Material:

Contact Body — Brass  
Retention Spring — Stainless steel

#### Finish:

See chart.

#### Contact Size 16—Pin Diameter 1.57 [.062] (Test Current, 13 Ampere)‡

Wire Size Range	Ins. Dia. Range	Contact Finish	Strip-Form Contact No.		Loose Piece Contact No.		Tooling No. Loose Piece Hand Tool
			Pin	Socket	Pin	Socket	
30-26	0.05-0.15	Bright Tin-Lead	66425-6	66424-6	—	—	90066-7
		Gold/Nickel <sup>¶</sup>	66425-7	66424-7	66429-3	66428-3	
		Sel. Gold/Nickel <sup>¶</sup>	66425-8	66424-8	66429-4	66428-4	
26-24	0.12-0.2	Gold/Nickel <sup>¶</sup>	66393-7	66394-7	—	—	90225-2
		Sel. Gold/Nickel <sup>¶</sup>	66393-8	66394-8	66406-4	66405-4	
		Bright Tin-Lead	66106-6	66108-6	66107-2	66109-2	
24-20	0.2-0.6	Gold/Nickel <sup>¶</sup>	66106-7	66108-7	66107-3	66109-3	90066-7 or 58495-1*
		Sel. Gold/Nickel <sup>¶</sup>	66106-8	66108-8	66107-4	66109-4	
		Bright Tin-Lead	66102-7	66104-7	66103-2	66105-2	
18-16	0.8-1.4	Gold/Nickel <sup>¶</sup>	66102-8	66104-8	66103-3	66105-3	90066-7 or 58495-1*
		Sel. Gold/Nickel <sup>¶</sup>	66102-9	66104-9	66103-4	66105-4	
		Bright Tin-Lead	66564-6	66563-6	66566-2	66565-2	
18-14	0.8-2.0	Gold/Nickel <sup>¶</sup>	66564-8	66563-8	66566-4	66565-4	90331-1
		Sel. Gold/Nickel <sup>¶</sup>	66332-5	66331-5	66400-1	66399-1	
		Bright Tin-Lead	66332-7	66331-7	66400-3	66399-3	
18-14	0.8-2.0	Gold/Nickel <sup>¶</sup>	66332-8	66331-8	66400-4	66399-4	90067-5 or 90225-2
		Sel. Gold/Nickel <sup>¶</sup>	66098-7	66100-7	66099-2	66101-2	
		Bright Tin-Lead	66098-8	66100-8	66099-3	66101-3	
18-14	0.8-2.0	Gold/Nickel <sup>¶</sup>	66098-9	66100-9	66099-4	66101-4	90067-4 90067-5 58495-1*
		Sel. Gold/Nickel <sup>¶</sup>	66359-6	66358-6	66361-2	66360-2	
		Bright Tin-Lead	66359-9	66358-9	66361-3	66360-3	
18-14	0.8-2.0	Gold/Nickel <sup>¶</sup>	1-66359-0	1-66358-0	66361-4	66360-4	90310-3
		Sel. Gold/Nickel <sup>¶</sup>	66597-1	66598-1	66602-1	66601-1	
		Bright Tin-Lead	—	—	—	—	
18-14	0.8-2.0	Gold/Nickel <sup>¶</sup>	—	—	—	—	90310-2
		Sel. Gold/Nickel <sup>¶</sup>	66597-2	66598-2	66602-2	66601-2	

<sup>1</sup>Overall insulation crimp diameter, including crimp barrel, must not exceed 3.18 [.125].

<sup>¶</sup>0.00038 [.000015] gold in the mating area over 0.00127 [.000050] nickel.

<sup>¶</sup>0.00076 [.000030] gold in the mating area over 0.00127 [.000050] nickel.

<sup>4</sup>Contacts can only be used in MetriMate, Series 1 (Arr. 23-24), Series 4 (Arr. 23-13M, 23-16M, 23-22M), and VDE connectors.

\*Economy hand tool for field repair only.

‡Single contact, free-air test current is not to be construed as contact rating current. Use only for testing.

Insertion Tool No. 91002-1 (for insulation diameters 1.78 [.070] or less), No. 200893-2 (For insulation diameters 2.29 [.090] max.).

Extraction Tool No. 305183.