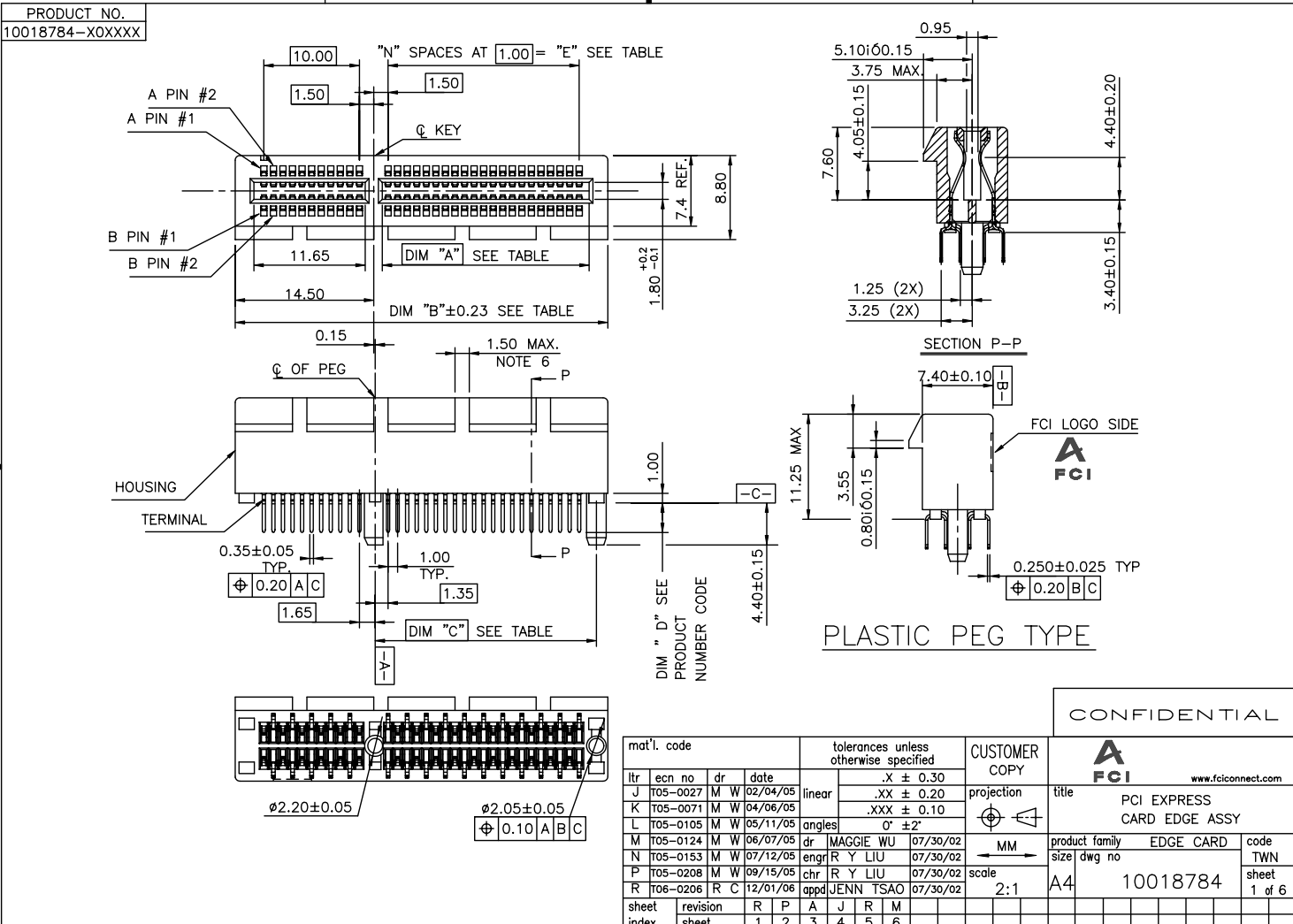


Tous droits strictement réservés. Reproduction ou communication à des tiers interdite sous quelque forme que ce soit sans autorisation écrite du propriétaire. Propriété de c FCI. Droits de reproduction FCI.

All rights strictly reserved. Reproduction or issue to third parties in any form whatever is not permitted without written authority from the proprietor. Property of FCI. Copyright FCI.



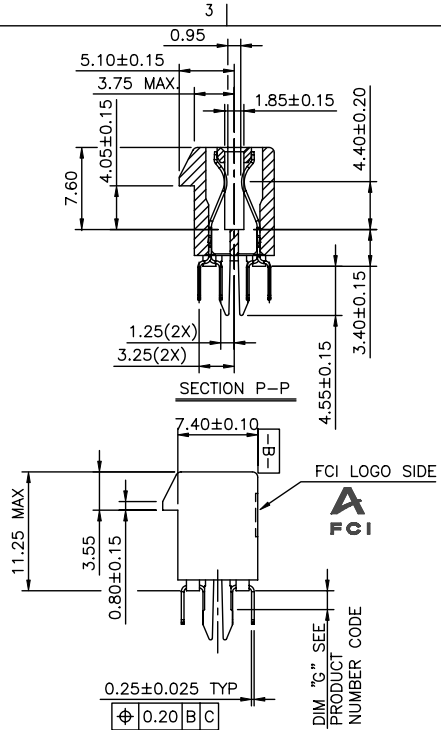
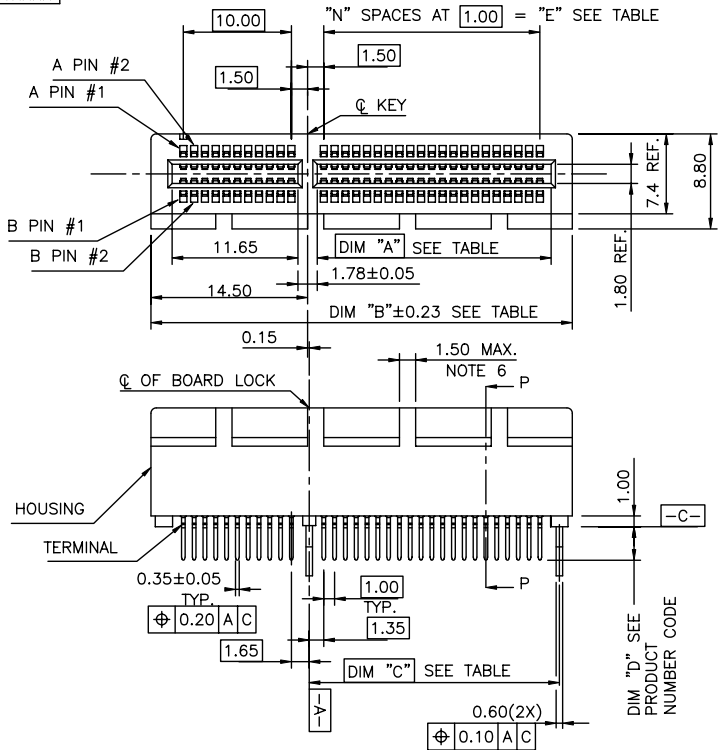
CONFIDENTIAL

mat'l. code		tolerances unless otherwise specified		CUSTOMER COPY		FCI <a href="http://www.fciconnect.com">www.fciconnect.com</a>		
itr	ecn no	dr	date	linear	.X ± 0.30	projection	title	
J	T05-0027	M	W 02/04/05		.XX ± 0.20		PCI EXPRESS CARD EDGE ASSY	
K	T05-0071	M	W 04/08/05		.XXX ± 0.10		product family	EDGE CARD
L	T05-0105	M	W 05/11/05	angles	0° ± 2°	MM	code	
M	T05-0124	M	W 06/07/05	dr	MAGGIE WU 07/30/02	scale	TWN	
N	T05-0153	M	W 07/12/05	engr	R Y LIU 07/30/02	2:1	product family	EDGE CARD
P	T05-0208	M	W 09/15/05	chr	R Y LIU 07/30/02		size	dwg no
R	T06-0206	R	C 12/01/06	appd	JENN TSAO 07/30/02		A4	10018784
sheet index	revision	R	P	A	J	R	M	sheet
		1	2	3	4	5	6	1 of 6

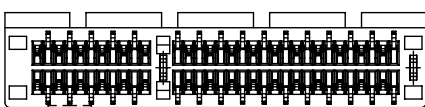
Tous droits strictement réservés. Reproduction ou communication a des tiers interdite sous quelque forme que ce soit sans autorisation écrite du propriétaire. Property of FCI. Droits de reproduction FCI.

All rights strictly reserved. Reproduction or issue to third parties in any form whatever is not permitted without written authority from the proprietor. Property of FCI. Copyright FCI.

PRODUCT NO.  
10018784-X1XXXX



METAL BOARD LOCKS TYPE



CONFIDENTIAL

mat'l. code				tolerances unless otherwise specified				CUSTOMER COPY		www.fciconnect.com	
ltr	ecn no	dr	date	linear	.X ± 0.30	projection	title		PCI EXPRESS		
P					.XX ± 0.20	MM	CARD EDGE ASSY		EDGE CARD		
				angles	.XXX ± 0.10	MM	product family	code	TWN		
				dr	0° ± 2°	MM	size	dwg no	sheet		
				enrg		2:1	A4	10018784	2 of		
				chr							
				appd							
sheet index	revision sheet										

1 | 2

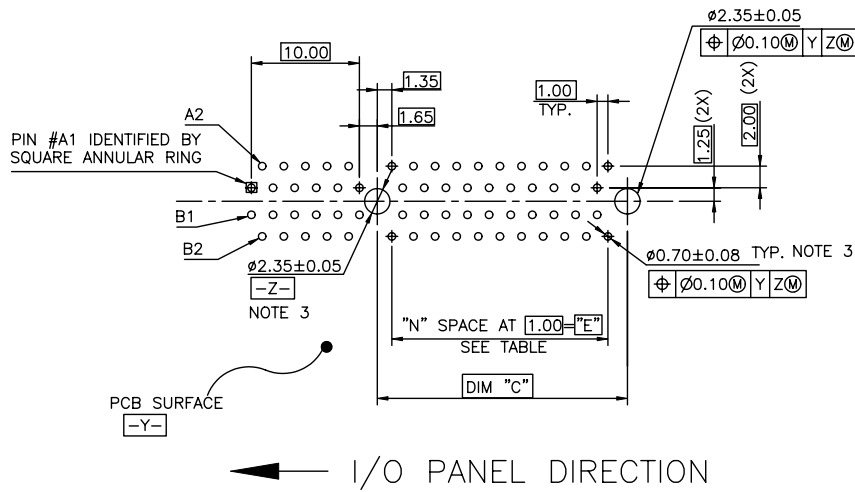
3 |

4

ACAD PDM: Rev:R STATUS Released 22526 Formed: Jun 28, 2010

Tous droits strictement réservés. Reproduction ou communication a des tiers interdite sous quelque forme que ce soit sans autorisation écrite du propriétaire. Property of FCI. Droits de reproduction FCI.

All rights strictly reserved. Reproduction or issue to third parties in any form whatever is not permitted without written authority from the proprietor. Property of FCI. Copyright FCI.



RECOMMENDED FOOTPRINT

CONFIDENTIAL

mat'l. code				tolerances unless otherwise specified		CUSTOMER COPY		FCI www.fciconnect.com	
ltr	ecn no	dr	date	linear	.X ±	projection	title		
A					.XX ±	⊕	PCI EXPRESS CARD EDGE ASS'Y		
				angles	.XXX ±	MM	product family	EDGE CARD	code
				dr	0° ±2°	←	size		TWN
				engr		scale	dwg no		sheet
				chr	MAGGIE WU 07/30/02	2:1	A4	10018784	3 of
				appd	R Y LIU 07/30/02				
sheet index	revision sheet				JENN TSAO 07/30/02				

ACAD

PDM: Rev:R

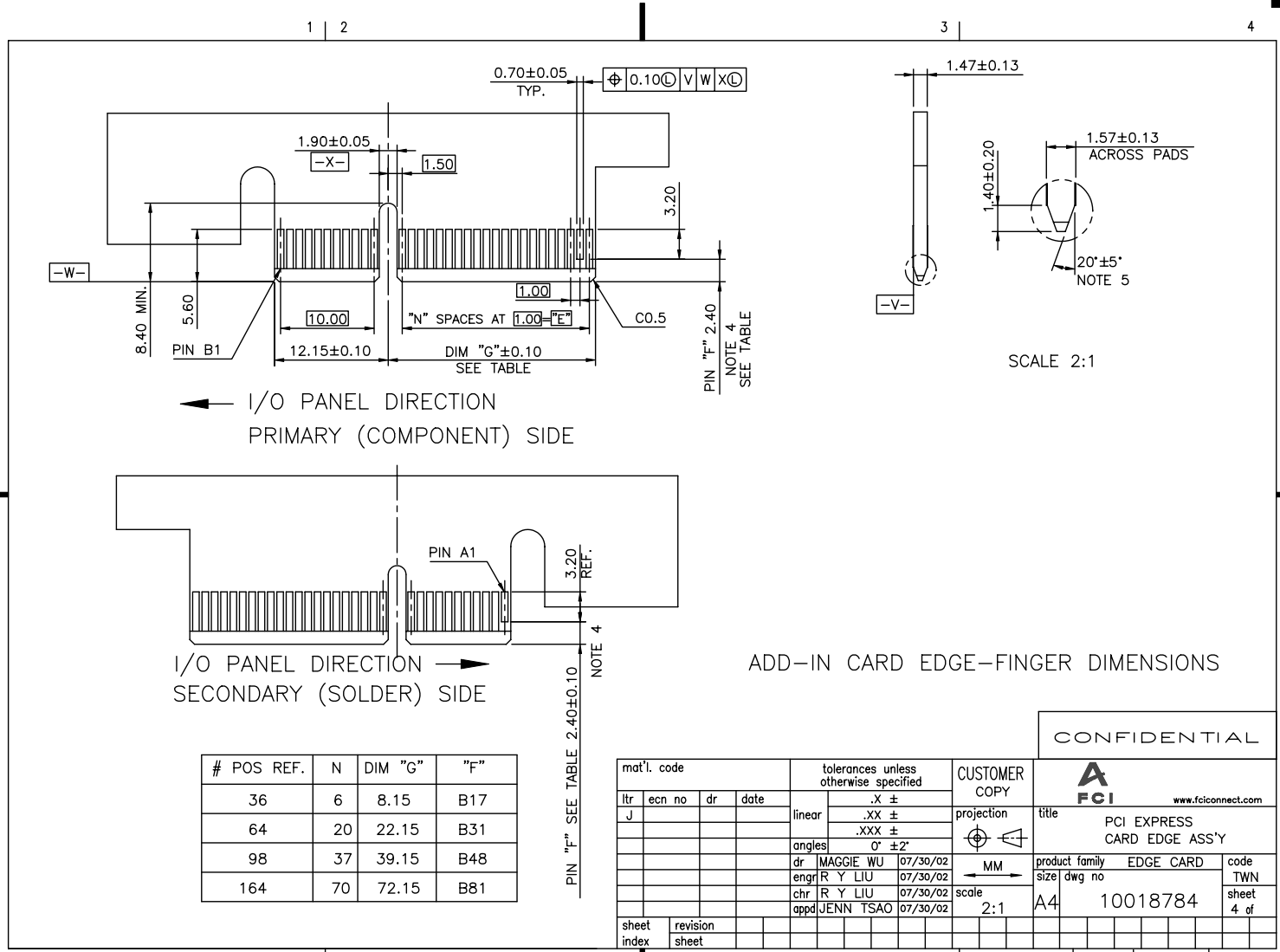
STATUS Released

cage code 22526

Formed: Jun 28, 2010

Tous droits strictement réservés. Reproduction ou communication a des tiers interdite sous quelque forme que ce soit sans autorisation écrite du propriétaire. Propriété de c FCI. Droits de reproduction FCI.

All rights strictly reserved. Reproduction or issue to third parties in any form whatever is not permitted without written authority from the proprietor. Property of FCI. Copyright FCI.



I/O PANEL DIRECTION  
PRIMARY (COMPONENT) SIDE

I/O PANEL DIRECTION  
SECONDARY (SOLDER) SIDE

ADD-IN CARD EDGE-FINGER DIMENSIONS

#	POS REF.	N	DIM "G"	"F"
36		6	8.15	B17
64		20	22.15	B31
98		37	39.15	B48
164		70	72.15	B81

PIN "F" SEE TABLE 2.40±0.10  
NOTE 4

CONFIDENTIAL

mat'l. code				tolerances unless otherwise specified		CUSTOMER COPY		FCI	
ltr	ecn no	dr	date	linear	.X ±	projection	title	www.fciconnect.com	
J					.XX ±	⊕	PCI EXPRESS CARD EDGE ASS'Y		
				angles	.XXX ±	MM	product family	EDGE CARD	code
				dr	0° ±2'	←	size	dwg no	TWN
				enrg		scale	A4	10018784	sheet
				chr		2:1			4 of
				appd					
sheet index	revision sheet								

ACAD PDM: Rev:R STATUS Released 22526 Formed: Jun 28, 2010

NOTES:

1.MATERIAL:  
 HOUSING: NYLON, GLASS FILLED UL94V-0 RATE, SUITABLE FOR WAVE SOLDERING.  
 TERMINAL: COPPER ALLOY  
 PLATING: 50u" NICKEL UNDERPLATE ALL OVER  
 CONTACT AREA PLATING - SEE PRODUCT NUMBER CODE  
 SOLDER TAIL: TIN/LEAD (90/10) - SEE PRODUCT NUMBER CODE 100u" MIN. OVER 50u" NICKEL  
 METAL BOARD LOCKS: COPPER ALLOY  
 FINISH: 100u" TIN/LEAD (90/10) OVER 50u" NICKEL UNDERPLATE SEE PRODUCT NUMBER CODE

2.PRODUCT SPECIFICATION: GS-12-233

③THE HORIZONTAL AXIS FOR THE HOLE PATTERN IS ESTABLISHED BY A LINE THROUGH THE CENTER OF THE TWO #2.35 HOLES. THE VERTICAL AXIS IS 90° TO THE HORIZONTAL AXIS, THROUGH THE CENTER OF DATUM Z.

④NO TIE BAR PERMITTED FROM CARD EDGE TO LEADING EDGE OF PAD FOR PINS A1 AND PIN NUMBERS "F".

⑤CHAMFER EDGES MUST BE FREE OF CUTTING BURRS.

⑥FREQUENCY & LOCATION AT SUPPLIER DISCRETION. RIDGE MAY BE CONTINUOUS WITH NO BREAKS.

7.RoHS COMPATIBLE PRODUCT SPECIFICATIONS

a - PLATING:

- "LF" MEANS THE PRODUCT IS LEAD-FREE, 2um MINIMUM MATTE TIN OVER 1.27um MINIMUM NICKEL UNDERPLATE.

b - MANUFACTURING PROCESS COMPATIBILITY

- THE HOUSING WILL WITHSTAND EXPOSURE TO 260°C±5°C SOLDER BATH TEMPERATURE FOR 5 SECONDS IN A WAVE SOLDER APPLICATION WITH A 1.6mm MIN THICK CIRCUIT BOARD.  
 - THE HOUSING WILL WITHSTAND EXPOSURE TO 240°C±5°C SOLDER BATH TEMPERATURE FOR 5 SECONDS IN A WAVE SOLDER APPLICATION WITH A 1.6mm MIN THICK CIRCUIT BOARD.(For 10018784-X 0 X X X X(X X) options)

CONNECTOR	# POS	REF. N	DIM "A"	DIM "B"	DIM "C"	"E"
1 PORT	36	6	7.65	25.00	9.15	6.00
4 PORT	64	20	21.65	39.00	23.15	20.00
8 PORT	98	37	38.65	56.00	40.15	37.00
16 PORT	164	70	71.65	89.00	73.15	70.00

PRODUCT NUMBER CODE  
 10018784-X X X X X X X X X X

HOUSING COLOR OPTIONS

0-WHITE  
 1-BLACK

PEGS OPTIONS

0-PLASTIC PEGS  
 1-METAL BOARD LOCKS

TERMINAL PLATING OPTIONS

- 0-50u" Ni UNDERPLATE  
 30u" Au CONTACT AREA  
 100u" TIN TAIL AREA ----- COMPATIBLE RoHS
- 1-50u" Ni UNDERPLATE  
 15u" Au CONTACT AREA  
 100u" TIN TAIL AREA ----- COMPATIBLE RoHS
- 2-50u" Ni UNDERPLATE  
 GOLD FLASH CONTACT AREA  
 100u" TIN TAIL AREA ----- COMPATIBLE RoHS
- 3-50u" Ni UNDERPLATE  
 30u" Au CONTACT AREA  
 100u" TIN/LEAD TAIL AREA ----- INCOMPLIANT RoHS
- 4-50u" Ni UNDERPLATE  
 15u" Au CONTACT AREA  
 100u" TIN/LEAD TAIL AREA ----- INCOMPLIANT RoHS
- 5-50u" Ni UNDERPLATE  
 GOLD FLASH CONTACT AREA  
 100u" TIN/LEAD TAIL AREA ----- INCOMPLIANT RoHS

LEAD FREE OPTION

LEAVE BLANK FOR TERMINAL PLATING 3,4,5  
 "LF" FOR TERMINAL PLATING OPTION 0,1,2

PACKAGING OPTIONS

T-TRAY PACKAGING  
 M-TRAY PACKAGING & MYLAR TAPE FOR PICK-N-PLACE. SEE FIGURE 1

POS OPTIONS

0-36  
 1-64  
 2-98  
 3-164

TAIL LENGTH OPTIONS

DIM "D"	PCB THICKNESS	BOARD LOCKS DIM"G"
0 2.30 <sup>+0.25</sup> <sub>-0.13</sub>	1.56±0.10	1.70±0.15
1 3.10 <sup>+0.25</sup> <sub>-0.13</sub>	2.36±0.10	2.50±0.15

CONFIDENTIAL

mat'l. code				tolerances unless otherwise specified				CUSTOMER COPY		FCI www.fciconnect.com	
ltr	ecr no	dr	date	linear	.X ±	projection	title	PCI EXPRESS		EDGE CARD	
R					.XX ±	MM	product family	CARD EDGE ASS'Y		code	
				angles	.XXX ±		size	dwg no		TWN	
				dr	0° ±2°		A4	10018784		sheet 5 of	
				enrg		scale					
				chr	MAGGIE WU 07/30/02	1:1					
				appd	R Y LIU 07/30/02						
					JENN TSAO 07/30/02						
sheet index	revision sheet										

ACAD

PDM: Rev:R

STATUS Released 22526 Formed: Jun 28, 2010

Tous droits strictement reserves. Reproduction ou communication a des tiers interdite sous quelque forme que ce soit sans autorisation écrite du propriétaire. Property of FCI. Droits de reproduction FCI.

All rights strictly reserved. Reproduction or issue to third parties in any form whatever is not permitted without written authority from the proprietor. Property of FCI. Copyright FCI.

Tous droits strictement réservés. Reproduction ou communication a des tiers interdite sous quelque forme que ce soit sans autorisation écrite du propriétaire. Propriété de c FCI. Droits de reproduction FCI.



All rights strictly reserved. Reproduction or issue to third parties in any form whatever is not permitted without written authority from the proprietor. Property of FCI. Copyright FCI.

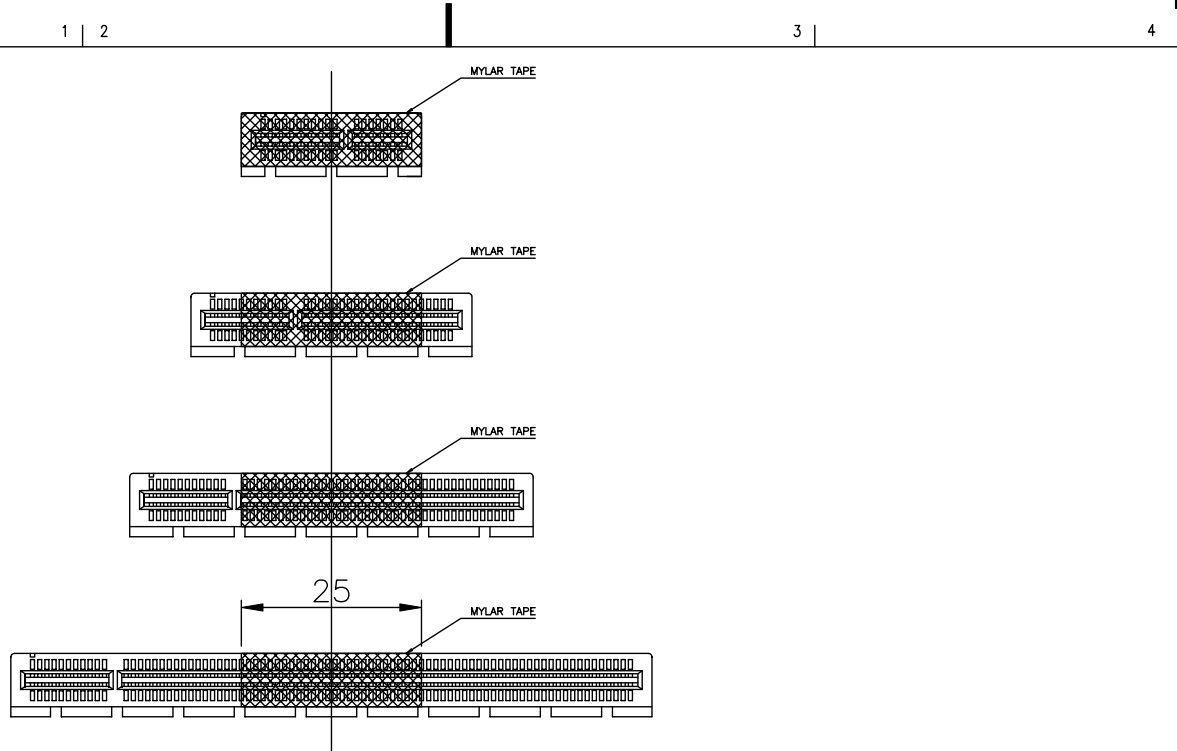


FIGURE 1

CONFIDENTIAL

mat'l. code				tolerances unless otherwise specified			CUSTOMER COPY		www.fciconnect.com		
ltr	ecn no	dr	date	linear	.X ± 0.25		projection	title			
M					.XX ± 0.13			PCI EXPRESS CARD EDGE ASS'Y			
					.XXX ± 0.05			product family EDGE CARD code			
				angles	0° ± 2°			size TWN			
				dr	MAGGIE WU	06/07/05		sheet 6 of			
				engr	R Y LIU	06/07/05		A4 10018784			
				chr	R Y LIU	06/07/05	scale				
				appd	JENN TSAO	06/07/05		1.5:1			
sheet index	revision sheet										

ACAD PDM: Rev:R STATUS Released cage code 22526 Formed Jun 28, 2010