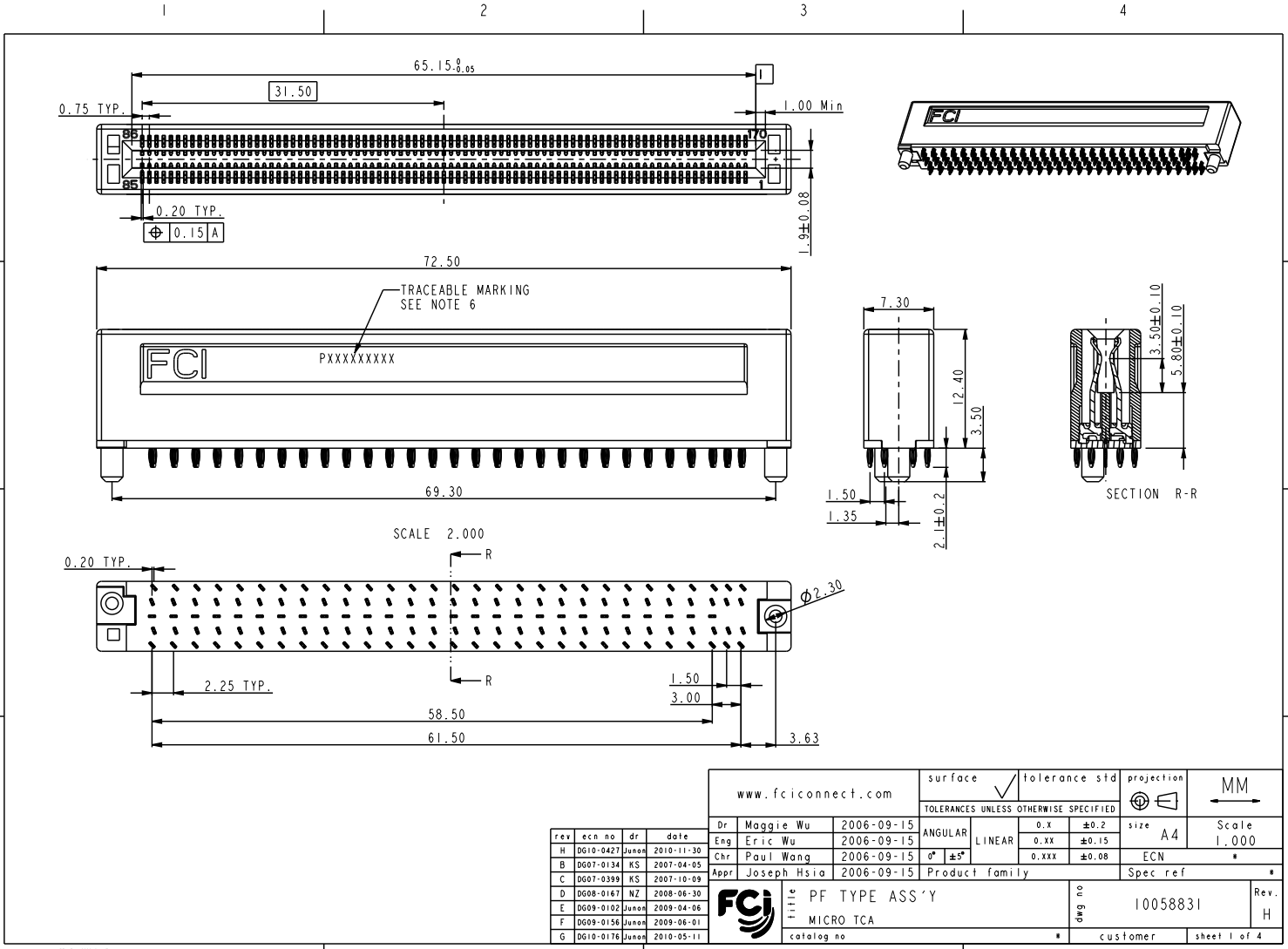




Copyright FCI.

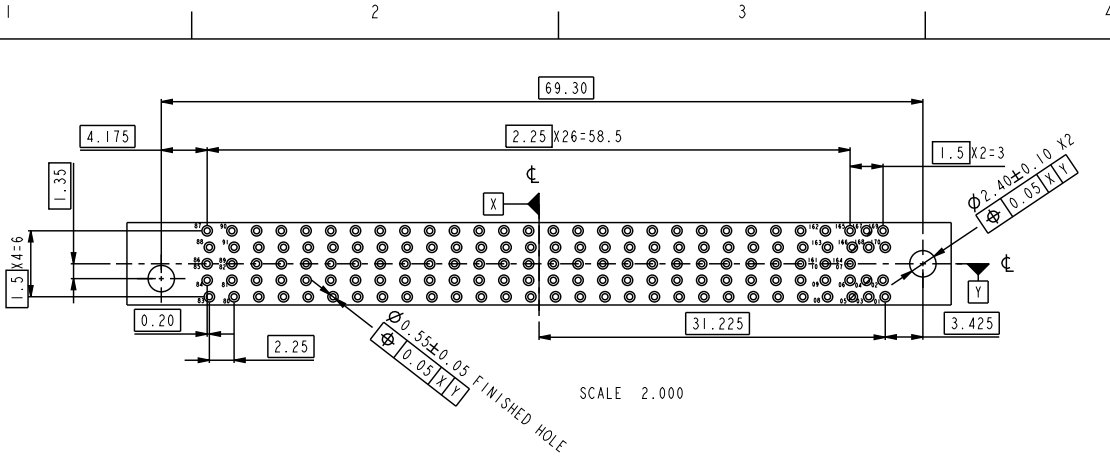


rev	ecn no	dr	date
H	0610-0427	Junon	2010-11-30
B	0607-0134	KS	2007-04-05
C	0607-0399	KS	2007-10-09
D	0608-0147	NZ	2008-06-30
E	0609-0102	Junon	2009-04-06
F	0609-0156	Junon	2009-06-01
G	0610-0176	Junon	2010-05-11

www.fciconnect.com		surface	tolerance std	projection	MM
Dr Maggie Wu 2006-09-15		ANGULAR	0.x ±0.2	size A4	Scale 1.000
Eng Eric Wu 2006-09-15		LINEAR	0.xx ±0.15	ECN	*
Chr Paul Wang 2006-09-15		0° ±5°	0.xxx ±0.08	Spec ref	*
Appr Joseph Hsia 2006-09-15		Product family			
		<b>PF TYPE ASS'Y</b> MICRO TCA		dwg no 10058831	Rev. H
catalog no		customer		sheet 1 of 4	

REV F - 2006-04-07

PDM: Rev:H STATUS:Released 4 Printed: Dec 02, 2010



RECOMMENDED PCB LAYOUT  
(SEE PICMG MICROTCA BASE SPECIFICATION FOR DETAIL)

REMARK:FUNCTIONAL CONTACT PIN LIST OF MATING INTERFACE

POWER	2, 9, 18, 27, 42, 57, 72, 84
GROUND	1, 7, 10, 13, 16, 19, 22, 25, 28, 31, 34, 37, 40, 43, 46, 49, 52, 55, 58, 61, 64, 67, 70, 73, 76, 79, 82, 85, 86, 89, 92, 95, 98, 101, 104, 107, 110, 113, 116, 119, 122, 125, 128, 131, 134, 137, 140, 143, 146, 149, 152, 155, 158, 161, 164, 170
GENERAL PURPOSE	3, 4, 5, 6, 8, 17, 26, 41, 56, 71, 83, 165, 166, 167, 168, 169
DIFFERENTIAL PAIRS	11/12, 14/15, 20/21, 23/24, 29/30, 32/33, 35/36, 38/39, 44/45, 47/48, 50/51, 53/54, 59/60, 62/63, 65/66, 68/69, 74/75, 77/78, 80/81, 87/88, 90/91, 93/94, 96/97, 99/100, 102/103, 105/106, 108/109, 111/112, 114/115, 117/118, 120/121, 123/124, 126/127, 129/130, 132/133, 135/136, 138/139, 141/142, 144/145, 147/148, 150/151, 153/154, 156/157, 159/160, 162/163

	PF TYPE ASS'Y	dwg no	10058831	Rev.	H
	MICRO TCA	customer	sheet 2 of 4		

PDM: Rev:H STATUS:Released <sup>4</sup>Printed: Dec 02, 2010

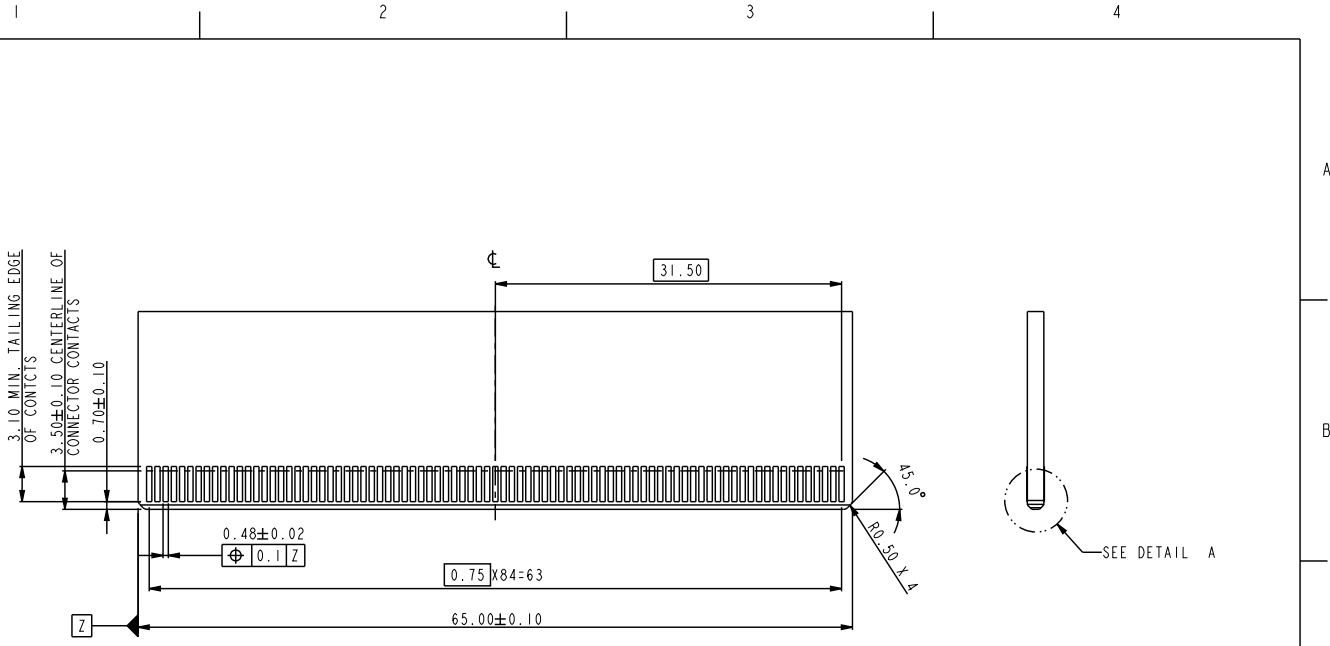


Copyright FCI.

REV F - 2004-04-07

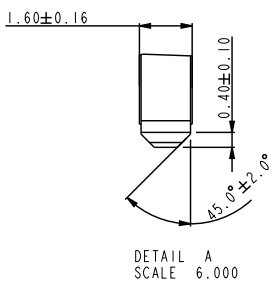


Copyright FCJ.



SCALE 2.000

RECOMMENDED MODULE LAYOUT  
(SEE PICMG ADVANCED MEZZANINE CRAD BASE SPECIFICATION FOR DETAIL)



REV F - 2004-04-07

	TITLE	PF TYPE ASS'Y	dwg no	10058831	Rev. H
	CATALOG NO	MICRO TCA			

PDM: Rev:H STATUS:Released<sup>4</sup> Printed: Dec 02, 2010

NOTES:

1. MATERIAL:  
HOUSING: HIGH TEMPERATURE NYLON, GLASS FILLED UL94V-0  
TERMINAL: COPPER ALLOY
2. FINISH:  
10058831 -XXXLF  
TERMINAL: 50u" NICKEL UNDERPLATE  
CONTACT AREA: SEE PRODUCT NUMBER CODE  
PRESS FIT TAIL: 20u" MIN. Pure Sn OVER 50u" NICKEL.  
10058831 -XXX  
TERMINAL: 50u" NICKEL UNDERPLATE  
CONTACT AREA: SEE PRODUCT NUMBER CODE  
PRESS FIT TAIL: 20u" MIN. SnPb OVER 50u" NICKEL.
3. THE PRODUCT MEETS PICMG MICROTCA SPECIFICATION AS DESCRIBED IN GS-12-422.

PRODUCT NUMBER CODE

10058831 - X X X L F

- LEAD FREE
- 0---With pegs  
1---Without pegs
- HOUSING COLOR OPTIONS  
1-BLACK
- TERMINAL PLATING OPTIONS  
1-30u" Au CONTACT AREA

6. MARKING INFORMATION:

P X X X X X X X X


- PRODUCTION LINE CODE
- DATE CODE THROUGH 01 TO 31
- WEEK NUMBER 01 THROUGH 53
- YEAR CODE:  
MOST RIGHT OF DIGIT OF PRODUCTION.  
(e.g 2007-7)
- MANUFACTURE SITE: 2 FOR DONGGUAN
- SOURCE, P FOR CHINA

HEIGHT OF THE MAKING TEXT: IMM MIN

4. GOLD PLATING NOTE:  
HARD GOLD PLATED, ITS DENSITY IS 17.0g/cu.mm.  
IF USED PURE GOLD DENSITY 19.3g/cu.mm. XRF PROFILE FOR MEASUREMENT, MUST MULTIPLY FACTOR 1.135

PCB NOTE:

5.  $\varnothing 0.64 \pm 0.02$ mm DRILLED HOLES, PLATED WITH 0.8um min CHEM. TIN OVER  
25um MIN .Cu PLATING TO ACHIEVE  $\varnothing 0.55 \pm 0.05$ mm FINISHED HOLES.

	title	PF TYPE ASS'Y	dwg no	10058831	Rev.	H
	catalog no	MICRO TCA	* customer	sheet 4 of 4		

REV F - 2004-04-07

PDM: Rev:H STATUS:Released <sup>4</sup>Printed: Dec 02, 2010

Copyright FCJ.