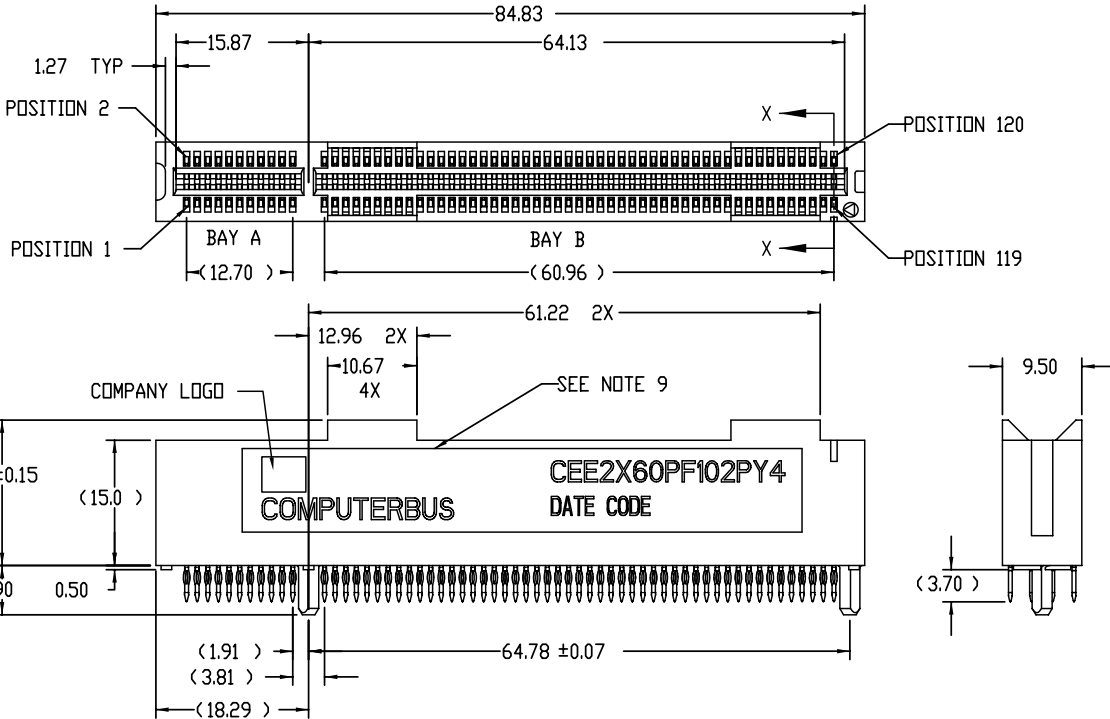


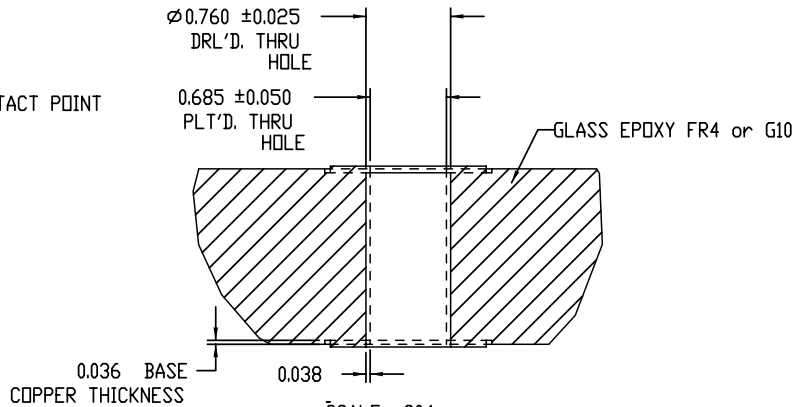
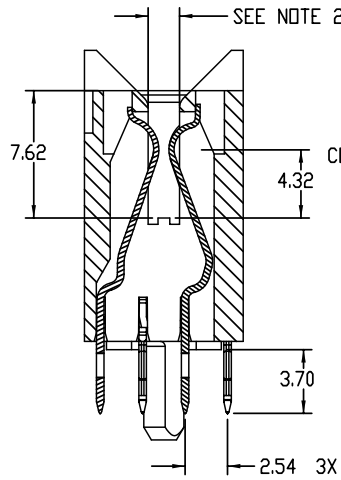
PRODUCT NUMBER
SEE TABLE



| | | | | | | | | | |
|-------------|----------|---------------------|----------|---------------------------------------|-----------|------------|---|--|--|
| mat'l. code | | surface ISO 1902 | | tolerance ISO 406 ISO 1101 | | projection | | product family CARDEdge | |
| l/r | ecm no | dr | date | tolerances unless otherwise specified | | MM | | title CEE 2X60 PF CONNECTOR ASSEMBLY | |
| H | v04-1156 | TAB | 12/08/04 | angles | | .X±.2 | | dwg no | |
| J | M05-0078 | ERE | 04/25/05 | linear | | .XX±.10 | | sheet 1 of 6 size | |
| K | M06-0037 | MHT | 3/30/06 | 0°±1° | | .XXX±.050 | | A3 | |
| L | M06-0234 | AGS | 06/16/06 | dr | G. PETERS | 9/12/01 | | type Product Customer Drawing | |
| M | M06-0328 | MHT | 8/24/06 | engr | D. CASEY | 9/24/01 | | | |
| N | M06-0427 | AGS | 10/26/06 | chr | G. PETERS | 9/12/01 | | | |
| P | M08-0221 | AGS | 07/08/08 | appd | D. CASEY | 9/12/01 | | | |
| sheet | revision | P | P | P | P | P | P | | |
| index | sheet | 1 | 2 | 3 | 4 | 5 | 6 | | |

PDM: Rev:P STATUS:Released Printed: Mar 31, 2010

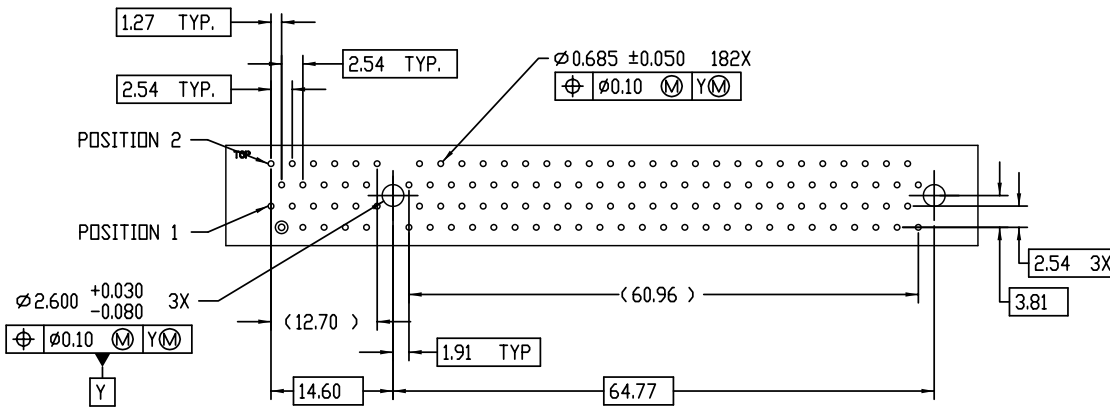
| FCI CATALOG NO. F/CONNECTORS W/CARD COLLECTORS | CONNECTOR SIZE | NO. CONTACTS LOADED | TERMINATION | LOAD PATTERN UNPOPULATED POSITIONS | CONTACT PAIRS BAY A | CONTACT PAIRS BAY B | CONTACT PAIRS BAY C |
|--|-------------------|------------------------|-------------|---------------------------------------|---------------------------|---------------------------|---------------------------|
| CEE2X60PF-102PY4 | 2x60 | 120 | PRESS FIT | FULLY LOADED | 11 | 49 | n/a |
| CEE2X60PF-102PY4W | 2x60 | 120 | PRESS FIT | FULLY LOADED | 11 | 49 | n/a |
| CEE2X60PF-102PY4LF | 2x60 | 120 | PRESS FIT | FULLY LOADED | 11 | 49 | n/a |
| CEE2X60PF102PY4WLF | 2x60 | 120 | PRESS FIT | FULLY LOADED | 11 | 49 | n/a |



RECOMMENDED PLATED THRU HOLE DIMENSIONS
FOR COMPLIANT PRESS PINS

| | | | | | |
|---------------------------------------|-----------|---------------------|----------------------------------|------------|-----------------------------------|
| mat'l. code | | surface ISO 1902 | tolerance ISO 406 ISO 1101 | projection | product family CARDEGE |
| ltr | ecm no | dr | date | title | CEE 2X60 PF CONNECTOR ASSEMBLY |
| tolerances unless otherwise specified | | | | MM | dwg no |
| angles | | linear | .X±.2 | scale | sheet 2 of 6 size |
| 0°±1° | | | .XX±.10 | 3:2 | S97191 |
| | | | .XXX±.050 | | A3 |
| dr | G. PETERS | 9/12/01 | | | type |
| enr | D. CASEY | 9/24/01 | | | Product Customer Drawing |
| chr | G. PETERS | 9/12/01 | | | |
| appd | D. CASEY | 9/12/01 | | | |
| sheet | revision | | | | |
| index | sheet | | | | |

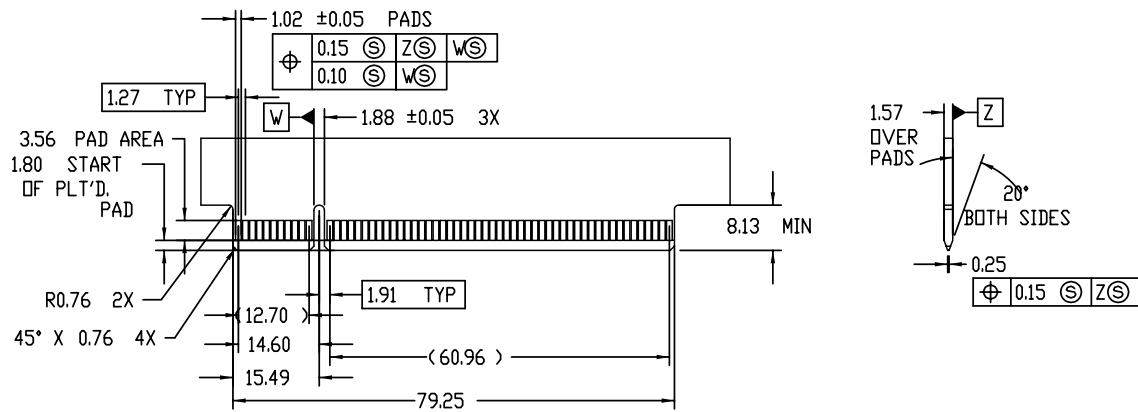
PRODUCT NUMBER
SEE TABLE



RECOMMENDED BACKPLANE HOLE PATTERN FOR CEE2x60PF-102PY4 & CEE2X60PF-102PY4LF
CEE2x60PF-102PY4W & CEE2X60PF102PY4WLF

| | | | | | | | | | |
|-------------|----------|---------------------|-----------|---------------------------------------|-------------------------------|------------------|--------|-----------------------------------|--------------------------|
| mat'l. code | | surface ISO 1902 | | tolerance ISO 406 ISO 1101 | | projection MM | | product family CARDEGE | |
| ltr | ecm no | dr | date | tolerances unless otherwise specified | | title | | CEE 2X60 PF CONNECTOR ASSEMBLY | |
| P | | | | angles | linear | MM | | dwg no | |
| | | | | 0°±1° | .X±.2 .XX±.10 .XXX±.050 | scale 3:2 | | sheet 3 of 6 size | |
| | | dr | G. PETERS | 9/12/01 | FCJ | | S97191 | | A3 |
| | | enrg | D. CASEY | 9/24/01 | | | type | | Product Customer Drawing |
| | | chr | G. PETERS | 9/12/01 | | | | | |
| | | appd | D. CASEY | 9/12/01 | | | | | |
| sheet | revision | | | | | | | | |
| index | sheet | | | | | | | | |

PRODUCT NUMBER
SEE TABLE



RECOMMENDED MATING COMPONENT BOARD FOR CEE2x60PF-102PY4 & CEE2x60PF-102PY4LF
CEE2x60PF-102PY4W & CEE2x60PF102PY4WLF

| | | | | | |
|-------------|----------------|---------------------|----------------------------------|------------|--|
| mat'l. code | | surface ISO 1302 | tolerance ISO 406 ISO 1101 | projection | product family CARDEDGE |
| ltr | ecrn no | dr | date | MM | title CEE 2X60 PF CONNECTOR ASSEMBLY |
| P | | | | scale 3:2 | dwg no S97191 |
| | | | | | sheet 4 of 6 size A3 |
| | | | | | Type Product Customer Drawing |
| sheet index | revision sheet | | | | |

PDM: Rev:P STATUS:Released Printed: Mar 31, 2010

PRODUCT NUMBER
SEE TABLE

NOTES:

1. INTERPRET THIS DRAWING IN ACCORDANCE WITH ANSI Y14.5M -1982.
2. CONNECTORS WITH CARD COLLECTING SCOOPS ARE DESIGNED TO ACCOMMODATE 1.57+/- .180 PC BOARDS WITH WARPAGE UP TO +/-2.03.
3. RECOMMENDED COMPONENT BOARD MATERIAL:
P.C. BOARD:FR-4 WITH 28.35 GRAMS MIN. COPPER, PADS PLATED WITH .76 MICRONS MIN GOLD, PER MIL-G-45204, TYPE 1, CLASS 1, GRADE C OVER 2.54 MICRONS MIN NI. UNDERPLATE PER QQ-N-290.
4. RECOMMENDED BACK PLANE THICKNESS IS 2.39 FOR 3.71 COMPLIANT TAIL.
5. CONTACT MATING SURFACES ARE LUBRICATED WITH OS-138.
6. MATERIAL:
 BODY: POLYPHTHALAMIDE (PPA) UL RATED 94V-0
 COLOR, BLACK
 LIQUID CRYSTAL POLIMER (LCP) 30% GF
 COLOR, NATURAL
 CONTACTS: PHOS BRONZE
 CONTACT FINISH:
 MAYBE BE EITHER 30μ*(0.76μm) GOLD OR 30μ*(0.76μm) GXT PLATED AT MANUFACTURER'S OPTION IN CRITICAL CONTACT AREA.
 1-3μm (39-118μ") TIN-LEAD OVER 1.27μm(50μ") NI UNDERPLATE ON CONTACT TAILS.
LEAD FREE OPTION:
 MAYBE BE EITHER 30μ*(0.76μm) GOLD OR 30μ*(0.76μm) GXT PLATED AT MANUFACTURER'S OPTION IN CRITICAL CONTACT AREA.
 1-3μm (39-118μ") PURE TIN OVER 1.27μm(50μ") NI UNDERPLATE ON CONTACT TAILS.
7. PERFORMANCE CHARACTERISTICS: SEE SHEET 7.
8. ITEM NAME, LOGO, PART NUMBER, DATE CODE, AND UL SYMBOLS TO BE DISPLAYED IN THIS AREA. NATURAL COLOR CONNECTOR ONLY WILL HAVE DATE CODE DISPLAYED.
9. LF SUFFIX AT THE END OF PART NUMBER IS LEAD FREE.
10. THIS PRODUCT MEETS EUROPEAN UNION DIRECTIVES AND OTHER COUNTRY REGULATION AS DESCRIBED IN GS-22-008.
11. PART NUMBERS WITH "W" AT THE END OR "W" BEFORE "LF" ARE MOLDED IN NATURAL COLOR.

| | | | | | |
|-------------|----------------|---------|-----------|-----------------------------------|--------------------------|
| mat'l. code | | surface | tolerance | projection | product family |
| ISO 1902 | | ISO 406 | ISO 1101 | | CARDEDGE |
| ltr | ecr no | dr | date | title | |
| P | | | | CEE 2X60 PF CONNECTOR ASSEMBLY | |
| angles | | linear | .XX±.2 | MM | scale 3:2 |
| 0°±1° | | | .XXX±.050 | | |
| dr | G. PETERS | 9/12/01 | | | dwg no |
| enr | D. CASEY | 9/24/01 | | | sheet 5 of 6 size |
| chr | G. PETERS | 9/12/01 | | | S97191 |
| appd | D. CASEY | 9/12/01 | | | A3 |
| sheet index | revision sheet | | | Type | Product Customer Drawing |

PRODUCT NUMBER
SEE TABLE

PERFORMANCE CHARACTERISTICS:

ENVIRONMENTAL:

OPERATING TEMPERATURE: -40C TO 105C
THERMAL SHOCK: EIA-364 TP32, -55C TO +85C, 5 CYCLES

FLAMABILITY RATING: UL94V-0

MECHANICAL:

DURABILITY: 100 MATING CYCLES WITHOUT PHYSICAL DAMAGE, OR EXCEEDING LOW LEVEL CONTACT RESISTANCE REQUIREMENTS WHEN MATED WITH RECOMMENDED CARD.

CONTACT RETENTION: EIA-364 TP29. 4.4 N MIN.

MATING FORCE: EIA-364 TP13, 2.0 N MAX. AVERAGE PER OPPOSING PAIR USING GAUGE PER MIL-STD-C-21097 WITH CARD PROFILE

CONTACT NORMAL FORCE: 0.72 N MINIMUM

PRESS FIT TERMINATION FORCES: INSERTION FORCE 70 N MAX. PER PIN
RETENTION FORCE 9 N MIN. PER PIN

ELECTRICAL:

CONTACT RESISTANCE: EIA-364 TP45, WITH 10 MILLIOHM MAX. INITIAL, 20 (LOW SIGNAL LEVEL) MILLIOHM RISE. COMPONENT BOARD SIDE - 1 MILLIOHM MAX., CONNECTION PRESS FIT PIN WITH w/PLATED THROUGH HOLE.

INSULATION RESISTANCE: MIL-STD-202, METHOD 302, CONDITION B, 1000 MEGAOHMS MIN.

DIELECTRIC WITHSTAND VOLTAGE: EIA-364 TP45, CONDITION 1, 500 VAC RM

CAPACITANCE: 2 PICO FARADS, MAX AT 1 MEGAHERTZ

CURRENT RATING: 1 AMP, 30C RISE ABOVE AMBIENT

VOLTAGE RATING: 150 VAC (RMS)

| | | | | | |
|-------------|----------------|---------------------|----------------------------------|-----------------------------------|----------------------------|
| mat'l. code | | surface ISO 1902 | tolerance ISO 406 ISO 1101 | projection | product family CARDEDGE |
| ltr | ecr no | dr | date | title | |
| P | | | | CEE 2X60 PF CONNECTOR ASSEMBLY | |
| | | angles | linear | MM | scale 3:2 |
| | | 0°±1° | .XX±.10 | sheet 6 of 6 size | |
| | | | .XXX±.050 | A3 | |
| | | dr | G. PETERS 9/12/01 | dwg no S97191 | |
| | | enr | D. CASEY 9/24/01 | Type Product Customer Drawing | |
| | | chr | G. PETERS 9/12/01 | | |
| | | appd | D. CASEY 9/12/01 | | |
| sheet index | revision sheet | | | | |