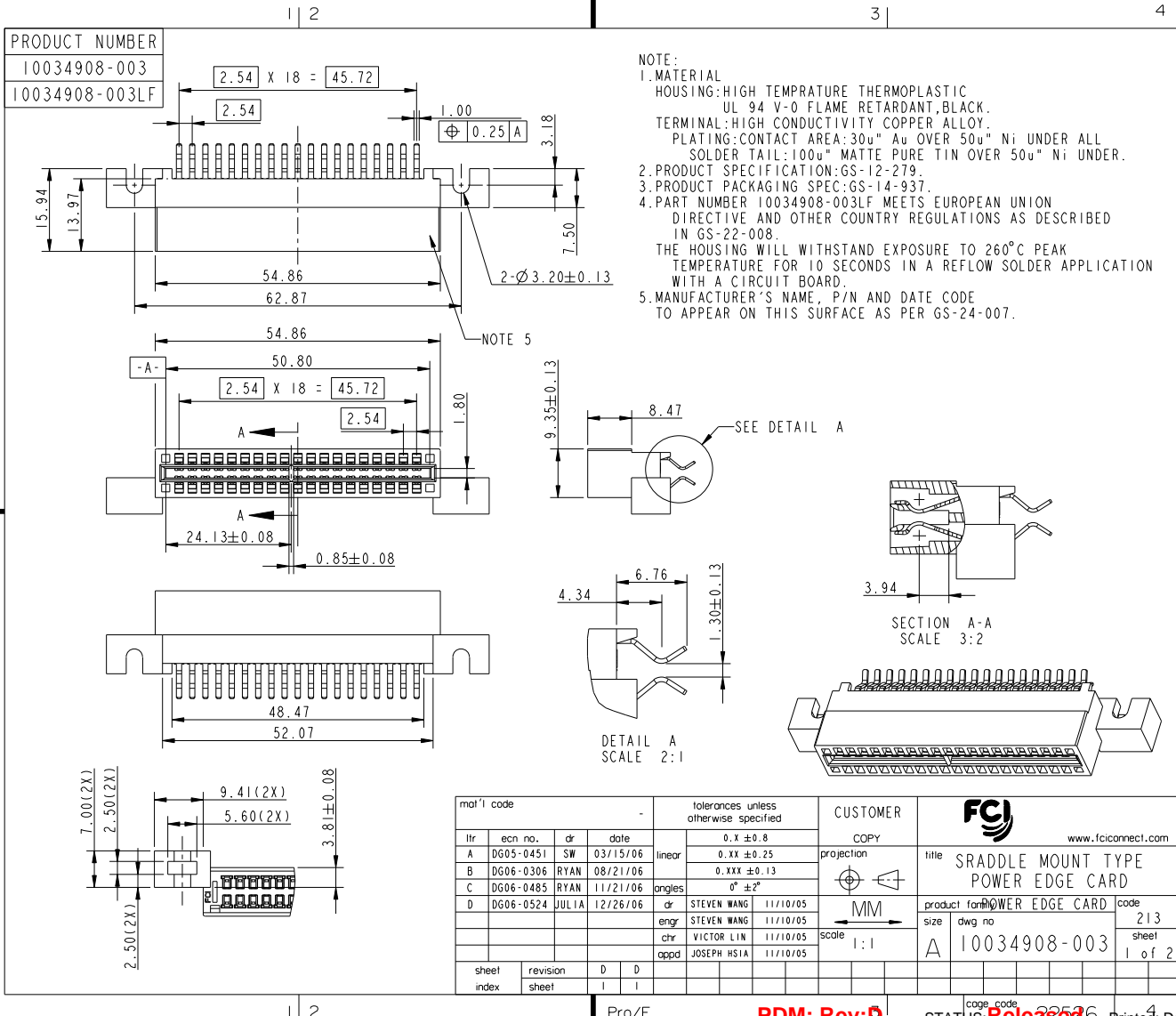


Tous droits strictement réservés. Reproduction ou communication à des tiers interdite sous quelque forme que ce soit sans autorisation écrite du propriétaire. Propriété de FCI. Droits de reproduction FCI.



All rights strictly reserved. Reproduction or issue to third parties in any form whatever is not permitted without written authority from the proprietor. Property of FCI. Copyright FCI.



| mat'l code | | | | tolerances unless otherwise specified | | CUSTOMER | | FCI | |
|-------------|----------------|-------|----------|---------------------------------------|----------------------|----------|------------|--------------------|--------------------|
| ltr | ecn no. | dr | date | linear | 0.X ±0.8 | COPY | projection | title | www.fciconnect.com |
| A | DG05-0451 | SW | 03/15/06 | | 0.XX ±0.25 | | | SRADDLE MOUNT TYPE | |
| B | DG06-0306 | RYAN | 08/21/06 | | 0.XXX ±0.13 | | | POWER EDGE CARD | |
| C | DG06-0485 | RYAN | 11/21/06 | angles | 0° ±2° | | | | |
| D | DG06-0524 | JULIA | 12/26/06 | dr | STEVEN WANG 11/10/05 | | | product form | code |
| | | | | eng | STEVEN WANG 11/10/05 | | | size | 213 |
| | | | | chr | VICTOR LIN 11/10/05 | | | dwg no | sheet |
| | | | | appd | JOSEPH HSIA 11/10/05 | | | A 10034908-003 | 1 of 2 |
| sheet index | revision sheet | D I | D I | | | | | | |

Pro/E

PDM: Rev: D

STATUS: Released

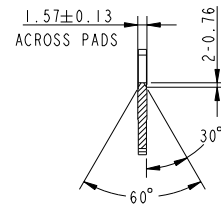
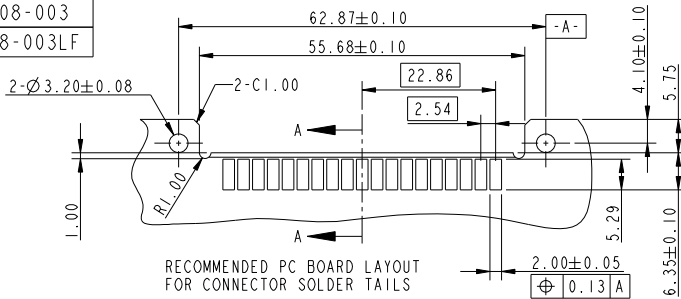
Printed: Dec 03, 2010

Tous droits strictement réservés. Reproduction ou communication à des tiers interdite sous quelque forme que ce soit sans autorisation écrite du propriétaire. Propriété de FCI. Droits de reproduction FCI.

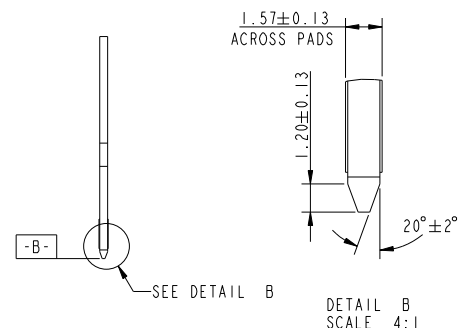
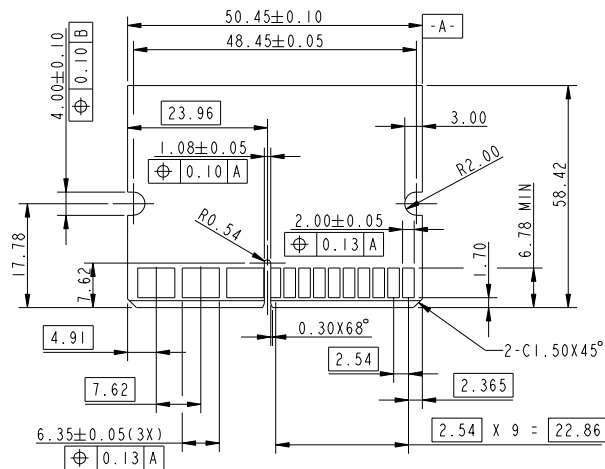


All rights strictly reserved. Reproduction or issue to third parties in any form whatever is not permitted without written authority from the proprietor. Property of FCI. Copyright FCI.

| |
|----------------|
| PRODUCT NUMBER |
| 10034908-003 |
| 10038908-003LF |



SECTION A-A



RECOMMENDED MATING BOARD EDGE CONFIGURATION

| | | | | | | | | | |
|-------------|----------------|----|------|---------------------------------------|----------------------|------------|---|---------------------------|--|
| mat'l code | | | | tolerances unless otherwise specified | | CUSTOMER | | FCI www.fciconnect.com | |
| lfr | ecm no. | dr | date | linear | 0.X ±0.8 | COPY | title STRADDLE MOUNT TYPE POWER EDGE CARD | | |
| D | | | | angles | 0.XX ±0.25 | projection | product family POWER EDGE CARD code 213 | | |
| | | | | dr | 0.XXX ±0.13 | MM | size dwg no 10034908-003 sheet 2 of 2 | | |
| | | | | engr | 0° ±2° | scale | A 1:1 | | |
| | | | | chr | STEVEN WANG 11/10/05 | | | | |
| | | | | appd | STEVEN WANG 11/10/05 | | | | |
| | | | | | VICTOR LIN 11/10/05 | | | | |
| | | | | | JOSEPH HSIA 11/10/05 | | | | |
| sheet index | revision sheet | | | | | | | | |

1 | 2

Pro/E

PDM: Rev: D

STATUS: Released

Printed: Dec 03, 2010