

(0,635mm) .025"

MEC6-DV, MEC6-RA SERIES

# MICRO EDGE CARD SOCKET

Mates with:  
(1,60mm) .062" thick cards

## SPECIFICATIONS

For complete specifications and recommended PCB layouts see [www.samtec.com?MEC6-DV](http://www.samtec.com?MEC6-DV) or [www.samtec.com?MEC6-RA](http://www.samtec.com?MEC6-RA)

**Insulator Material:** Black LCP  
**Contact Material:** Phosphor Bronze  
**Plating:** Au or Sn over 50µ" (1,27µm) Ni



**Operating Temp Range:** -55°C to +125°C

**Insertion Depth:** (4,22mm) .166" to (5,66mm) .223"

**Current Rating:** Testing Now!

**Voltage Rating:** Testing Now!

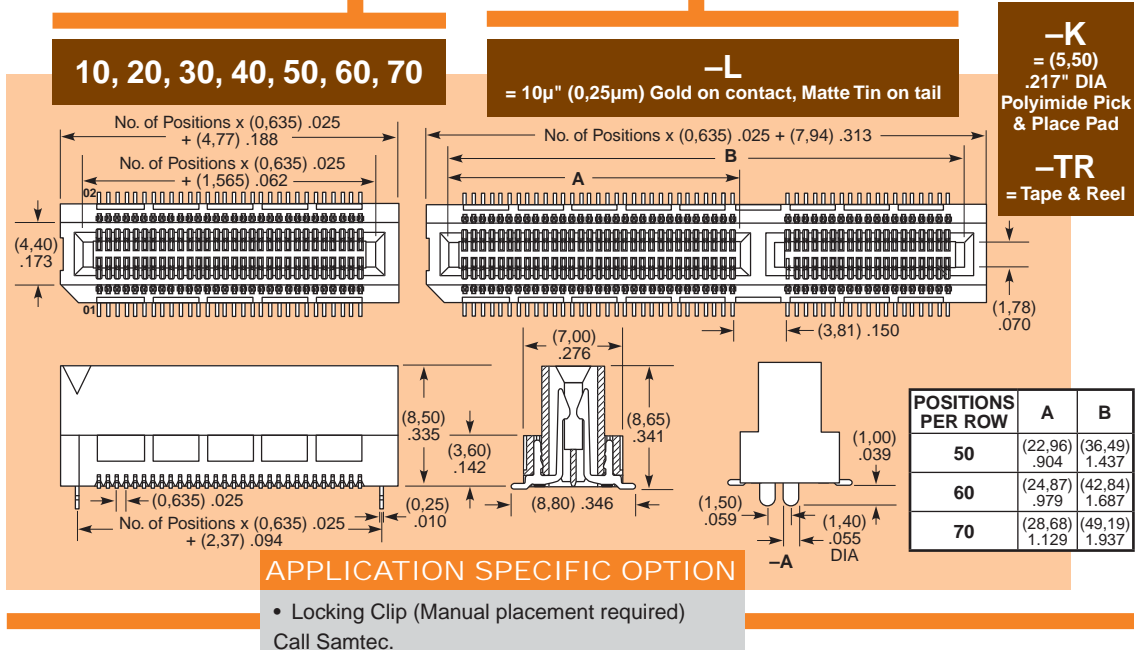
**RoHS Compliant:** Yes

### Processing:

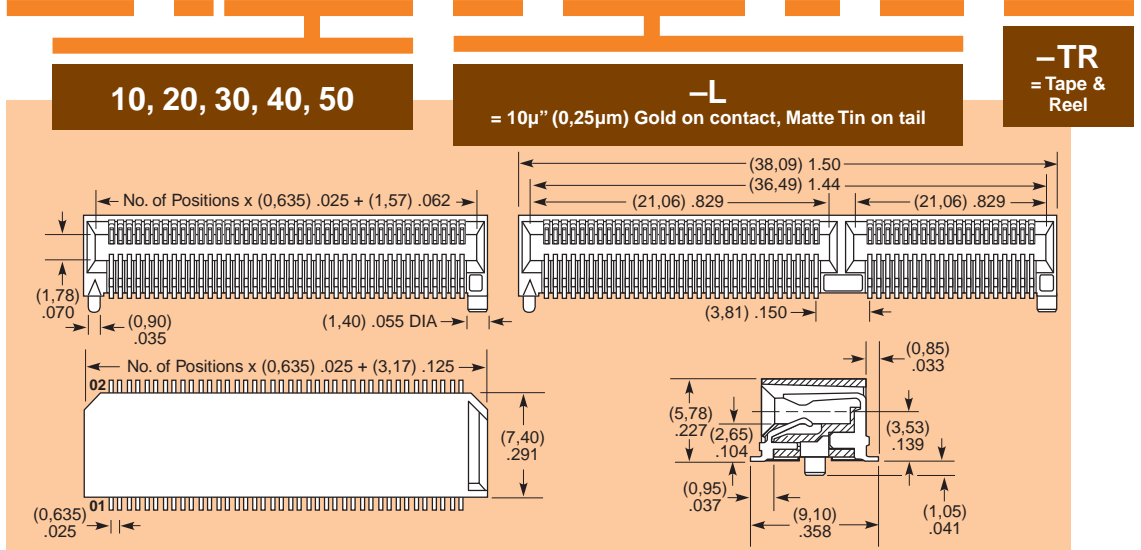
**Lead-Free Solderable:** Yes

**MEC6-DV SMT Lead Coplanarity:** (0,10mm) .004" max (10-50) (0,15mm) .006" max (60-70)

**MEC6-RA SMT Lead Coplanarity:** (0,10mm) .004" max (10-30) (0,15mm) .006" max (40-50)



0,635mm MEC6-DV	Rated @ -3dB Insertion Loss
8,65mm Stack Height	
Single-Ended Signaling	7.5 GHz / 15 Gbps
Differential Pair Signaling	7.0 GHz / 14 Gbps
Performance data for other stack heights and complete test data available at <a href="http://www.samtec.com?MEC6-DV">www.samtec.com?MEC6-DV</a> or contact sig@samtec.com	



0,635mm MEC6-RA	Rated @ -3dB Insertion Loss
5,78mm Stack Height	
Single-Ended Signaling	7.0 GHz / 14 Gbps
Differential Pair Signaling	7.0 GHz / 14 Gbps
Performance data for other stack heights and complete test data available at <a href="http://www.samtec.com?MEC6-RA">www.samtec.com?MEC6-RA</a> or contact sig@samtec.com	

**Note:** Other Gold plating options available. Contact Samtec.  
**Note:** Some sizes, styles and options are non-standard, non-returnable.

Due to technical progress, all designs, specifications and components are subject to change without notice.

[WWW.SAMTEC.COM](http://WWW.SAMTEC.COM)