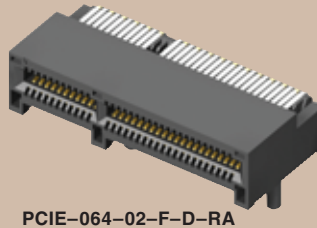
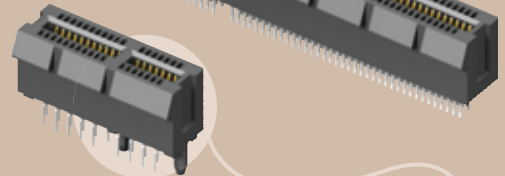


PCIE-098-02-F-D-EM2



PCIE-064-02-F-D-RA



PCIE-036-02-F-D-TH

# PCI EXPRESS® CARD SOCKETS

## SPECIFICATIONS

For complete specifications and recommended PCB layouts see [www.samtec.com?PCIE](http://www.samtec.com?PCIE)

**Insulator Material:**

Black Nylon  
**Contact:**  
 Phosphor Bronze



**Plating:**

Au or Sn over 50µ" (1,27µm) Ni  
**Current Rating:**  
 Testing Now!

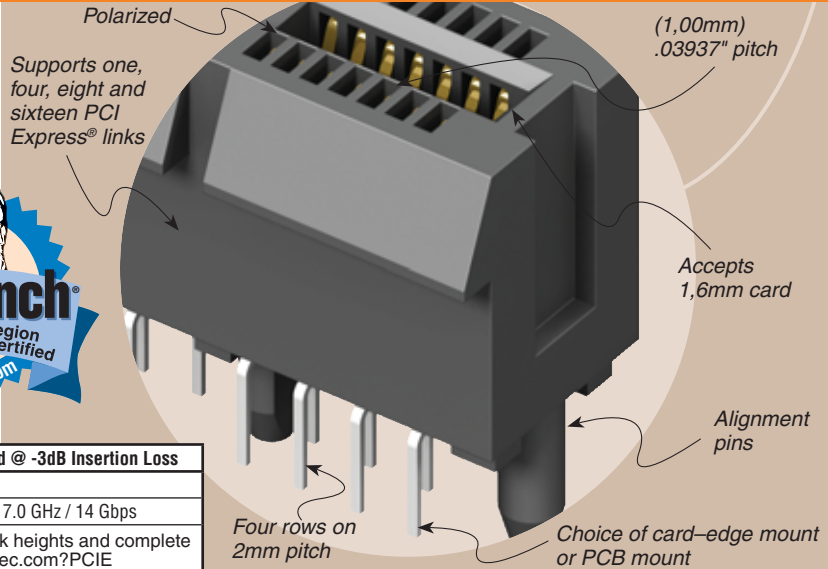
**Operating Temp:**  
 -55°C to +125°C  
**Card Insertion Depth:**  
 (8,00mm) .315" nominal

**RoHS Compliant:**  
 Yes

**Processing:**

**Max Processing Temp:**  
 230°C for 60 seconds  
**Lead-Free Solderable:**  
 Wave only

**Mates with:**  
 .062" (1,60mm) Card



|   |                             |
|---|-----------------------------|
| PCIE  | Rated @ -3dB Insertion Loss |
| 11,1mm Stack Height   |                             |
| Differential Pair Signaling   | 7.0 GHz / 14 Gbps           |
| Performance data for other stack heights and complete test data available at <a href="http://www.samtec.com?PCIE">www.samtec.com?PCIE</a> or contact sig@samtec.com |                             |

## APPLICATION SPECIFIC OPTION

Other plating options available.  
 Call Samtec.

PCIE

NO. OF POSITIONS

02

PLATING OPTION

D

TAIL OPTION

-036, -064, -098, -164

-F

= Gold flash on contact, Tin on tail

-EM2

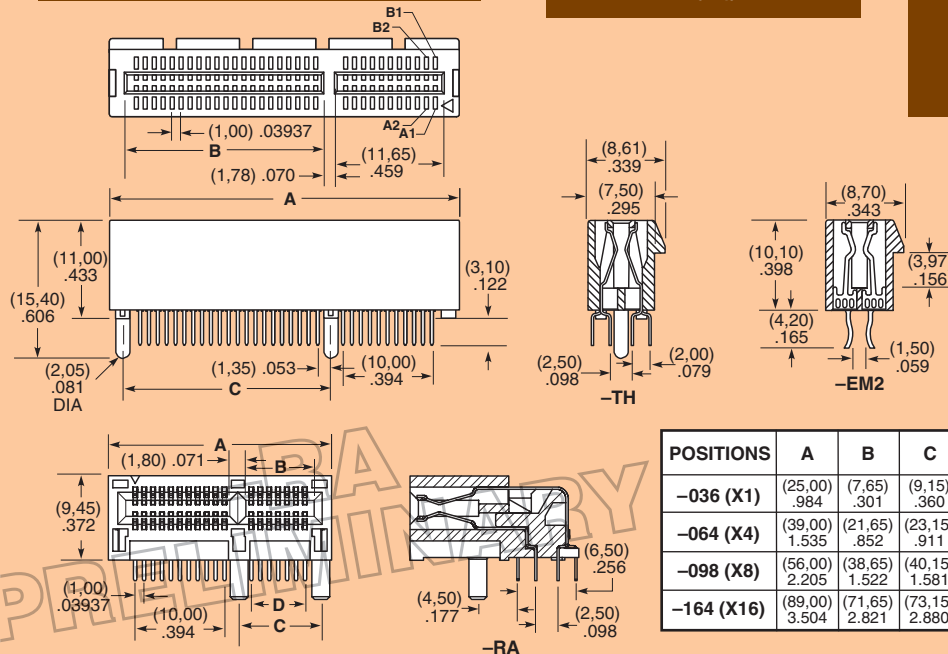
= Edge Mount

-TH

= Through-hole

-RA

= Right Angle



| POSITIONS  | A                | B                | C                | D                |
|------------|------------------|------------------|------------------|------------------|
| -036 (X1)  | (25,00)<br>.984  | (7,65)<br>.301   | (9,15)<br>.360   | (6,00)<br>.236   |
| -064 (X4)  | (39,00)<br>1.535 | (21,65)<br>.852  | (23,15)<br>.911  | (20,00)<br>.787  |
| -098 (X8)  | (56,00)<br>2.205 | (38,65)<br>1.522 | (40,15)<br>1.581 | (37,00)<br>1.457 |
| -164 (X16) | (89,00)<br>3.504 | (71,65)<br>2.821 | (73,15)<br>2.880 | (70,15)<br>2.756 |

PCI Express® is a registered trademark of PCI-SIG

**Note:** Some lengths, styles and options are non-standard, non-returnable.

Due to technical progress, all designs, specifications and components are subject to change without notice.

WWW.SAMTEC.COM

SAMTEC USA • Tel: 1-800-SAMTEC-9 or 812-944-6733 SAMTEC SILICON VALLEY • Tel: 408-395-5900 SAMTEC SOUTHERN CALIFORNIA • Tel: 1-800-726-8329 SAMTEC UK • Tel: 44 01236 739292  
 SAMTEC GERMANY • Tel: +49 (0) 89 / 89460-0 SAMTEC FRANCE • Tel: 33 01 60 95 06 60 SAMTEC ITALY • Tel: 39 039 6890337 SAMTEC NORDIC/BALTIC • Tel: +46-84477280 SAMTEC BENELUX • Tel: 44 01236 739292  
 SAMTEC ISRAEL • Tel: 972-3-7526600 SAMTEC INDIA • Tel: +91-80-3272 1612 SAMTEC ASIA PACIFIC • Tel: 65 6745-5955 SAMTEC JAPAN • Tel: 045-475-1385 SAMTEC CHINA • Tel: 86-21-61103786  
 SAMTEC TAIWAN • Tel: 886-2-2735-6109 SAMTEC HONG KONG • Tel: 852-26904858 SAMTEC KOREA • Tel: 82-31-717-5685 SAMTEC SOUTH AFRICA • Tel: 27 11 452 8112 SAMTEC ANZ • Tel: 613 9512 7747