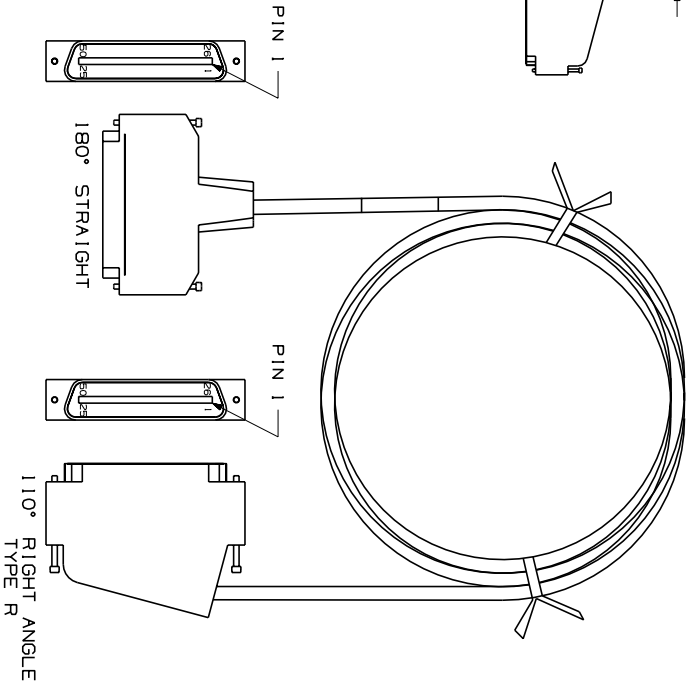
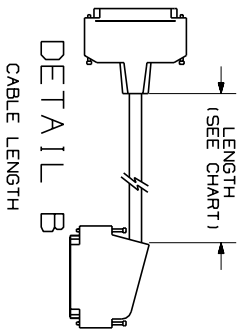


THIS COPY IS PROVIDED ON A RESTRICTED BASIS AND IS NOT TO BE USED IN ANY WAY DETRIMENTAL TO THE INTERESTS OF PANDUIT CORP.



PART NUMBER	LENGTH	WEIGHT
UTPCH6SR25Y	+6" (152.41)/-2" (50.8)	1.20 LB/EACH (545 G/EACH)
UTPCH10SR25Y	8' (2438.4)	1.44 LB/EACH (654 G/EACH)
UTPCH15SR25Y	10' (3048)	2.05 LB/EACH (932 G/EACH)
UTPCH20SR25Y	15' (4572)	2.86 LB/EACH (1209 G/EACH)
UTPCH6SR25Y	20' (6096)	3.96 LB/EACH (1798 G/EACH)
UTPCH6SR25Y	6' (1829)	1.20 LB/EACH (545 G/EACH)

- NOTES:
- SEE CURRENT CATALOG TO INDICATE PACKAGE QUANTITY.
 - SEE CATALOG FOR COMPLETE LIST OF PARTS APPLICABLE FOR USE WITH THIS PART.
 - MATES WITH FEMALE RJ21 CONNECTOR AND 10/100 BASE T PATCH PANEL.
 - CATEGORY 5 AND POWER SUM RATED.
 - DIMENSIONS IN PARENTHESES ARE IN METRIC.

CAD FILENAME/LAYERS
M02479K1_DC270_00A.PRT

PANDUIT
CORP., TINLEY PARK, ILLINOIS

25 PAIR PATCH CORD ASSEMBLY ONE 110°
RIGHT RJ21 MALE CONNECTOR AND ONE
180° RJ21 CUSTOMER DRAWING
(UTPCH(X)SR25Y)

UNLESS OTHERWISE SPECIFIED,
DIMENSIONAL TOLERANCES ARE:
(.XX) ±.031(.8) ANGLES ±
(.XX) ±.010(.3)

UNLESS OTHERWISE SPECIFIED,
ALL DIMENSIONS ARE GIVEN
IN INCHES, THIRD ANGLE PROJECTION.

REV	DATE	BY	CHK	DESCRIPTION	ECN	CHK	CUST	SUP	DATE	DATE	MAT'L:	DRAWING NO.	DWG
R	3-20-06	NER		RELEASED TO PRODUCTION.	02479-270				3-20-06	3-20-06	CONNECTOR HSG: UL94 V-0 THERMOPLASTIC CABLE JACKET: PVC	02479-270	A

SCALE
NONE

DWG
SIZE
A