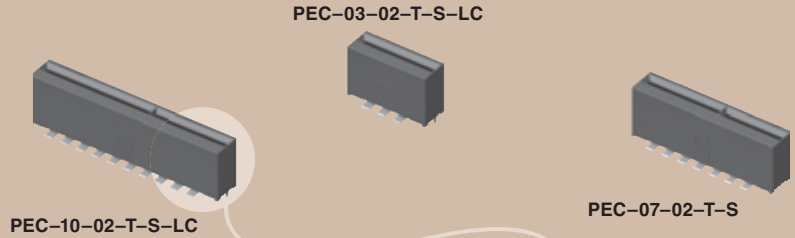


(2,54mm) .100"

PEC SERIES



POWER EDGE CARD INTERFACE

SPECIFICATIONS

For complete specifications and recommended PCB layouts see www.samtec.com?PEC

Insulator Material:
Black Liquid Crystal Polymer

Contact Material:
BeCu

Plating:
Sn over 50µ" (1,27µm) Ni

Operating Temp Range:
-55°C to +105°C

Voltage Rating:
250 VAC

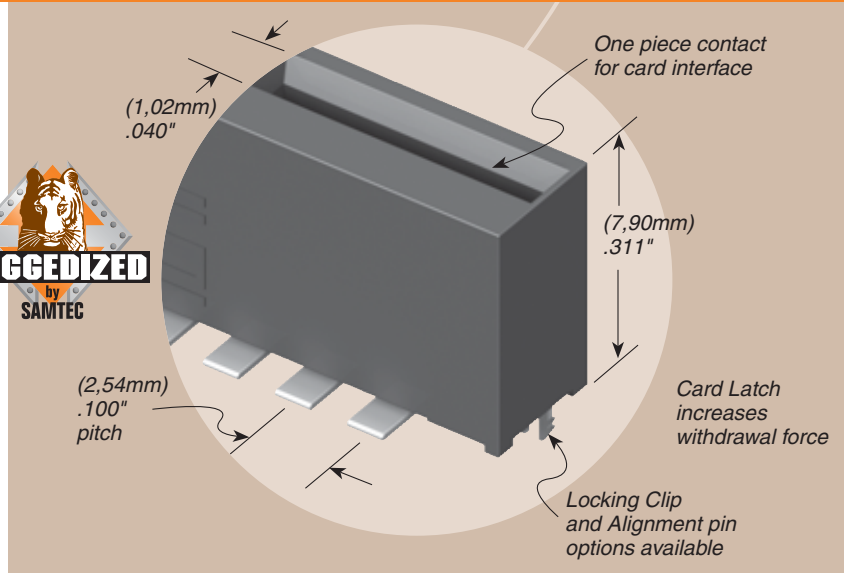
RoHS Compliant:
Yes

Processing:

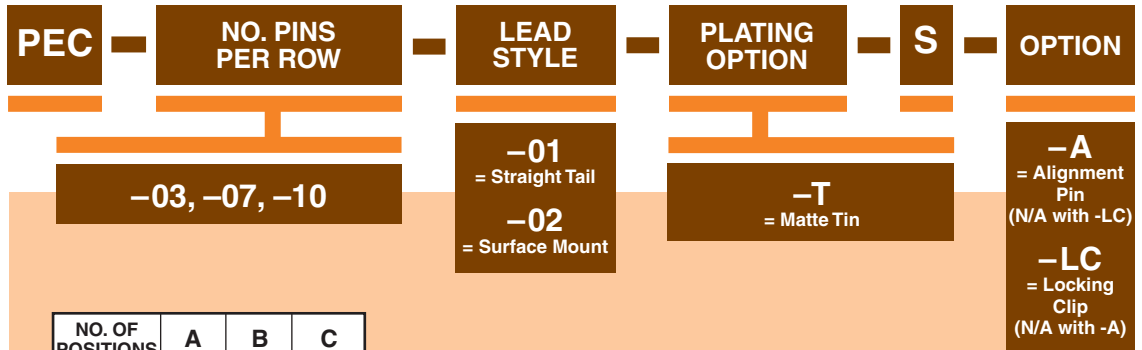
Max Processing Temp:
230°C for 60 seconds, or
260°C for 20 seconds 3x

Lead-Free Solderable:
Yes

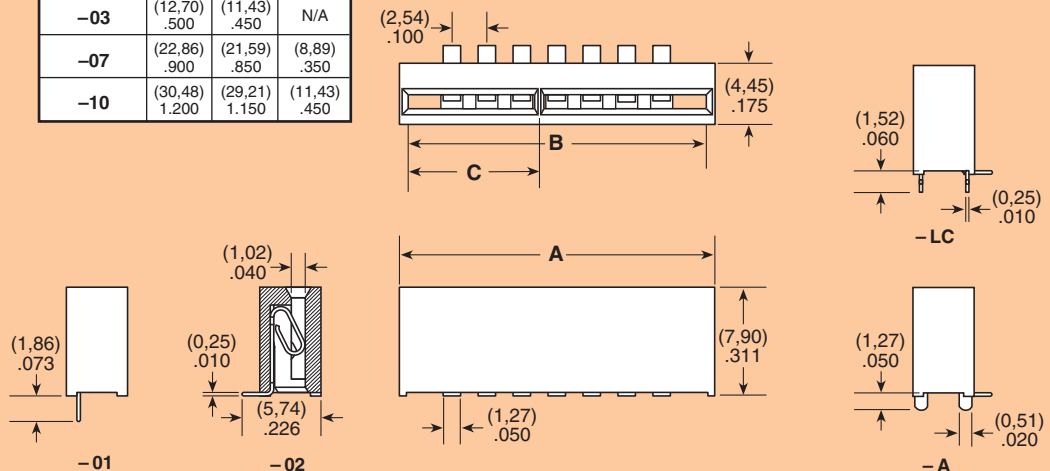
SMT Lead Coplanarity:
(0,10mm) .004" max



CURRENT RATING	
AMBIENT TEMP	PEC
20°C	9.8A
40°C	8.5A
60°C	7A
75°C	5.8A
4 POSITIONS POWERED	



NO. OF POSITIONS	A	B	C
-03	(12,70) .500	(11,43) .450	N/A
-07	(22,86) .900	(21,59) .850	(8,89) .350
-10	(30,48) 1.200	(29,21) 1.150	(11,43) .450



Note: Some sizes, styles and options are non-standard, non-returnable.

Due to technical progress, all designs, specifications and components are subject to change without notice.

WWW.SAMTEC.COM

SAMTEC USA • Tel: 1-800-SAMTEC-9 or 812-944-6733 SAMTEC SILICON VALLEY • Tel: 408-395-5900 SAMTEC SOUTHERN CALIFORNIA • Tel: 1-800-726-8329 SAMTEC UK • Tel: 44 01236 739292
 SAMTEC GERMANY • Tel: +49 (0) 89 / 89460-0 SAMTEC FRANCE • Tel: 33 01 60 95 06 60 SAMTEC ITALY • Tel: 39 039 6890337 SAMTEC NORDIC/BALTIC • Tel: +46-84477280 SAMTEC BENELUX • Tel: 44 01236 739292
 SAMTEC ISRAEL • Tel: 972-3-7526600 SAMTEC INDIA • Tel: +91-80-3272 1612 SAMTEC ASIA PACIFIC • Tel: 65 6745-5955 SAMTEC JAPAN • Tel: 045-475-1385 SAMTEC CHINA • Tel: 86-21-61103786
 SAMTEC TAIWAN • Tel: 886-2-2735-6109 SAMTEC HONG KONG • Tel: 852-26904858 SAMTEC KOREA • Tel: 82-31-717-5685 SAMTEC SOUTH AFRICA • Tel: 27 11 452 8112 SAMTEC ANZ • Tel: 613 9512 7747