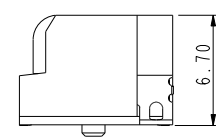
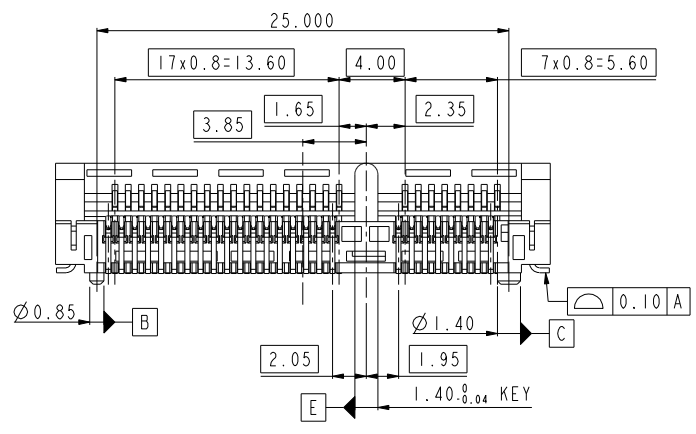
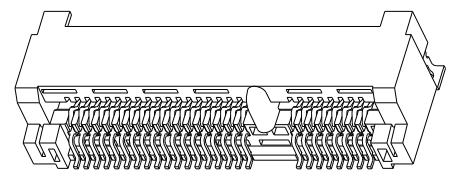
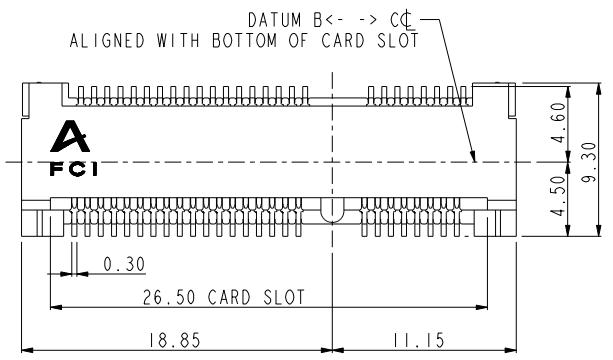




Copyright FCI.



tolerance unless otherwise specified	
linear	.X±0.30
	.XX±0.25
	.XXX±0.15
angles	0°±2°

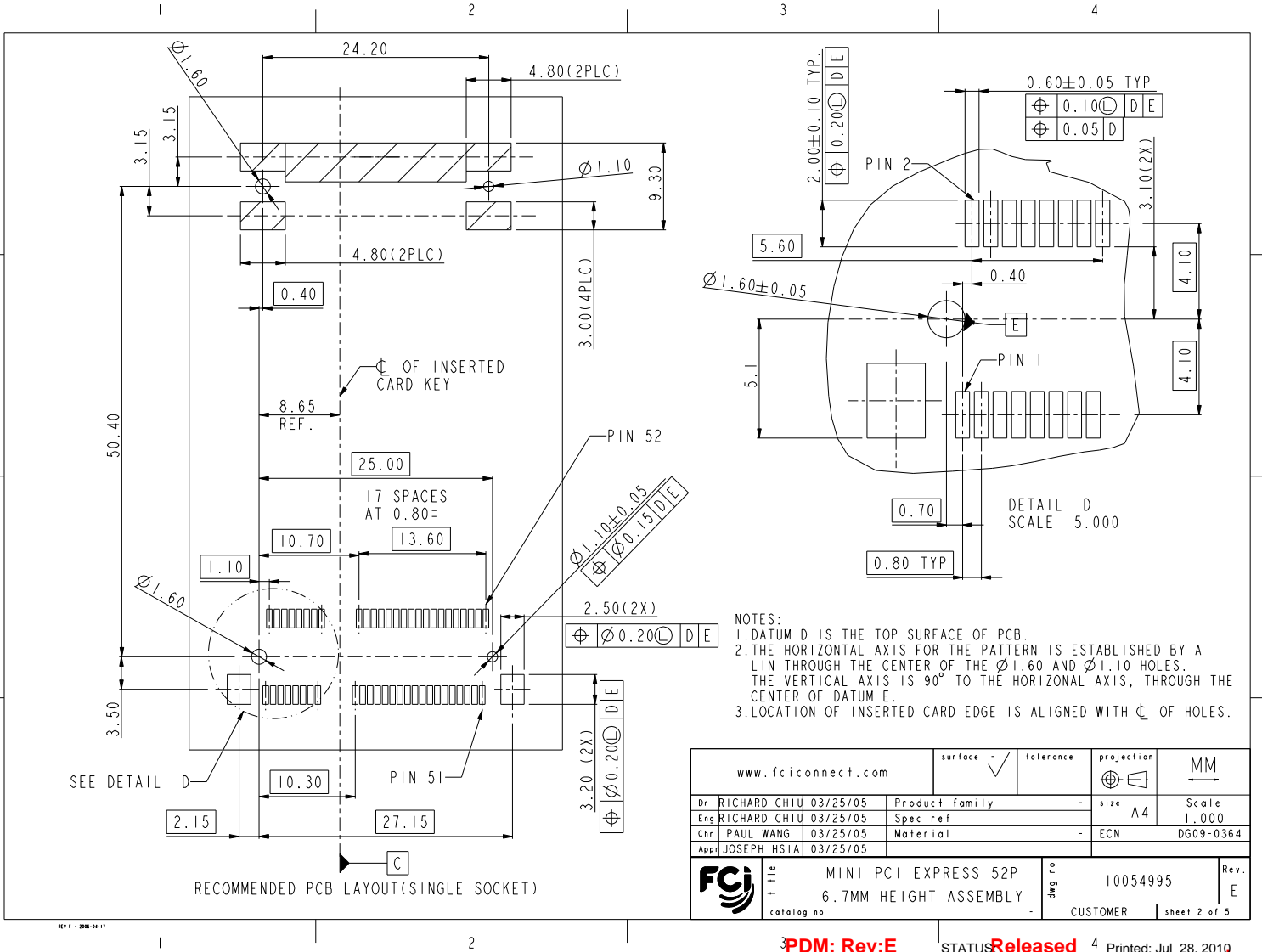
rev	ecn no	dr	date
A	T05-0182	RC	08/15/05
B	T06-0024	RC	02/07/06
C	DG06-0204	PM	05/29/06
D	DG06-0215	PM	06/02/06
E	DG09-0364	BL	11/20/09

www.fciconnect.com		tolerance	projection	MM
Dr RICHARD CHIU 03/25/05		Product family	size	Scale
Eng RICHARD CHIU 03/25/05		Spec ref	A4	1:000
Chr PAUL WANG 03/25/05		Material	ECN	DG09-0364
Appr JOSEPH HSIA 03/25/05				
FCI		title	dlg no	Rev.
		MINI PCI EXPRESS 52P	10054995	E
		6.7MM HEIGHT ASSEMBLY		
catalog no		* customer	sheet 1 of 5	

REV 1 - 2004-04-17



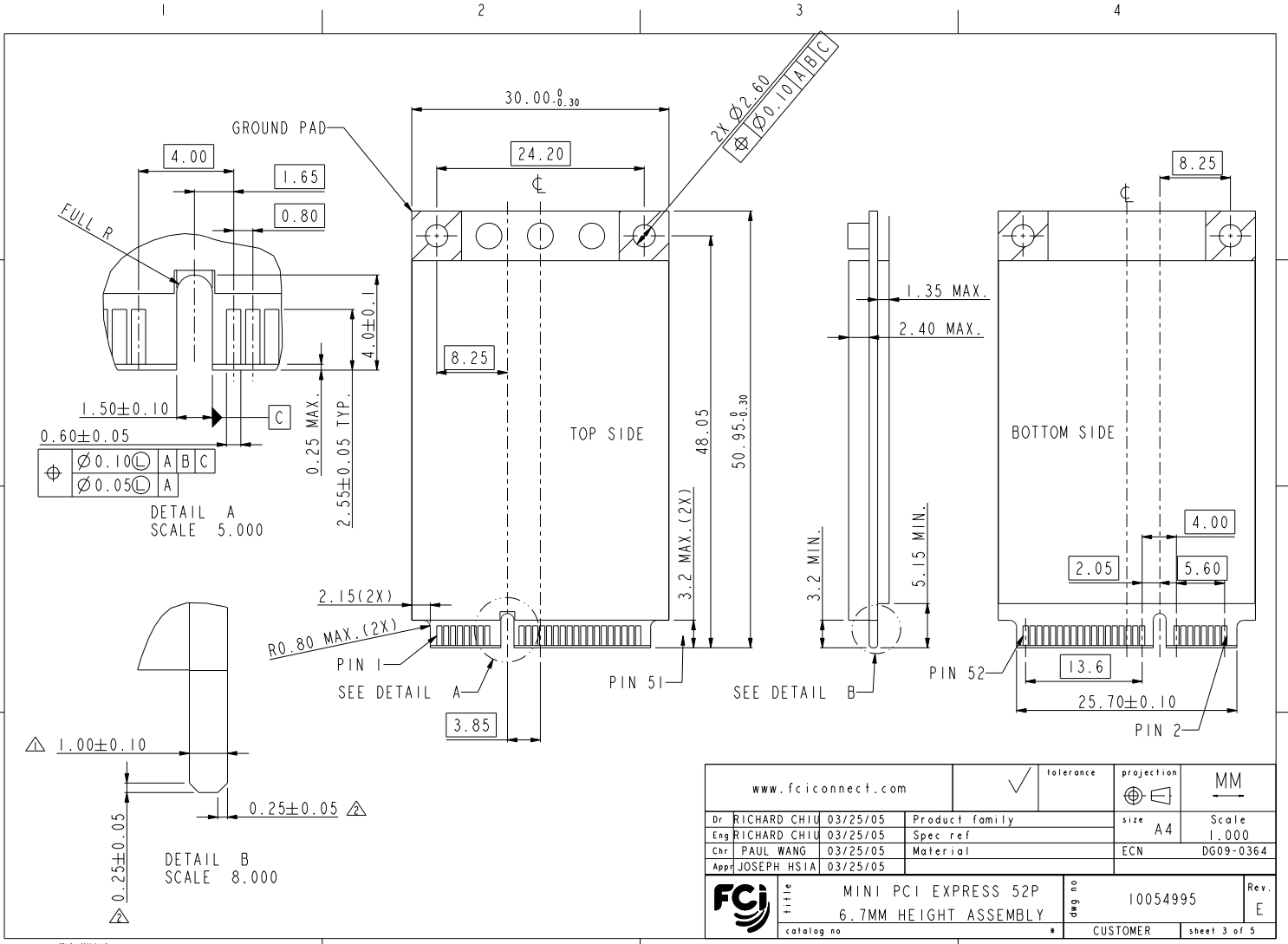
Copyright FCI.



www.fciconnect.com		surface <input checked="" type="checkbox"/>	tolerance	projection	MM
Dr RICHARD CHIU 03/25/05	Product family	-	size	A4	Scale 1.000
Eng RICHARD CHIU 03/25/05	Spec ref	-	ECN	DG09-0364	
Chr PAUL WANG 03/25/05	Material	-			
Appr JOSEPH HSIA 03/25/05					
	TITLE	MINI PCI EXPRESS 52P 6.7MM HEIGHT ASSEMBLY	eng no	10054995	Rev. E
catalog no	CUSTOMER		sheet 2 of 5		



Copyright FCI.

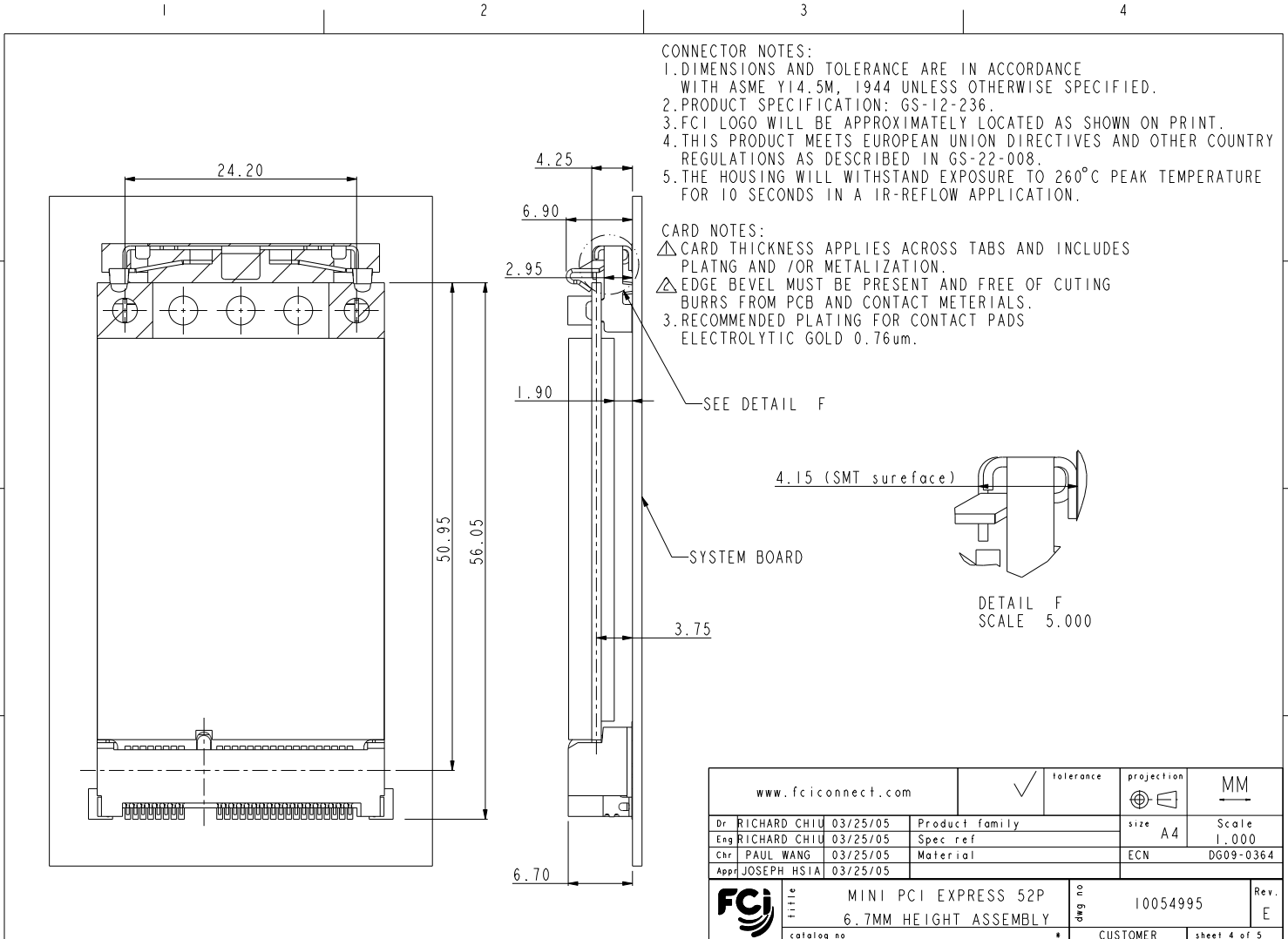


www.fciconnect.com		tolerance	projection	MM
Dr RICHARD CHIU 03/25/05	Product family	size	A4	Scale 1.000
Eng RICHARD CHIU 03/25/05	Spec ref	ECN	DG09-0364	
Chr PAUL WANG 03/25/05	Material			
Appr JOSEPH HSIA 03/25/05				
	TITLE	MINI PCI EXPRESS 52P 6.7MM HEIGHT ASSEMBLY	dwg no	10054995
	catalog no	CUSTOMER	sheet 3 of 5	Rev. E

PDM: Rev:E STATUS Released 4 Printed: Jul 28, 2010

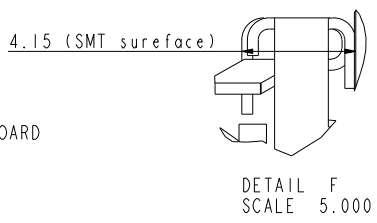


Copyright FCI.



CONNECTOR NOTES:  
 1. DIMENSIONS AND TOLERANCE ARE IN ACCORDANCE WITH ASME Y14.5M, 1944 UNLESS OTHERWISE SPECIFIED.  
 2. PRODUCT SPECIFICATION: GS-12-236.  
 3. FCI LOGO WILL BE APPROXIMATELY LOCATED AS SHOWN ON PRINT.  
 4. THIS PRODUCT MEETS EUROPEAN UNION DIRECTIVES AND OTHER COUNTRY REGULATIONS AS DESCRIBED IN GS-22-008.  
 5. THE HOUSING WILL WITHSTAND EXPOSURE TO 260°C PEAK TEMPERATURE FOR 10 SECONDS IN A IR-REFLOW APPLICATION.

CARD NOTES:  
 △ CARD THICKNESS APPLIES ACROSS TABS AND INCLUDES PLATING AND /OR METALIZATION.  
 △ EDGE BEVEL MUST BE PRESENT AND FREE OF CUTTING BURRS FROM PCB AND CONTACT METATERIALS.  
 3. RECOMMENDED PLATING FOR CONTACT PADS ELECTROLYTIC GOLD 0.76um.



www.fciconnect.com		tolerance	projection	MM
Dr RICHARD CHIU 03/25/05	Product family	size	A4	Scale
Eng RICHARD CHIU 03/25/05	Spec ref	ECN	DG09-0364	1.000
Chr PAUL WANG 03/25/05	Material			
Appr JOSEPH HSIA 03/25/05				
<b>FCI</b>	MINI PCI EXPRESS 52P 6.7MM HEIGHT ASSEMBLY	Qty no	10054995	Rev. E
catalog no		CUSTOMER	sheet 4 of 5	

NOTES:

1. MATERIAL:  
HOUSING: THERMOPLASTIC, HIGH TEMP,  
UL 94V-0, COLOR BLACK.  
CONTACTS: PHOSPHOR BRONZE.  
HOLD DOWN: BRASS.
2. PLATING:  
CONTACT: Ni UNDER PLATING. OTHERS SEE TABLE.  
HOLD DOWN: Ni UNDER PLATING. OTHERS SEE TABLE.
3. "LF" CODES ARE FOR LEAD FREE OPTIONS. SEE TABLE.
4. PRODUCT SPEC: GS-12-236.

10054995-□ □ □ □ (LF)

"LF" CODE ONLY EXISTS WHEN  
2ND AND 4TH CODES ARE "0" OR "2".  
SEE TABLE.

SOLDER TAIL PLATING  
0: Pure Sn (Matte Tin).  
1: Sn-Pb (Bright).

CONTACT PLATING  
1: Gold flash.  
2: Au 15 u" MIN.  
3: Au 30 u" MIN.

HOLD DOWN PLATING  
0: Pure Sn (Bright Tin).  
1: Sn-Pb (Bright).  
2: Pure Sn (Matte Tin)

(RESERVED CODE)  
0

PRODUCT NO.	HOLD DOWN PLATING	TERMINAL CONTACT POINT FINISH	SOLDER TAIL PLATING
10054995-0010LF	PURE Sn (Bright Tin)	Gold flash (0.038 um) MIN.	PURE Sn (Matte Tin) PLATING
10054995-0210LF	PURE Sn (Matte Tin)		
10054995-0110	Sn-Pb (Bright)		
10054995-0020LF	PURE Sn (Bright Tin)	Au 15 u" (0.38 um) MIN.	
10054995-0220LF	PURE Sn (Matte Tin)		
10054995-0120	Sn-Pb (Bright)		
10054995-0030LF	PURE Sn (Bright Tin)	Au 30 u" (0.76 um) MIN.	
10054995-0230LF	PURE Sn (Matte Tin)		
10054995-0130	Sn-Pb (Bright)		
10054995-0011	PURE Sn (Bright Tin)	Gold flash (0.038 um) MIN.	
10054995-0111	Sn-Pb (Bright)		
10054995-0021	PURE Sn (Bright Tin)	Au 15 u" (0.38 um) MIN.	
10054995-0121	Sn-Pb (Bright)		
10054995-0031	PURE Sn (Bright Tin)	Au 30 u" (0.76 um) MIN.	
10054995-0131	Sn-Pb (Bright)		

www.fciconnect.com			✓	tolerance	projection	MM
Dr	RICHARD CHIU	03/25/05	Product family	size	A4	Scale
Eng	RICHARD CHIU	03/25/05	Spec ref			1.000
Chr	PAUL WANG	03/25/05	Material	ECN	DG09-0364	
Appr	JOSEPH HSIA	03/25/05				
FCI		MINI PCI EXPRESS 52P 6.7MM HEIGHT ASSEMBLY		part no	10054995	
Rev.	E		catalog no	* CUSTOMER	sheet 5 of 5	

REV 1 - 2004-06-17

PDM: Rev:E

STATUS: Released

4 Printed: Jul 28, 2010



Copyright FCI.