

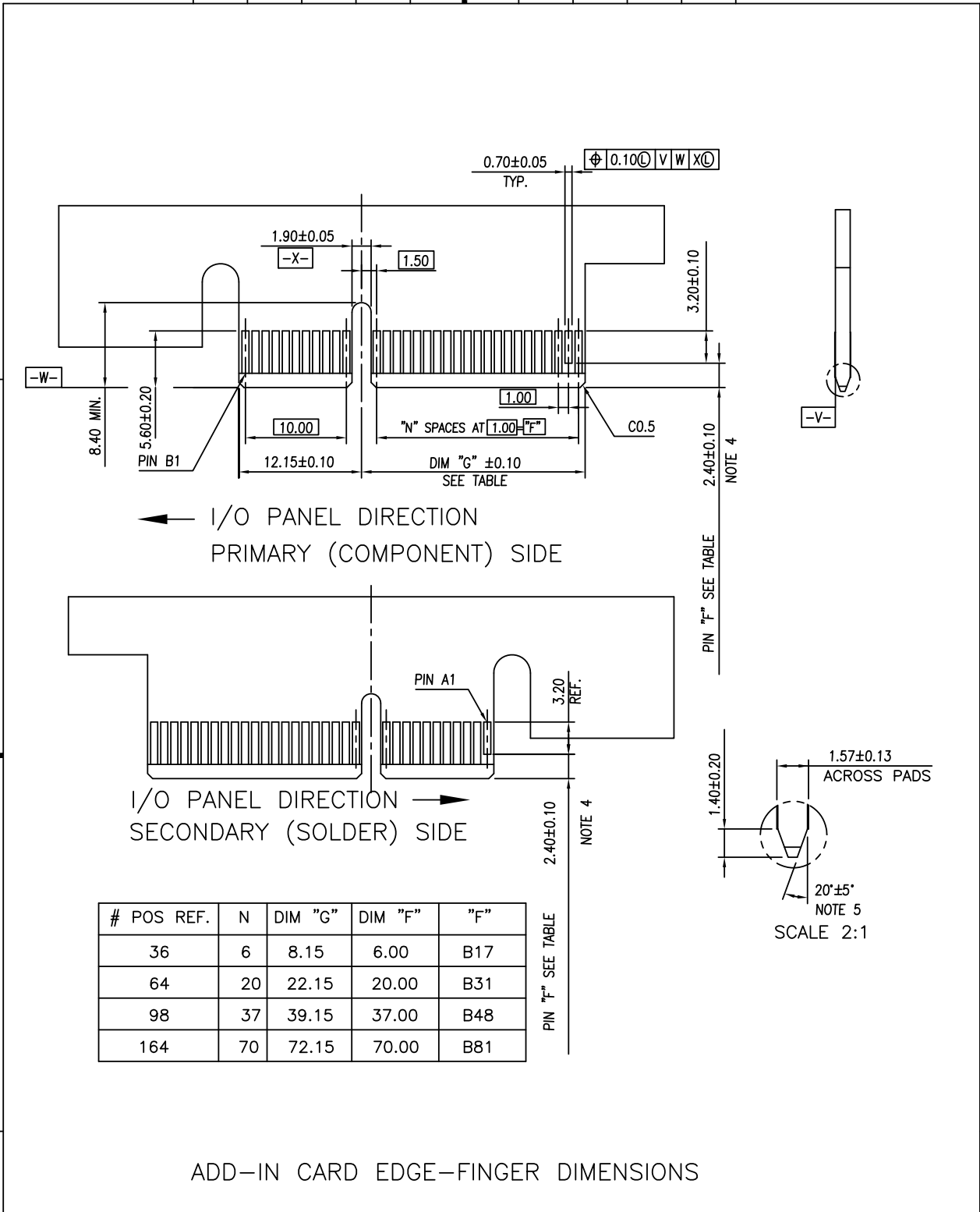
HOLD DOWN TYPE



FCIconnect.com

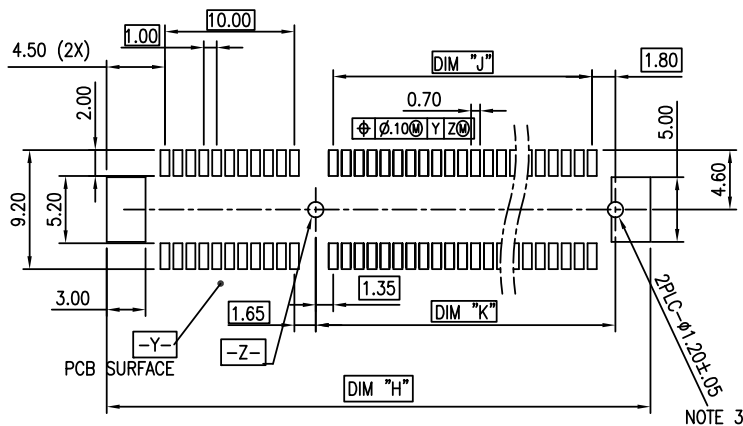
Copyright FCI

| | | | | | | | | | | | | | |
|-------------|-----------|----------------|-----------|---------------------------------------|--------------|-----------|----------|---------|---------|-------------------------------------|----------------|--------------|------|
| mat'l. code | | - | | surface | 58 | tolerance | ISO 1302 | ISO 406 | ISO 101 | projection | product family | PCI_EXPRESS | |
| ltr | ecn no | dr | date | tolerances unless otherwise specified | | | | | | | title | | |
| B | T07-0005 | RC | 02/06/'07 | angles | linear | .X±.3 | | | MM | PCI_EXPRESS_CARD_EDGE ASSEMBLY(SMT) | | | |
| C | T07-1083 | RC | 05/25/'07 | | | | .XX±.20 | | | | | | |
| D | T07-1120 | RC | 07/31/'07 | 0'±2' | | | XXX±.10 | | | scale | 1 | | |
| E | DG08-0111 | RC | 05/08/'08 | dr | MAGGIE_WU | 06'/6/21 | | | FCI | dwg no | | sheet 1 of 6 | size |
| F | T08-1097 | RC | 06/03/'08 | engr | RICHARD_CHIU | 06'/6/21 | | | | 10061913 | | A4 | |
| G | T08-1188 | JH | 10/23/08 | chr | PAUL_WANG | 06'/6/21 | | | | | | | |
| H | T10-0007 | JH | 1/30/10 | appc | JOSEPH_HSIA | 06'/6/21 | | | | | | | |
| sheet index | | revision sheet | H | H | H | H | H | H | | | | | |
| | | | 1 | 2 | 3 | 4 | 5 | 6 | | | | | |



ADD-IN CARD EDGE-FINGER DIMENSIONS

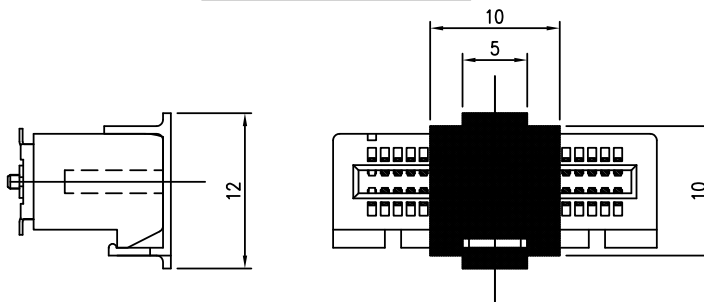
| | | | | | | | | | | | |
|-------------|----------------|----|------|---------------------------------------|--------------|-----------------|--|------------|------|-------------------------------------|------------------|
| mat'l. code | | | | surface 58 | | tolerance | | projection | | product family | |
| - | | | | ISO 1302 | | ISO 406 ISO 101 | | | | PCI_EXPRESS | |
| ltr | ecn no | dr | date | tolerances unless otherwise specified | | | | title | | | |
| H | - | - | - | angles | | .X±.2 | | MM | | PCI_EXPRESS_CARD_EDGE ASSEMBLY(SMT) | |
| | | | | linear | | .XX±.13 | | scale 2 | | dwg no sheet 2 of 6 size | |
| | | | | 0°±2° | | XXX±.05 | | | | 10061913 A4 | |
| | | | | dr | MAGGIE_WU | 06'/6/21 | | | type | | CUSTOMER Drawing |
| | | | | engr | RICHARD_CHIU | 06'/6/21 | | | | | |
| | | | | chr | PAUL_WANG | 06'/6/21 | | | | | |
| | | | | app | JOSEPH_HZIA | 06'/6/21 | | | | | |
| sheet index | revision sheet | | | | | | | | | | |



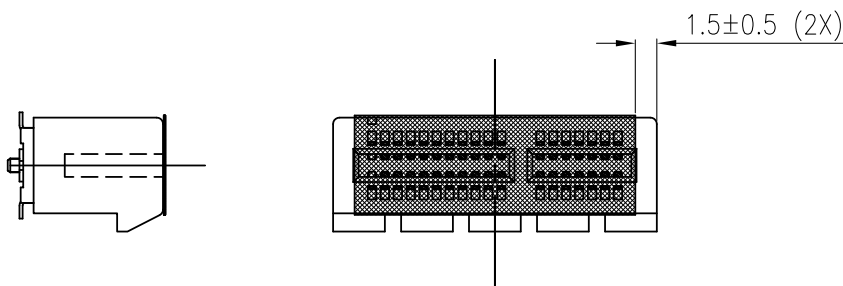
RECOMMENDED PCB LAYOUT, PAD TYPE

| DIMENSIONS | | | | | | | | |
|------------|-------|-------------------------|--------------|--------------|--------------|--------------|-------|--------------|
| POSITION | A | B ± 0.15 -0.05 | C ± 0.20 | D ± 0.23 | E ± 0.20 | H ± 0.10 | J | K ± 0.10 |
| 36 | 6.00 | 7.65 | 9.15 | 25.00 | 27.00 | 28.00 | 6.00 | 9.15 |
| 64 | 20.00 | 21.65 | 23.15 | 39.00 | 41.00 | 42.00 | 20.00 | 23.15 |
| 98 | 37.00 | 38.65 | 40.15 | 56.00 | 58.00 | 59.00 | 37.00 | 40.15 |
| 164 | 70.00 | 71.65 | 73.15 | 89.00 | 91.00 | 92.00 | 70.00 | 73.15 |

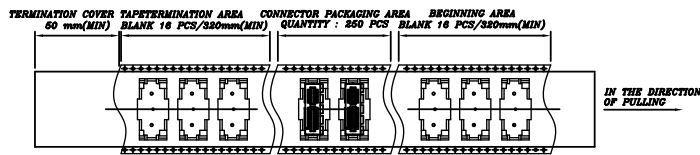
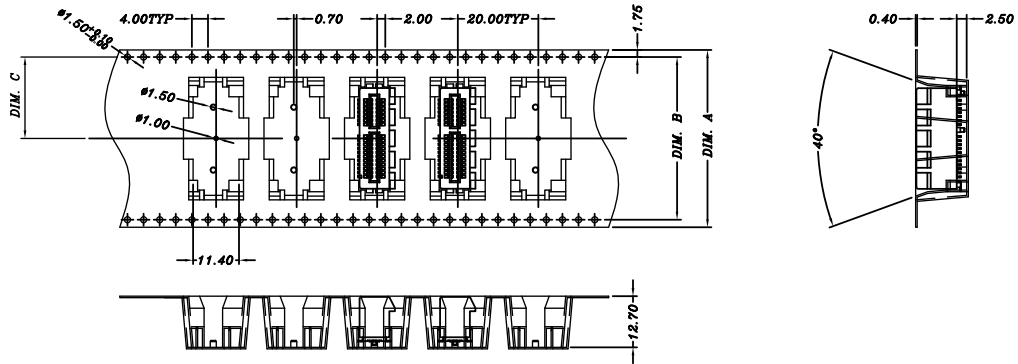
POSTION OF CAP



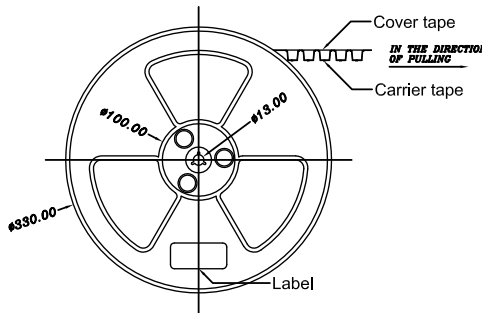
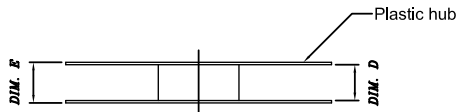
POSTION OF MYLAR



| | | | | | | | | | | | |
|-------------|--------|----------------|------|---------------------------------------|--------------|---------------------------|--|-------------------------------------|----------|--------------------------|------------------|
| mat'l. code | | | | surface 58 ✓ | | tolerance ISO 406 ISO 101 | | projection | | product family | |
| - | | | | ISO 1302 | | ISO 101 | | MM | | PCI_EXPRESS | |
| ltr | ecn no | dr | date | tolerances unless otherwise specified | | | | title | | | |
| H | - | - | - | angles | | .X±.2 | | PCI_EXPRESS_CARD_EDGE ASSEMBLY(SMT) | | | |
| | | | | linear | | .XX±.13 | | scale 2 | | | |
| | | | | 0'±2' | | XXX±.05 | | FCI | | dwg no sheet 3 of 6 size | |
| | | | | dr | MAGGIE_WU | 06'6/21 | | | 10061913 | | A4 |
| | | | | engr | RICHARD_CHIU | 06'6/21 | | | type | | CUSTOMER Drawing |
| | | | | chr | PAUL_WANG | 06'6/21 | | | | | |
| | | | | app | JOSEPH_HSIA | 06'6/21 | | | | | |
| sheet index | | revision sheet | | | | | | | | | |



COMPOSITION OF PACKAGING



TAPE AND REEL PACKING PRESENTED WITH 36PINS

| DIMENSIONS | | | | |
|------------|-------|-------|-------|---------------|
| POSITIONS | A | B | C | D REF. E REF. |
| 36 | 44.00 | 40.40 | 20.20 | 44.5 50.5 |
| 64 | 56.00 | 52.60 | 26.30 | 56.4 60.4 |

| | | | | | | | | | | | | | |
|-------------|--------|----------------|------|---------------------------------------|--------------|-----------------|--|------------|----------|-------------------------------------|----|------------------|------|
| mat'l. code | | | | surface 58 | | tolerance | | projection | | product family | | | |
| - | | | | ISO 1302 | | ISO 406 ISO 101 | | | | PCI_EXPRESS | | | |
| ltr | ecn no | dr | date | tolerances unless otherwise specified | | .X±.3 | | MM | | title | | | |
| H | - | - | - | angles | | .XX±.20 | | | | PCI_EXPRESS_CARD_EDGE ASSEMBLY(SMT) | | | |
| | | | | 0°±2° | | XXX±.10 | | scale 1 | | dwg no | | sheet 5 of 6 | size |
| | | | | dr | MAGGIE_WU | 06'/6/21 | | | 10061913 | | A4 | | |
| | | | | engr | RICHARD_CHIU | 06'/6/21 | | | | | | | |
| | | | | chr | PAUL_WANG | 06'/6/21 | | | | | | | |
| | | | | app | JOSEPH_HZIA | 06'/6/21 | | | | | | | |
| sheet index | | revision sheet | | | | | | | | type | | CUSTOMER Drawing | |



FCIconnect.com

Copyright FCI

