

# 0,80mm HI-SPEED SOCKET HSEC8 SERIES

## SPECIFICATIONS

For complete specifications see [www.samtec.com?HSEC8](http://www.samtec.com?HSEC8)

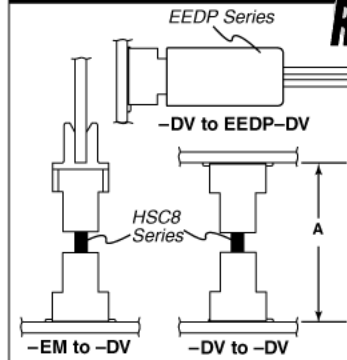
**Insulator Material:** Black Liquid Crystal Polymer  
**Contact:** BeCu  
**Plating:** Au or Sn over 50µ" (1,27µm) Ni  
**Current Rating:** 3.1A @ 30°C Temperature Rise  
**Operating Temp:** -55°C to +125°C  
**Card Insertion Depth:** (3,15mm) .125" nominal

Mates with:  
 1,6mm thick cards,  
 HSC8, EEDP

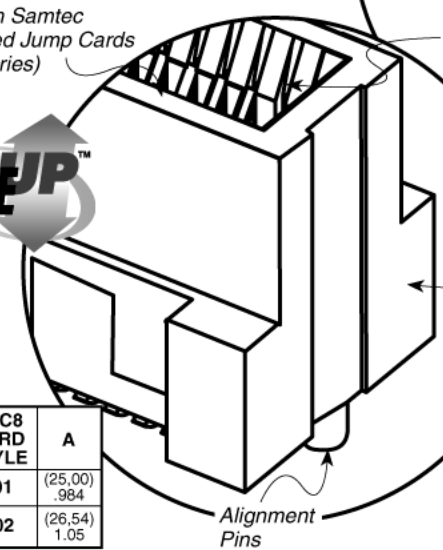
Mates with Samtec  
 High Speed Jump Cards  
 (HSC8 Series)

Mates with  
 (1,60mm) .062" cards

## APPLICATIONS



HSEC8 CARD STYLE	A
-01	(25,00) .984
-02	(26,54) 1.05



## ALSO AVAILABLE

Polarized mates for EEDP Series twin-ax Cables

CONNECTOR	CABLE
HSEC8-113	EEDP-08
HSEC8-125	EEDP-16
HSEC8-137	EEDP-24
HSEC8-149	EEDP-32

**Note:** Some lengths, styles and options are non-standard, non-returnable.

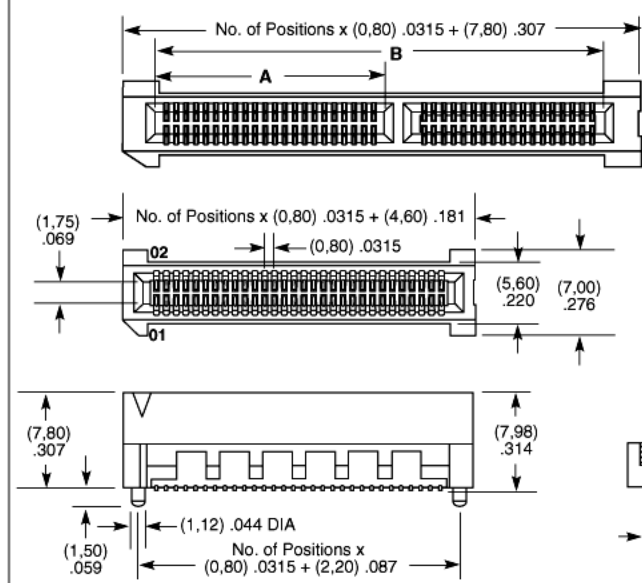
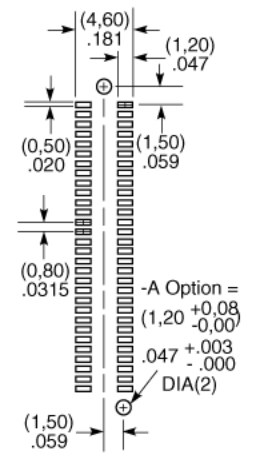


**10, 20, 30, 40, 50, 60**      **-01 = (1,60mm) .062" thick card**      **-S or -SM = 30µ" (0,76µm) Gold on contact, Tin (-S) or Matte Tin (-SM) on tail**      **-A = Alignment Pin**

**-K = (5,50mm) .217" DIA Polyimide Film Pick & Place Pad**      **-TR = Tape & Reel Packaging**

## Processing:

**Max Processing Temp:** 230°C for 60 seconds, or 260°C for 20 seconds 3x with Matte Sn plating  
**Lead-Free Solderable:** Yes, with Matte Sn  
**SMT Lead Coplanarity:** (0,10mm) .004" max (10-60)  
**Suggested PCB Layouts:** For reference only. Please contact Samtec or go to [www.samtec.com?HSEC8](http://www.samtec.com?HSEC8) for recommended PCB layout.



NO. OF POSITIONS	A	B
40	(18,90) .744	(36,60) 1.441
50	(22,90) .902	(44,60) 1.756
60	(26,90) 1.059	(52,60) 2.071

Due to technical progress, all designs, specifications and components are subject to change without notice.

[WWW.SAMTEC.COM](http://WWW.SAMTEC.COM)

SAMTEC USA • Tel: 1-800-SAMTEC-9 or 812-944-6733 • Fax: 812-948-5047 SAMTEC UK • Tel: 01236 739292 • Fax: 01236 727113 SAMTEC GERMANY • Tel: +49 (0) 89 / 89460-0 • Fax: +49 (0) 89 / 89460-299  
 SAMTEC FRANCE • Tel: 01 60 95 06 60 • Fax: 01 60 95 06 61 SAMTEC ITALY • Tel: 39 039 6890337 • Fax: 39 039 6890315 SAMTEC ISRAEL • Tel: 972-3-7526600 • Fax: 972-3-7526690  
 SAMTEC SCANDINAVIA • Tel: +46-84477280 • Fax: +46-87420413 SAMTEC ASIA PACIFIC • Tel: 65 6745-5955 • Fax: 65 6841-1502 SAMTEC JAPAN • Tel: 81-424-42-8318 • Fax: 81-424-42-8319  
 SAMTEC CHINA • Tel: 86-21-5385-4089 • Fax: 86-21-5385-4047 SAMTEC TAIWAN • Tel: 886 02 2698-3367 • Fax: 886 02 8698-2159 SAMTEC KOREA • Tel: 823-17175685 • Fax: 823-17175684