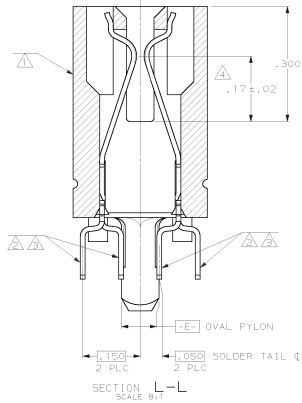
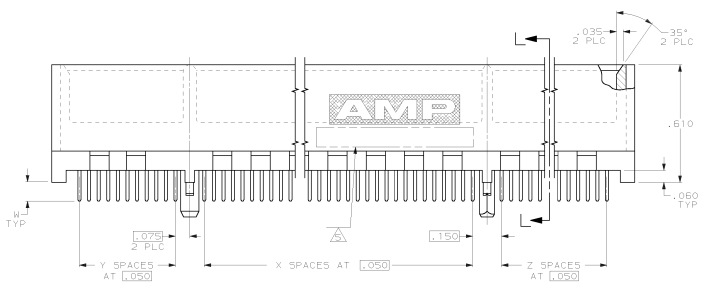
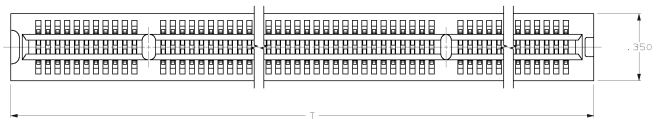
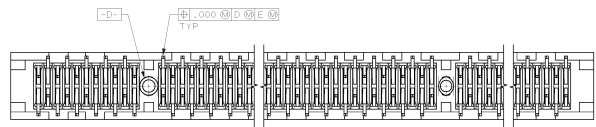


DRAWING MADE IN THROU-ANGLE PRODUCTION
 THIS DRAWING IS UNPUBLISHED. RELEASED FOR PUBLICATION
 © COPYRIGHT 19 BY AMP INCORPORATED. ALL INTERNATIONAL RIGHTS RESERVED.

REV	ISS	DATE	ZONE	LTN	DESCRIPTION	DATE	APP
AD	14		P		REVISED PER EC 0051-0008-9B	198109	JG



- △ HOUSING, HIGH TEMPERATURE THERMOPLASTIC. COLOR, BROWN.
- △ CONTACT, PHOSPHOR BRONZE.
- △ CONTACT FINISH, .000100 MIN NICKEL ALL OVER, .000030 MIN GOLD OVER NICKEL IN CONTACT AREA, .000100 MIN TIN-LEAD OVER NICKEL ON SOLDER TAILS.
- △ DISTANCE FROM CONTACT POINT TO BOTTOM OF CARD SLOT.
- △ AMP PART NUMBER, DATE CODE AND CSA LOGO MARKED IN APPROXIMATE AREA SHOWN.



SEE SHEET 2 FOR HOLE PATTERNS

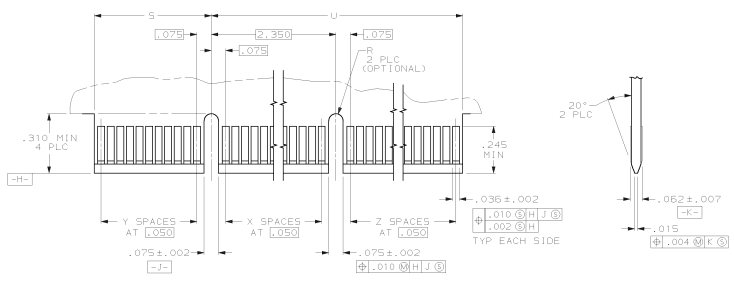
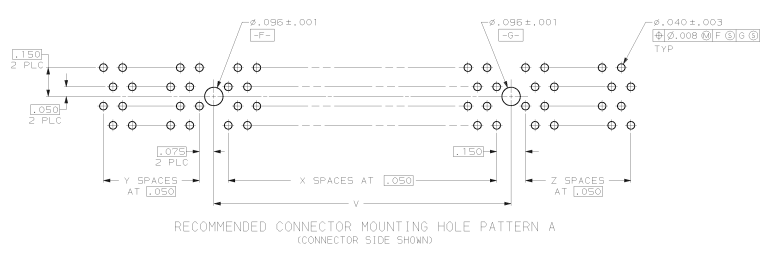
REV	ISS	DATE	ZONE	LTN	DESCRIPTION	DATE	APP			
A	2,350	3,110	3,94	.610	13	10	44	.14	70	1-650231-G
B	2,100	3,560	5,51	2,150	32	41	33	.10	110	650231-G
A	2,350	5,610	6,44	.610	63	10	44	.10	120	650231-B
C	2,350	4,060	6,44	2,160	32	41	44	.10	120	650231-F
A	2,350	3,110	3,94	.610	13	10	44	.10	70	650231-E
B	2,350	4,060	6,44	2,160	32	41	44	.10	120	650231-A
A	2,350	4,060	6,44	2,160	32	41	44	.10	120	650231-D
A	2,350	5,610	6,44	.610	63	10	44	.10	120	650231-C
A	2,350	5,610	6,44	.610	63	10	44	.14	120	650231-I

DO NOT SCALE PRINT, UNLESS SPECIFIED DIMENSIONS IN MM (INCHES)	DR 3/23/81 K-1110588/014	AMP Incorporated Harrisburg, PA 17105-9608
HOUSING: △ CONTACT: △	APPD 7-23-91 M. THORNTON PRODUCT SPEC 108-14034	CONNECTOR ASSEMBLY, DUAL POSITION, .050 SERIES, STANDARD EDGE
FINISH CONTACT: △	APPLICATION SPEC 114-26012	SIZE D LAGE CODE 00779 DRAWING NO 650231 SCALE 4:1 SHEET 1 OF 2

CUSTOMER DRAWING

DRAWING MADE IN TRISID ANGLE PROJECTION
 THIS DRAWING IS UNPUBLISHED. RELEASED FOR PUBLICATION
 © COPYRIGHT 19 BY AMP INCORPORATED. ALL INTERNATIONAL RIGHTS RESERVED.

REV. NO.		DATE		DESCRIPTION		DATE	APP.
AD	14			P	SEE SHEET 1	-	-



DO NOT SCALE PRINT. UNLESS SPECIFIED DIMENSIONS IN mm (INCHES) POLYIMIDES .001 2 PLC DEC = .01 INCHES = .25	DR 3/23/81 K-1140588/014 CHR 7-23-81 M. BURNS APFD 7-23-81 R. THAMMA PRODUCT SPEC 108-14034	AMP Incorporated Harrisburg, PA 17105-3608
MATERIAL HOUSING: CONTACT:	APPLICATOR SPEC 114-25012	NAME CONNECTOR ASSEMBLY, .050 SERIES, STANDARD EDGE
FINISH CONTACT:	RETURN	SIZE D 00779 SCALE 4:1
		BRWING NO 650231 SHEET 2 OF 2

CUSTOMER DRAWING