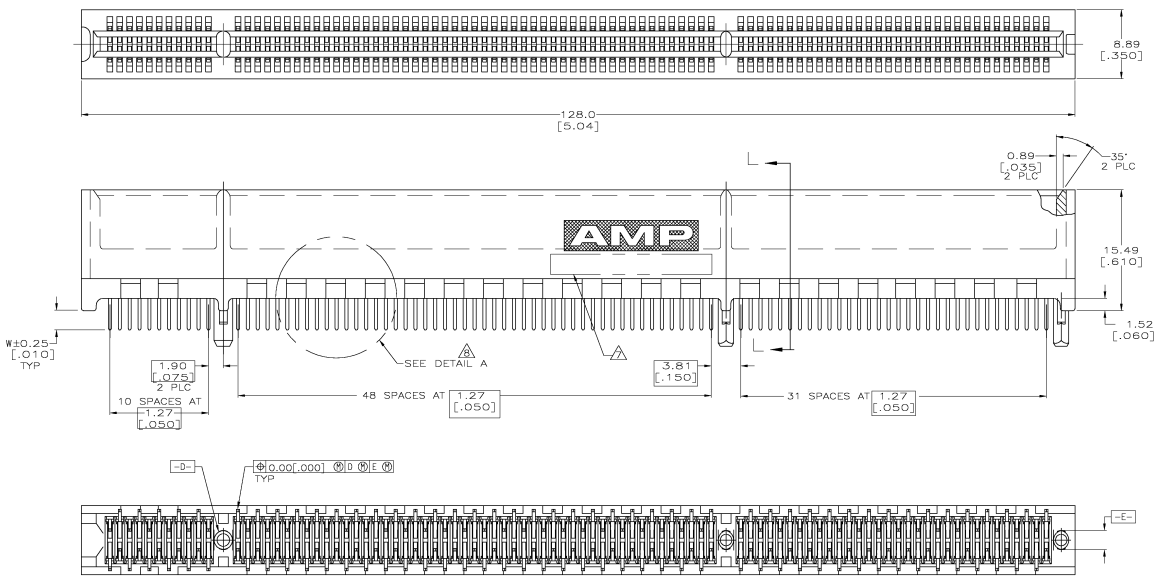
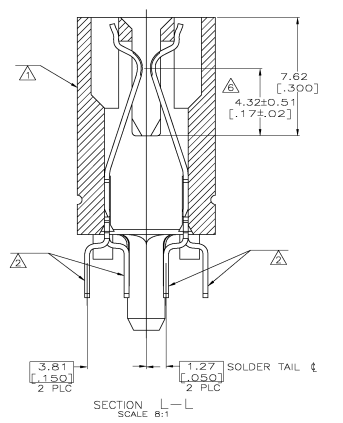


THIS DRAWING IS UNCLASSIFIED  
 UNLESS INDICATED OTHERWISE  
 ALL RIGHTS RESERVED

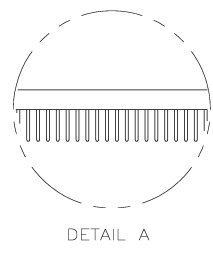
REV	DATE	DESCRIPTION	BY	CHK	APP
00					
1		REVISED PER 8515-0080-05	DR	WAF	AWF



SEE SHEET 2 FOR NOTES



SEE SHEET 2 FOR HOLE PATTERN



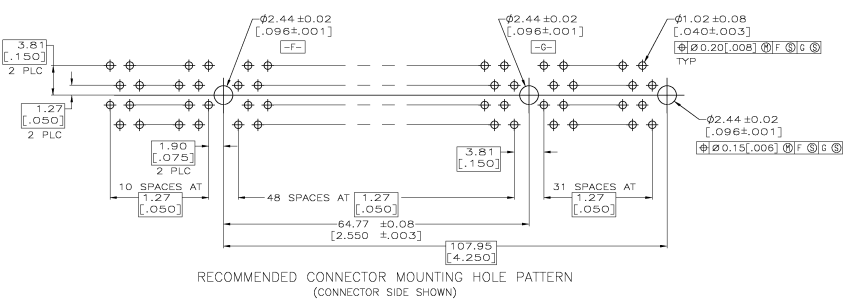
3.56 [1.40]	△	1-5145165-2
3.17 [1.25]	△	5145165-8
2.54 [1.00]	△	5145165-4
2.54 [1.00]	△	5145165-2
2.54 [1.00]	△	5145165-1

OBSOLETE

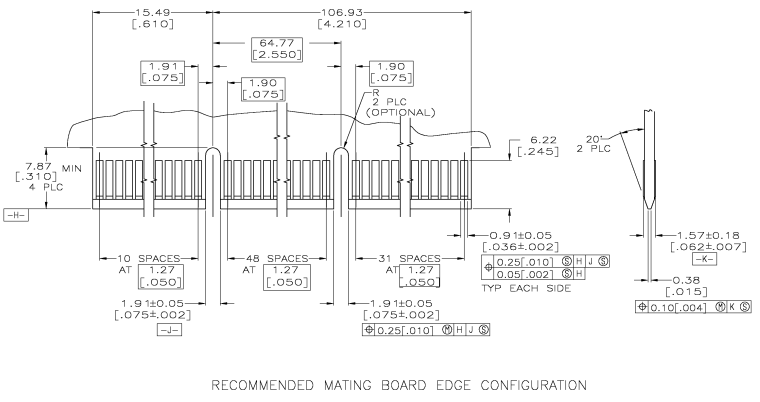
THIS DRAWING IS A CONTROLLED DOCUMENT.		DATE: 04 FEB 88	REV: 04 FEB 88	By: [Signature]	Checked: [Signature]
UNITS: mm	SYMBOLS: UNLESS OTHERWISE SPECIFIED	PROJECT: 10B-14034	WORK ORDER: 114-26012	DATE: 04 FEB 88	DRAWING NO: A100779
SCALE: 1:1	STANDARD EDGE	CONNECTOR ASSEMBLY, 92 DUAL POSITION, 050 SERIES, STANDARD EDGE	REVISIONS: 1	BY: WAF	APP: AWF
MATERIAL: [Symbol]		FINISH: W	PART NUMBER: 5145165-2	RESTRICTED TO: [Symbol]	
PREPARE: [Symbol]		CUSTOMER DRAWING	SCALE: 4:1	FORM: 1 * 2	REV: C

THE DRAWING IS UNAPPROVED	REVISIONS FOR MODIFICATION
DATE	BY

REV	DATE	DESCRIPTION	BY	CHK	APP
00		SEE SHEET 1			



- ⚠ HOUSING: HIGH TEMPERATURE THERMOPLASTIC. COLOR - NATURAL.
- ⚠ CONTACT: PHOSPHOR BRONZE.
- ⚠ CONTACT FINISH: 0.00127[.000050] MIN NICKEL ALL OVER. GOLD FLASH OVER NICKEL IN CONTACT AREA. 0.00254[.000100] MIN MATTE TIN OVER NICKEL ON SOLDER TAILS.
- ⚠ CONTACT FINISH: 0.00127[.000050] MIN NICKEL ALL OVER. 0.00330[.000150] GOLD OVER NICKEL IN CONTACT AREA. 0.00254[.000100] MIN MATTE TIN OVER NICKEL ON SOLDER TAILS.
- ⚠ CONTACT FINISH: 0.00127[.000050] MIN NICKEL ALL OVER. 0.00076[.000030] GOLD OVER NICKEL IN CONTACT AREA. 0.00254[.000100] MIN MATTE TIN OVER NICKEL ON SOLDER TAILS.
- ⚠ DISTANCE FROM CONTACT POINT TO BOTTOM OF CARD SLOT. AMP PART NUMBER, DATE CODE AND CSA LOGO MARKED IN APPROXIMATE LOCATION SHOWN.
- ⚠ CORED OR SOLID SIDE WALLS ARE AT DISCRETION OF AMP INCORPORATED.



THIS DRAWING IS A CONTROLLED DOCUMENT.		REV	DATE	DESCRIPTION	BY	CHK	APP

UNITS	SYMBOLS		
mm			

