

MICRO EDGE-CARD SOCKET MEC8-RA SERIES

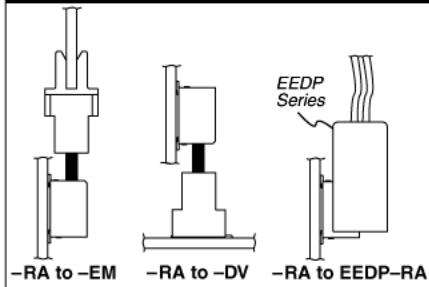
SPECIFICATIONS

For complete specifications see www.samtec.com?MEC8-RA

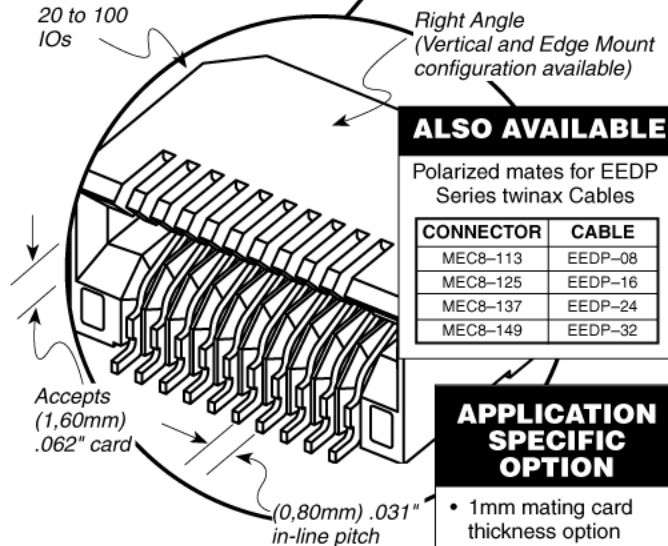
Insulator Material: Black LCP
Contact Material: Phosphor Bronze
Plating: Au or Sn over 50µ" (1.27µm) Ni
Operating Temp Range: -55°C to +125°C
Insertion Depth: (3.94mm) .155" to (6.38mm) .251"
Current Rating: 1.9A @ 80°C ambient
Voltage Rating: 275 VAC

Mates with: (1.60mm) .062" thick cards, EEDP

APPLICATIONS



(Note: -RA to -RA not available due to card polarization)



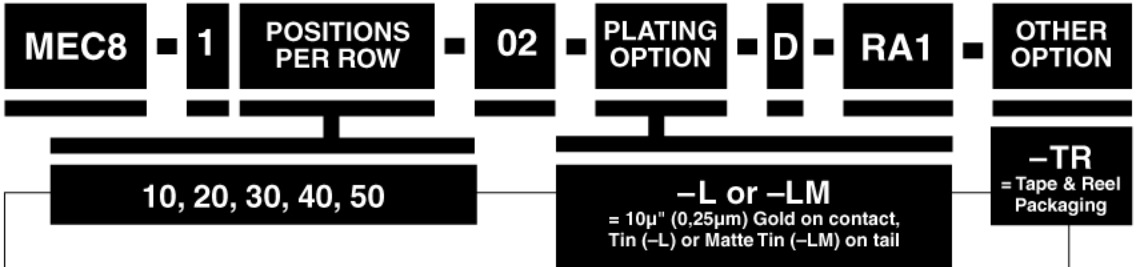
ALSO AVAILABLE

Polarized mates for EEDP Series twinax Cables

CONNECTOR	CABLE
MEC8-113	EEDP-08
MEC8-125	EEDP-16
MEC8-137	EEDP-24
MEC8-149	EEDP-32

APPLICATION SPECIFIC OPTION

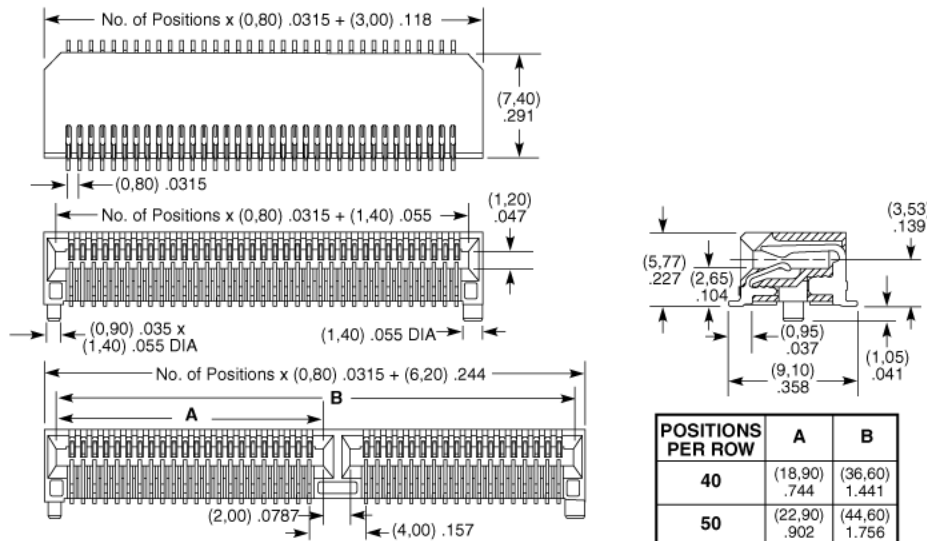
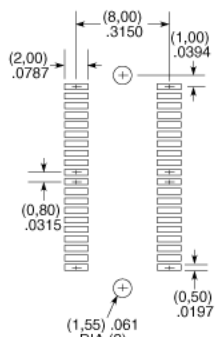
- 1mm mating card thickness option
Call Samtec.



Note: Some sizes, styles and options are non-standard, non-returnable.

Processing:

Max Processing Temp: 230°C for 60 seconds, or 260°C for 20 seconds 3x with Matte Sn plating
Lead-Free Solderable: Yes, with Matte Sn
SMT Lead Coplanarity: (0.10mm) .004" max (10-30) (0.15mm) .006" max (40-50)
Suggested PCB Layouts: For reference only. Please contact Samtec or go to www.samtec.com?MEC8-RA for recommended PCB layout.



POSITIONS PER ROW	A	B
40	(18,90) .744	(36,60) 1.441
50	(22,90) .902	(44,60) 1.756

Due to technical progress, all designs, specifications and components are subject to change without notice.

WWW.SAMTEC.COM

SAMTEC USA • Tel: 1-800-SAMTEC-9 or 812-944-6733 • Fax: 812-948-5047
SAMTEC GERMANY • Tel: +49 (0) 89 / 89460-0 • Fax: +49 (0) 89 / 89460-299
SAMTEC SCANDINAVIA • Tel: +46-84477280 • Fax: +46-87420413
SAMTEC ASIA PACIFIC • Tel: 65 6745-5955 • Fax: 65 6841-1502
SAMTEC HONG KONG • Tel: 852 2990 4888 • Fax: 852 2990 4892
SAMTEC JAPAN • Tel: 81-424-42-8318 • Fax: 81-424-42-8319
SAMTEC KOREA • Tel: 82-31-717-5685 • Fax: 82-31-717-5681
SAMTEC SILICON VALLEY • Tel: 408-395-5900 • Fax: 408-395-1520
SAMTEC FRANCE • Tel: 01 60 95 06 60 • Fax: 01 60 95 06 61
SAMTEC ISRAEL • Tel: 972-3-7526600 • Fax: 972-3-7526690
SAMTEC CHINA • Tel: 86-21-5385-4089 • Fax: 86-21-5385-4047
SAMTEC SOUTH AFRICA • Tel: 27 11 4528112 • Fax: 27 86 6714432
SAMTEC UK • Tel: 01236 739292 • Fax: 01236 727113
SAMTEC ITALY • Tel: 39 039 6890337 • Fax: 39 039 6890315
SAMTEC INDIA • Tel: 91 80 306 21 612 • Fax: 91 80 5152 8187
SAMTEC TAIWAN • Tel: 886 02 2698-3367 • Fax: 886 02 8698-2159
SAMTEC ANZ • Tel: 613 9512 7747 • Fax: 613 9512 7745