



(0,80mm) .0315"

MEC8-DV SERIES



MEC8-110-02-L-DV-A



# MINI EDGE CARD VERTICAL SOCKET

## SPECIFICATIONS

For complete specifications and recommended PCB layouts see [www.samtec.com?MEC8-DV](http://www.samtec.com?MEC8-DV)

**Insulator Material:** Black LCP  
**Contact Material:** Phosphor Bronze  
**Plating:** Au or Sn over 50µ" (1,27µm) Ni  
**Operating Temp Range:** -55°C to +125°C  
**Insertion Depth:** (4,22mm) .166" to (5,66mm) .223"  
**Current Rating:** 1.8A @ 30°C Temperature Rise  
**Voltage Rating:** 265 VAC  
**RoHS Compliant:** Yes



## Processing:

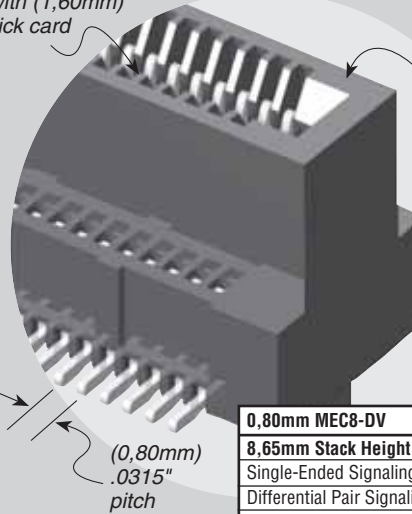
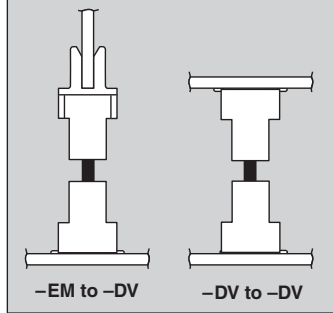
**Lead-Free Solderable:** Yes  
**SMT Lead Coplanarity:** (0,10mm) .004" max (10-50) (0,15mm) .006" max (60-70)

Mates with: (1,60mm) .062" thick cards

Mates with (1,60mm) .062" thick card

Variety of lead counts

## APPLICATIONS

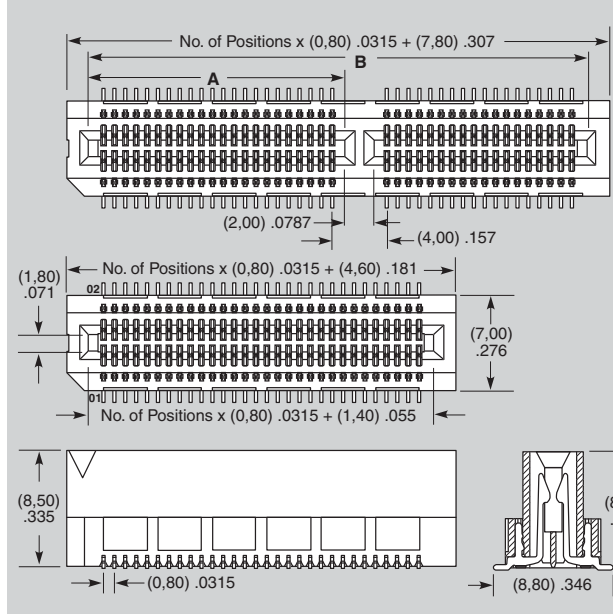
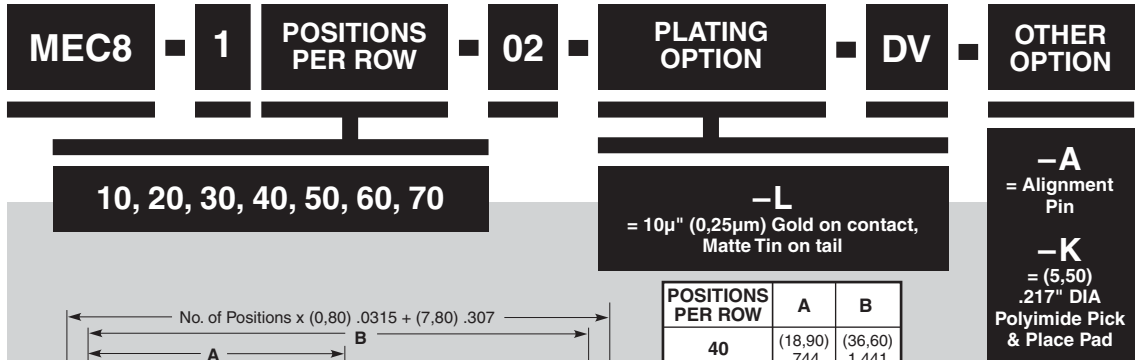


## APPLICATION SPECIFIC OPTION

- 1mm mating card thickness option
- Locking clip
- Call Samtec.

0,80mm MEC8-DV	Rated @ 3dB Insertion Loss
<b>8,65mm Stack Height</b>	
Single-Ended Signaling	7.0 GHz / 14 Gbps
Differential Pair Signaling	7.0 GHz / 14 Gbps

For complete test data go to [www.samtec.com?MEC8-DV](http://www.samtec.com?MEC8-DV) or contact [sig@samtec.com](mailto:sig@samtec.com)



POSITIONS PER ROW	A	B
40	(18,90) .744	(36,60) 1.441
50	(22,90) .902	(44,60) 1.756
60	(26,90) 1.059	(52,60) 2.071
70	(30,90) 1.217	(60,60) 2.386

**Note:** Some sizes, styles and options are non-standard, non-returnable.

Due to technical progress, all designs, specifications and components are subject to change without notice.

**WWW.SAMTEC.COM**

SAMTEC USA • Tel: 1-800-SAMTEC-9 or 812-944-6733    SAMTEC SILICON VALLEY • Tel: 408-395-5900    SAMTEC SOUTHERN CALIFORNIA • Tel: 1-800-726-8329  
 SAMTEC AMERICA LATINA COMERCIO EXTERIOR LTDA • Tel: (+55 31) 3786 3227    SAMTEC UNITED KINGDOM • Tel: 44 01236 739292    SAMTEC GERMANY • Tel: +49 (0) 89 / 89460-0  
 SAMTEC FRANCE • Tel: 33 01 60 95 06 60    SAMTEC ITALY • Tel: 39 039 6890337    SAMTEC NORDIC/BALTIC • Tel: +46-84477280    SAMTEC BENELUX • Tel: 44 01236 739292    SAMTEC ISRAEL • Tel: 972-3-7526600  
 SAMTEC INDIA • Tel: +91-80-3272 1612    SAMTEC ASIA PACIFIC • Tel: 65 6745-5955    SAMTEC JAPAN • Tel: 045-475-1385    SAMTEC CHINA • Tel: 86-21-61103766    SAMTEC TAIWAN • Tel: 886-2-2735-6109  
 SAMTEC HONG KONG • Tel: 852-28904858    SAMTEC KOREA • Tel: 82-31-717-5685    SAMTEC ANZ • Tel: 613 9512 7747    SAMTEC SOUTH AFRICA • Tel: 27 11 452 8112