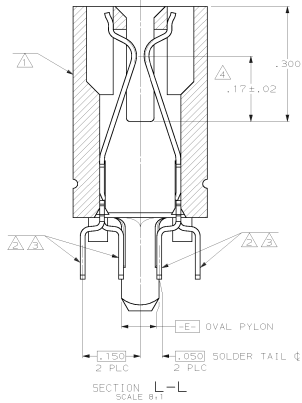
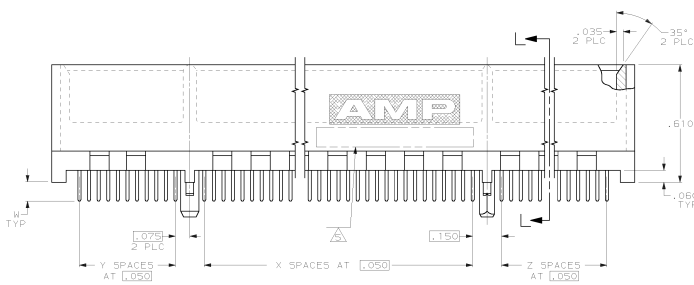
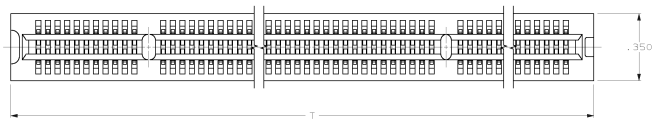
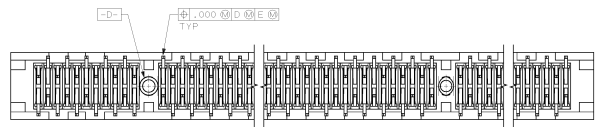


DRAWING MADE IN THROU ANGLE PROJECTION
 THIS DRAWING IS UNPUBLISHED. RELEASED FOR PUBLICATION
 © COPYRIGHT 19 BY AMP INCORPORATED. ALL INTERNATIONAL RIGHTS RESERVED.

REV	ISS	DATE	ZONE	LTN	DESCRIPTION	DATE	APP
AD	14		P		REVISED PER EC 0051-0008-9B	198109	JG



- △ HOUSING, HIGH TEMPERATURE THERMOPLASTIC. COLOR, BROWN.
- △ CONTACT, PHOSPHOR BRONZE.
- △ CONTACT FINISH, .000100 MIN NICKEL ALL OVER, .000030 MIN GOLD OVER NICKEL IN CONTACT AREA, .000100 MIN TIN-LEAD OVER NICKEL ON SOLDER TAILS.
- △ DISTANCE FROM CONTACT POINT TO BOTTOM OF CARD SLOT.
- △ AMP PART NUMBER, DATE CODE AND CSA LOGO MARKED IN APPROXIMATE AREA SHOWN.



SEE SHEET 2 FOR HOLE PATTERNS

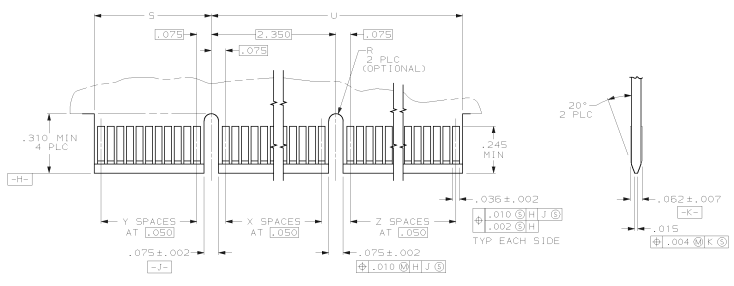
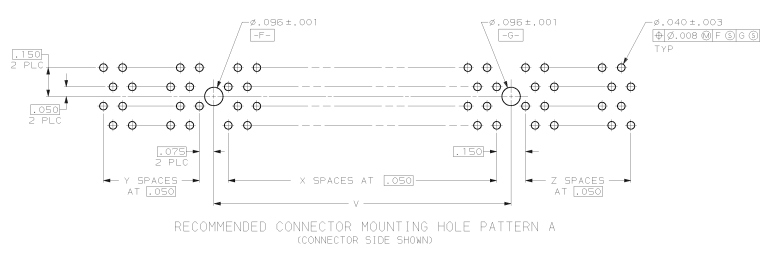
DO NOT SCALE PRINT, UNLESS SPECIFIED DIMENSIONS IN MM (INCHES)	DR 3/23/81 K-1110558/014	AMP Incorporated Harrisburg, PA 17105-9608
OBsolete	A 2,350 3,110 3,94 .610 13 10 44 .14 70	1-650231-G
OBsolete	B 2,100 3,560 5,51 2,150 29 41 35 .12 110	650231-G
OBsolete	A 2,350 5,610 6,44 .610 63 10 44 .14 120	650231-B
OBsolete	C 2,350 4,060 6,44 2,160 32 41 44 .14 120	650231-7
OBsolete	A 2,350 3,110 3,94 .610 13 10 44 .10 70	650231-E
OBsolete	B 2,350 4,060 6,44 2,160 32 41 44 .14 120	650231-4
OBsolete	A 2,350 5,610 6,44 .610 63 10 44 .14 120	650231-2
OBsolete	A 2,350 5,610 6,44 .610 63 10 44 .14 120	650231-I

DO NOT SCALE PRINT, UNLESS SPECIFIED DIMENSIONS IN MM (INCHES)	DR 3/23/81 K-1110558/014	AMP Incorporated Harrisburg, PA 17105-9608
MATERIAL	HOUSING: △ CONTACT: △	NAME CONNECTOR ASSEMBLY, DUAL POSITION, .050 SERIES, STANDARD EDGE
FINISH	CONTACT: △	SIZE D 00779
		DRAWING NO 650231
		SCALE 4:1
		SHEET 1 OF 2

CUSTOMER DRAWING

DRAWING MADE IN TRISID ANGLE PROJECTION
 THIS DRAWING IS UNPUBLISHED. RELEASED FOR PUBLICATION
 © COPYRIGHT 19 BY AMP INCORPORATED. ALL INTERNATIONAL RIGHTS RESERVED.

REVISED				DATE	APP
NO.	BY	DATE	DESCRIPTION		
AD	14		SEE SHEET 1	-	-



DO NOT SCALE PRINT. UNLESS SPECIFIED DIMENSIONS IN mm (INCHES) FRACTIONS 1/16" 3 PLC DEC = .005 INCHES = .25"	DR 3/23/81 K-1140568/014 CHR 7-23-81 M. BURNS APPD 7-23-81 R. THAMMA PRODUCT SPEC 108-14034	AMP Incorporated Harrisburg, PA 17105-3608
MATERIAL HOUSING: CONTACT:	APPLICATOR SPEC 114-25012	NAME CONNECTOR ASSEMBLY, .050 SERIES, STANDARD EDGE
FINISH CONTACT:	RETURN	SIZE D 00779 SCALE 4:1
		BRWING NO 650231 SHEET 2 OF 2

CUSTOMER DRAWING