

0,80mm HI-SPEED SOCKET HSEC8 SERIES

SPECIFICATIONS

For complete specifications see www.samtec.com?HSEC8

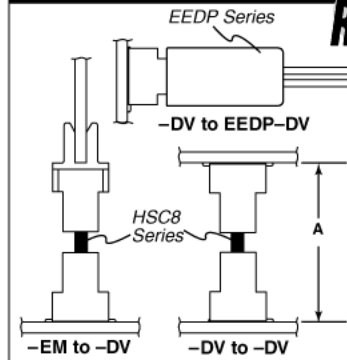
Insulator Material: Black Liquid Crystal Polymer
Contact: BeCu
Plating: Au or Sn over 50µ" (1,27µm) Ni
Current Rating: 3.1A @ 30°C Temperature Rise
Operating Temp: -55°C to +125°C
Card Insertion Depth: (3,15mm) .125" nominal

Mates with:
1,6mm thick cards,
HSC8, EEDP

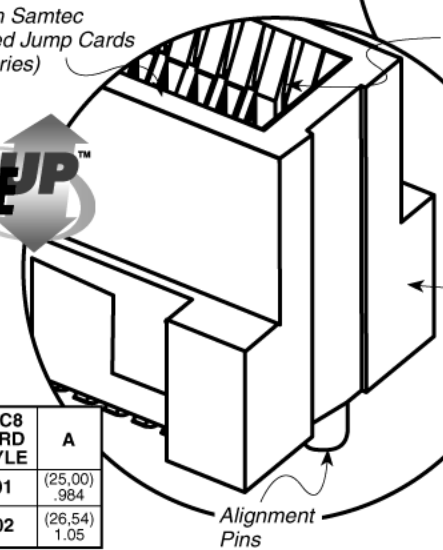
Mates with Samtec
High Speed Jump Cards
(HSC8 Series)

Mates with
(1,60mm) .062" cards

APPLICATIONS



HSEC8 CARD STYLE	A
-01	(25,00) .984
-02	(26,54) 1.05



ALSO AVAILABLE

Polarized mates for EEDP Series twin-ax Cables

CONNECTOR	CABLE
HSEC8-113	EEDP-08
HSEC8-125	EEDP-16
HSEC8-137	EEDP-24
HSEC8-149	EEDP-32

Note: Some lengths, styles and options are non-standard, non-returnable.



10, 20, 30, 40, 50, 60
-01
 = (1,60mm) .062" thick card

-S or -SM
 = 30µ" (0,76µm) Gold on contact, Tin (-S) or Matte Tin (-SM) on tail

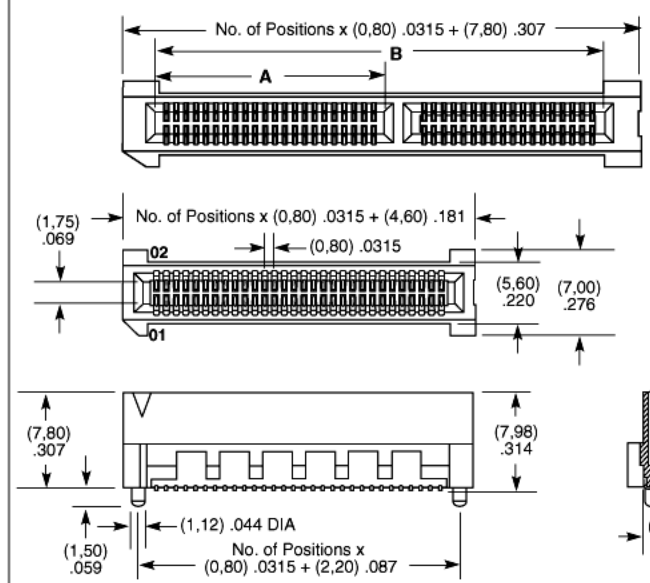
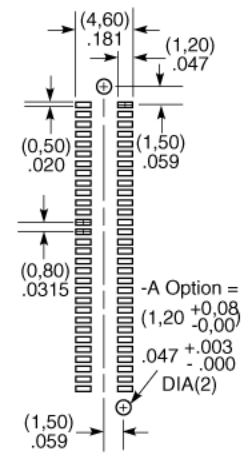
-A
 = Alignment Pin

-K
 = (5,50mm) .217" DIA Polyimide Film Pick & Place Pad

-TR
 = Tape & Reel Packaging

Processing:

Max Processing Temp: 230°C for 60 seconds, or 260°C for 20 seconds 3x with Matte Sn plating
Lead-Free Solderable: Yes, with Matte Sn
SMT Lead Coplanarity: (0,10mm) .004" max (10-60)
Suggested PCB Layouts: For reference only. Please contact Samtec or go to www.samtec.com?HSEC8 for recommended PCB layout.



NO. OF POSITIONS	A	B
40	(18,90) .744	(36,60) 1.441
50	(22,90) .902	(44,60) 1.756
60	(26,90) 1.059	(52,60) 2.071

Due to technical progress, all designs, specifications and components are subject to change without notice.

WWW.SAMTEC.COM

SAMTEC USA • Tel: 1-800-SAMTEC-9 or 812-944-6733 • Fax: 812-948-5047 SAMTEC UK • Tel: 01236 739292 • Fax: 01236 727113 SAMTEC GERMANY • Tel: +49 (0) 89 / 89460-0 • Fax: +49 (0) 89 / 89460-299
 SAMTEC FRANCE • Tel: 01 60 95 06 60 • Fax: 01 60 95 06 61 SAMTEC ITALY • Tel: 39 039 6890337 • Fax: 39 039 6890315 SAMTEC ISRAEL • Tel: 972-3-7526600 • Fax: 972-3-7526690
 SAMTEC SCANDINAVIA • Tel: +46-84477280 • Fax: +46-87420413 SAMTEC ASIA PACIFIC • Tel: 65 6745-5955 • Fax: 65 6841-1502 SAMTEC JAPAN • Tel: 81-424-42-8318 • Fax: 81-424-42-8319
 SAMTEC CHINA • Tel: 86-21-5385-4089 • Fax: 86-21-5385-4047 SAMTEC TAIWAN • Tel: 886 02 2698-3367 • Fax: 886 02 8698-2159 SAMTEC KOREA • Tel: 823-17175685 • Fax: 823-17175684