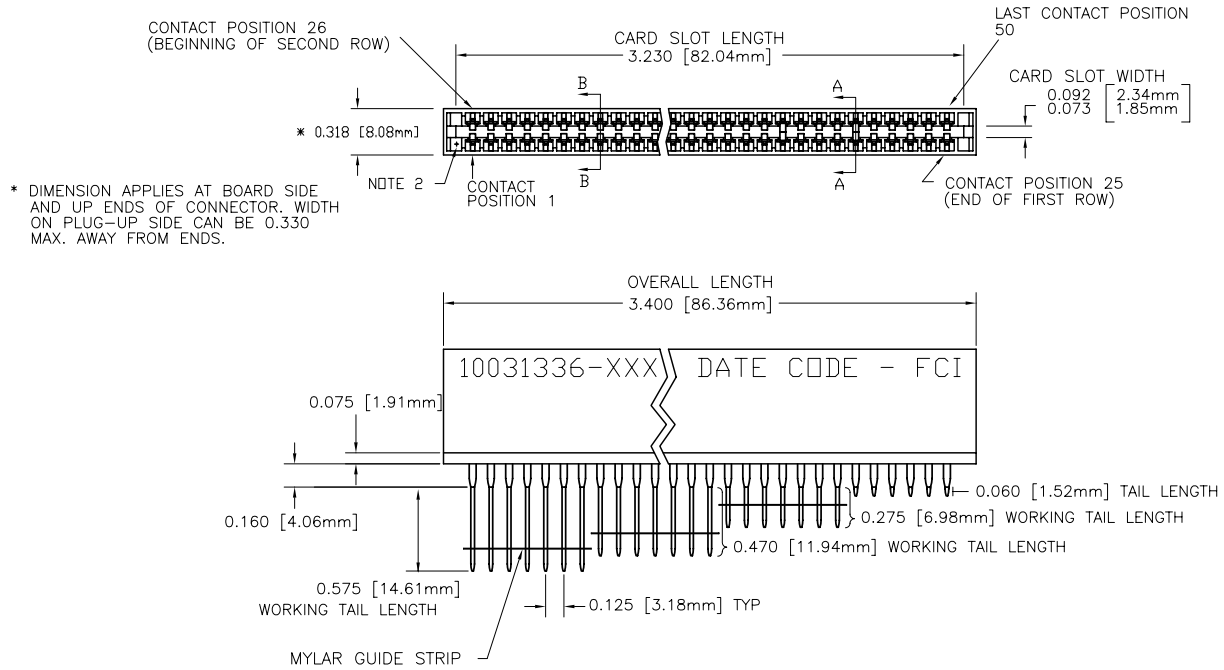


PRODUCT NUMBER
SEE TABLE

PRESS-FIT CONTACTS ON .125" CENTERS



* DIMENSION APPLIES AT BOARD SIDE AND UP ENDS OF CONNECTOR. WIDTH ON PLUG-UP SIDE CAN BE 0.330 MAX. AWAY FROM ENDS.

mat'l. code		SEE NOTE 1		surface	tolerance	projection	product family
lir	ec'n no	dr	date	tolerances unless otherwise specified			FASTECH
H	v07-0314	HTB	2007-04-23	angles	linear	INCH/MM	title
J	v07-0537	HTB	2007-08-10	0°±2°		scale 1:1	SINGLE DENSITY SPECIAL EDGECARD CONNECTOR
D	v04-0360	HTB	2004-04-16	dr	J.R. VOLSTORF	2003-07-14	dwg no
E	v05-0071	HTB	2005-01-26	engr	J.R. VOLSTORF	2003-07-14	sheet 1 of 6
F	v06-0372	HTB	2006-04-18	chr	J.R. VOLSTORF	2003-07-14	size
G	v06-0803	HTB	2006-08-24	appd	J.R. VOLSTORF	2003-07-14	A3
sheet index		revision	J	J	J	J	10031336
sheet		1	2	3	4	5	Product Customer Drawing

PDM: Rev:J STATUS:Released Printed: Aug 22, 2007

PRODUCT NUMBER
SEE TABLE

SINGLE DENSITY EDGE CARD TECHNICAL DATA

CONNECTOR INSTALLATION FORCE: 30 LBS/CONTACT TYPICAL, 65 LBS MAX.
 CONNECTOR RETENTION FORCE: 10 LBS/CONTACT MINIMUM
 CIRCUIT CARD INSERTION FORCE: EARLY AND LATE MAKE CONTACT - 0.5 LBS/CONTACT TYPICAL
 SHORTING CONTACT - 1 LB/CONTACT TYPICAL
 DURABILITY: 200 CYCLES.
 LONG TERM OPERATING TEMPERATURE: -55 to 80 C.
 SHORT TERM OPERATING TEMPERATURE: -55 to 95 C.
 WITHSTANDING VOLTAGE: 1500VAC RMS
 PLATING:
 CONTACT AREA: SEE TABLE, SHEET 2
 UNDERPLATE: 100µ" Ni (MIN.)
 TAIL PLATING: SEE TABLE, SHEET 2
 CONTACT NORMAL FORCE: 100 GRAMS MINIMUM.
 CONTACT RESISTANCE: 9 MILLIOHMS TYPICAL.
 MAX CONTACT CURRENT: 1.0 AMPS PER CONTACT.

NOTES:

1. INSULATOR MATERIAL: PPA, GLASS FILLED THERMOPLASTIC, FLAME RETARDANT PER UL94 V-0, COLOR: BLACK
CONTACT MATERIAL: C72500 COPPER ALLOY
2. INDICATES PARTS WILL HAVE A + SYMBOL PRINTED IN THIS LOCATION.
3. PART NUMBERS WITH AN LF SUFFIX MEET EUROPEAN UNION DIRECTIVES AND OTHER COUNTRY REGULATIONS AS DESCRIBED IN GS-22-008.

mat'l. code SEE NOTE 1		surface	tolerance	projection	product family
itr	ecrn no	dr	date	tolerances unless otherwise specified	FASTTECH
J				angles linear	title
				0°±2°	SINGLE DENSITY SPECIAL EDGE CARD CONNECTOR
				XX±01/XX±3	dwg no
				XXX±005/XXX±9	sheet 2 of 6
				XXXX±0020/XXXX±051	size
				dr J.R. VOLSTORF 2003-07-14	10031336
				engr J.R. VOLSTORF 2003-07-14	A3
				chr J.R. VOLSTORF 2003-07-14	type
				appd J.R. VOLSTORF 2003-07-14	Product Customer Drawing
sheet index	revision sheet				

PART NUMBER NOTE 3	SIZE	EARLY	SHORTING	TAIL LENGTH	CONTACT PLATING	TAIL PLATING	EARLY MAKE POSITIONS	LATE MAKE POSITIONS	SHORTING POSITIONS	SPECIAL MARKING	FCI INSERTION TOOL
10031336-001	50	50	-	.060/1.52	75μ [1.91μm] Au	SnPb	1-50	-	-	-	413697-001
10031336-001LF	50	50	-	.060/1.52	75μ [1.91μm] Au	TIN	1-50	-	-	-	413697-001
DISCONTINUED											
10031336-002	50	34	16	.060/1.52	75μ [1.91μm] Au	SnPb	1-4, 13-29, 38-50	-	5-12, 30-37	NOTE 2	413697-001
10031336-003LF	50	34	16	.060/1.52	75μ [1.91μm] Au	TIN	1-4, 13-29, 38-50	-	5-12, 30-37	NOTE 2	413697-001
10031336-004LF	50	50	-	.060/1.52	30μ [0.76μm] Au	TIN	1-50	-	-	-	413697-001
10031336-005LF	50	34	16	.060/1.52	30μ [0.76μm] Au	TIN	1-4, 13-29, 38-50	-	5-12, 30-37	NOTE 2	413697-001
10031336-006	50	50	-	.060/1.52	30μ [0.76μm] GXT	SnPb	1-50	-	-	-	413697-001
10031336-006LF	50	50	-	.060/1.52	30μ [0.76μm] GXT	TIN	1-50	-	-	-	413697-001
10031336-007	50	34	16	.060/1.52	30μ [0.76μm] GXT	SnPb	1-4, 13-29, 38-50	-	5-12, 30-37	NOTE 2	413697-001
10031336-007LF	50	34	16	.060/1.52	30μ [0.76μm] GXT	TIN	1-4, 13-29, 38-50	-	5-12, 30-37	NOTE 2	413697-001

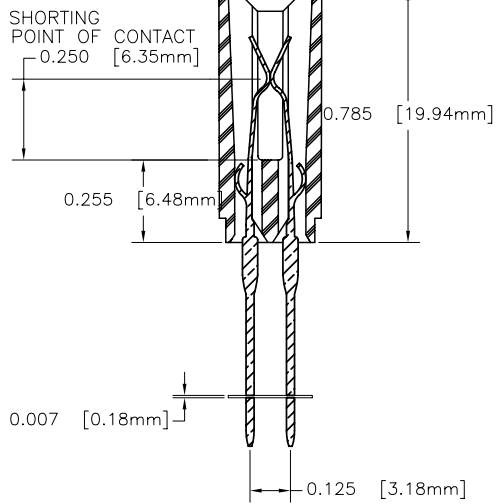


Copyright FCI

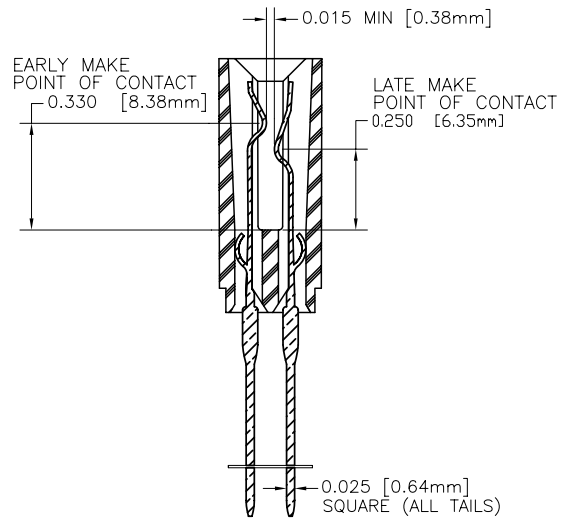
mat'l code SEE NOTE 1	surface tolerance	projection	product family FASTECH
tr ecn no dr date	tolerances unless otherwise specified	INCH/MM	title SINGLE DENSITY SPECIAL EDGE CARD CONNECTOR
J	angles linear	scale 1:1	dwg no 10031336 sheet 3 of 6 size A3
	0°±2°	FCI	type Product Customer Drawing
dr J.R. VOLSTORF 2003-07-14	engr J.R. VOLSTORF 2003-07-14		
chr J.R. VOLSTORF 2003-07-14	appd J.R. VOLSTORF 2003-07-14		
sheet index	revision sheet		

PDM: Rev:J STATUS:Released Printed: Aug 22, 2007

PRODUCT NUMBER
SEE TABLE



SHORTING CONTACTS
SECTION A-A

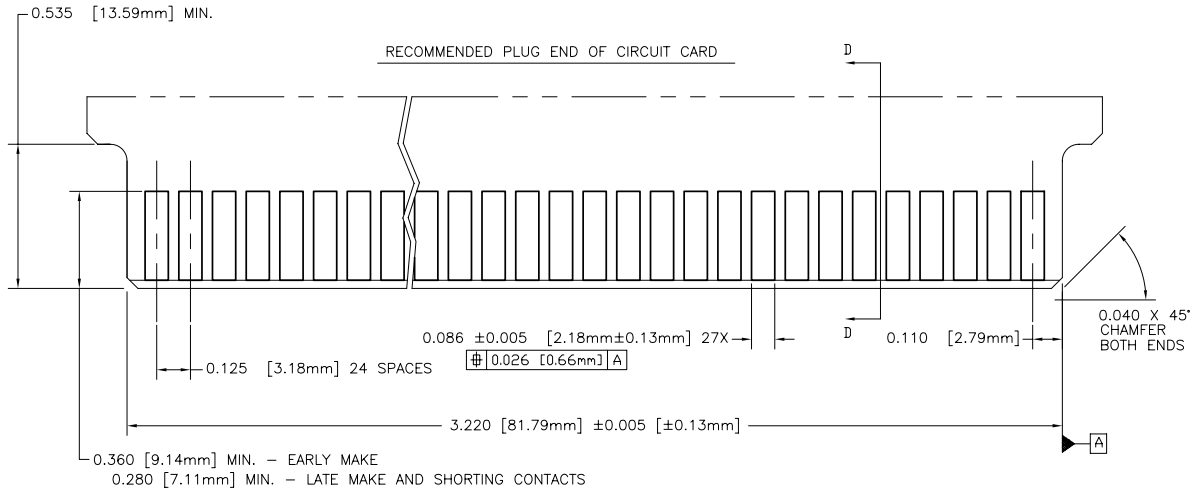


EARLY AND LATE MAKE CONTACTS
SECTION B-B

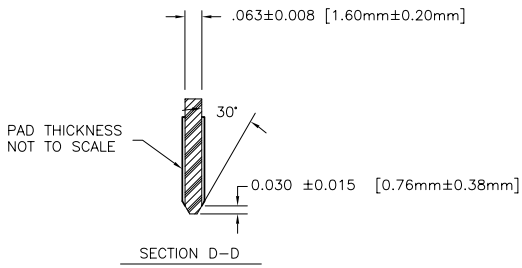
mat'l. code SEE NOTE 1		surface	tolerance	projection	product family
tr	ecrn no	dr	date	tolerances unless otherwise specified	FASTTECH
J				angles	title
				linear	SINGLE DENSITY SPECIAL EDGE CARD CONNECTOR
				0°±2°	dwg no
				dr J.R. VOLSTORF 2003-07-14	sheet 4 of 6
				engr J.R. VOLSTORF 2003-07-14	size
				chr J.R. VOLSTORF 2003-07-14	10031336
				appd J.R. VOLSTORF 2003-07-14	A3
sheet	revision			scale 1:1	type
index	sheet			FCJ	Product Customer Drawing

PDM: Rev:J STATUS:Released Printed: Aug 22, 2007

PRODUCT NUMBER
SEE TABLE



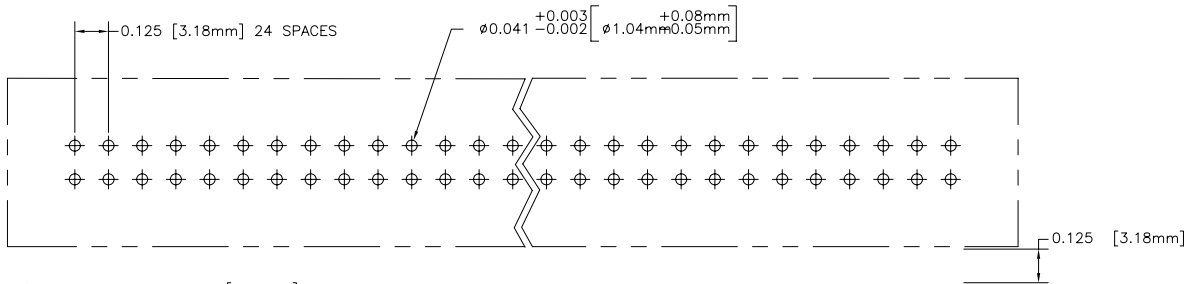
RECOMMENDED CIRCUIT CARD PLATING: 25u" (MIN.) COBALT HARDENED GOLD OVER 200u" (MIN.) NICKEL.



mat'l. code	SEE NOTE 1	surface	tolerance	projection	product family
tr. ecn no	dr. date	tolerances unless otherwise specified			FASTECH
J		angles	linear	INCH/MM	title
		0°±2°	XXX±01/XX±3	scale 1:1	SINGLE DENSITY SPECIAL EDGE CARD CONNECTOR
			XXX±005/XXX±9		dwg no
		dr. J.R. VOLSTORF	XXX±0020/XXX±051		sheet 5 of 6
		engr. J.R. VOLSTORF			size
		chr. J.R. VOLSTORF			10031336
		appd. J.R. VOLSTORF			A3
sheet index	revision sheet				type Product Customer Drawing

PRODUCT NUMBER
SEE TABLE

RECOMMENDED BACKPLANE HOLE LAYOUT



RECOMMENDED DRILL: .0465 [1.18mm]
BACKPLANE THICKNESS: .086 [2.18mm] MINIMUM.

mat'l. code SEE NOTE 1		surface	tolerance	projection	product family
tr	ecm no	dr	date	tolerances unless otherwise specified	FASTTECH
J				angles	title
				linear	SINGLE DENSITY SPECIAL EDGE CARD CONNECTOR
				0°±2°	dwg no
				dr J.R. VOLSTORF 2003-07-14	10031336
				engr J.R. VOLSTORF 2003-07-14	sheet 6 of 6
				chr J.R. VOLSTORF 2003-07-14	size
				appd J.R. VOLSTORF 2003-07-14	A3
sheet	revision			scale 1:1	type
index	sheet			FCJ	Product Customer Drawing

PDM: Rev:J STATUS:Released Printed: Aug 22, 2007