

(0,80mm) .0315"

MEC8-RA, MEC8-EM SERIES

RIGHT ANGLE/EDGE MOUNT SOCKETS

Mates with:
(1,60mm) .062" thick cards,
EEDP

SPECIFICATIONS

For complete specifications and recommended PCB layouts see www.samtec.com?MEC8-RA

Insulator Material: Black LCP
Contact Material: Phosphor Bronze

Plating: Au or Sn over 50µ" (1,27µm) Ni

Operating Temp Range: -55°C to +125°C

Insertion Depth: (3,94mm) .155" to (6,25mm) .246"

Current Rating: 1.8A @ 30°C Temperature Rise

Voltage Rating: 265 VAC

RoHS Compliant: Yes

Lead-Free Solderable: Yes

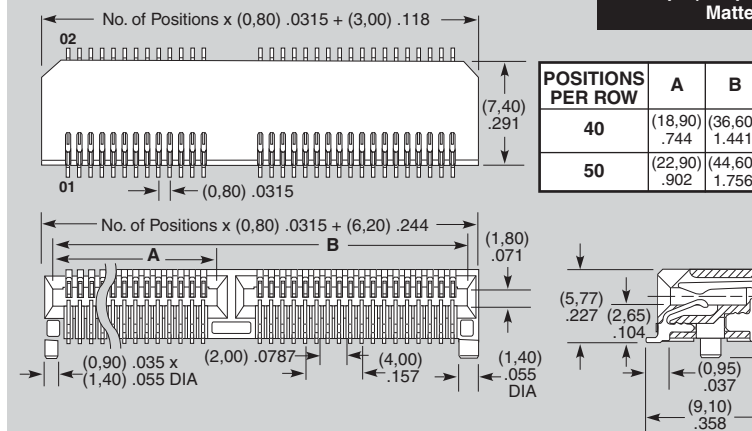
Note: Some sizes, styles and options are non-standard, non-returnable.

MEC8 - **1** POSITIONS PER ROW - **02** PLATING OPTION - **D** - **RA1** - OTHER OPTION

10, 13, 20, 25, 30, 37, 40, 49, 50

-L
= 10µ" (0,25µm) Gold on contact, Matte Tin on tail

-TR
= Tape & Reel Packaging



POSITIONS PER ROW	A	B
40	(18,90) .744	(36,60) 1.441
50	(22,90) .902	(44,60) 1.756

0,80mm MEC8-RA	Rated @ 3dB Insertion Loss
5,78mm Stack Height	
Single-Ended Signaling	6.5 GHz / 13 Gbps
Differential Pair Signaling	8.0 GHz / 16 Gbps

For complete test data go to www.samtec.com?MEC8-RA or contact sig@samtec.com

APPLICATION SPECIFIC OPTION

- 1mm mating card thickness option
 - Latching option (mates with EEDP series)
- Call Samtec.

Mates with:
(1,60mm) .062" thick cards

SPECIFICATIONS

For complete specifications and recommended PCB layouts see www.samtec.com?MEC8-EM

Insulator Material: Black LCP
Contact Material: Phosphor Bronze

Plating: Au or Sn over 50µ" (1,27µm) Ni

Operating Temp Range: -55°C to +125°C

Insertion Depth: (4,32mm) .170" to (5,66mm) .223"

Current Rating: 1.8A @ 30°C Temperature Rise

Voltage Rating: 265 VAC

RoHS Compliant: Yes

Lead-Free Solderable: Yes

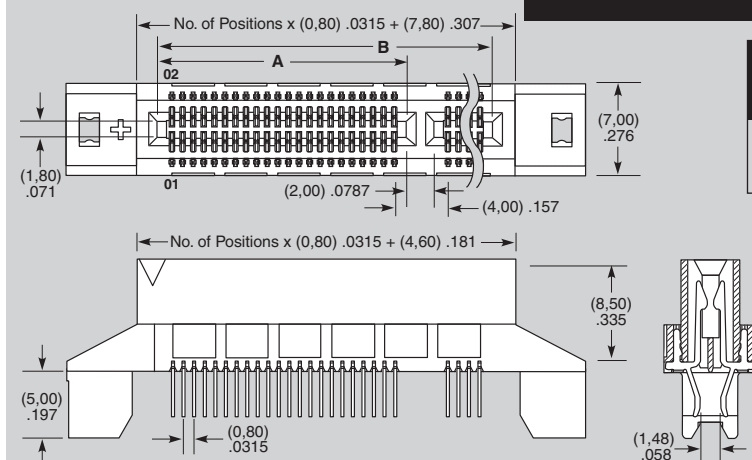
Note: Some sizes, styles and options are non-standard, non-returnable.

MEC8 - **1** POSITIONS PER ROW - **02** PLATING OPTION - **D** - **-EM2**

10, 20, 30, 40, 50, 60, 70

-L
= 10µ" (0,25µm) Gold on contact, Matte Tin on tail

-EM2
= (1,60mm) .062" thick PCB



APPLICATION SPECIFIC OPTION

1mm mating card thickness option.
Call Samtec.

POSITIONS PER ROW	A	B
40	(18,90) .744	(36,60) 1.441
50	(22,90) .902	(44,60) 1.756
60	(26,90) 1.059	(52,60) 2.071
70	(30,90) 1.217	(60,60) 2.386

Due to technical progress, all designs, specifications and components are subject to change without notice.

WWW.SAMTEC.COM