

# samtec

(0,80mm) .0315"

MEC8-DV SERIES

MEC8-120-02-L-DV-A

MEC8-110-02-L-DV-A

MEC8-140-02-L-DV-A

# MINI EDGE CARD VERTICAL SOCKET

## SPECIFICATIONS

For complete specifications and recommended PCB layouts see [www.samtec.com?MEC8-DV](http://www.samtec.com?MEC8-DV)

### Insulator Material:

Black LCP

### Contact Material:

Phosphor Bronze

### Plating:

Au or Sn over 50µ" (1,27µm) Ni

### Operating Temp Range:

-55°C to +125°C

### Insertion Depth:

(4,22mm) .166" to

(5,66mm) .223"

### Current Rating:

1.8A @ 30°C Temperature Rise

### Voltage Rating:

265 VAC

### RoHS Compliant:

Yes

### Processing:

Lead-Free Solderable:

Yes

### SMT Lead Coplanarity:

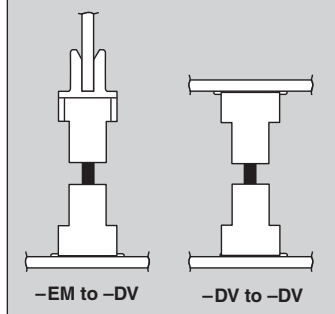
(0,10mm) .004" max (10-50)

(0,15mm) .006" max (60-70)

### Mates with:

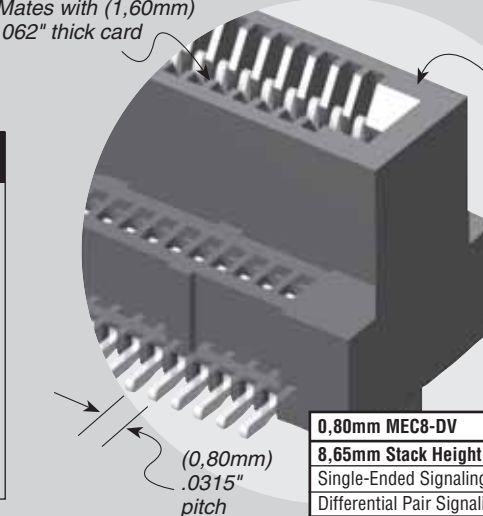
(1,60mm) .062" thick cards

## APPLICATIONS



Mates with (1,60mm)  
.062" thick card

Variety of  
lead counts



## APPLICATION SPECIFIC OPTION

- 1mm mating card thickness option
  - Locking clip
- Call Samtec.

0,80mm MEC8-DV	Rated @ 3dB Insertion Loss
8,65mm Stack Height	
Single-Ended Signaling	7.0 GHz / 14 Gbps
Differential Pair Signaling	7.0 GHz / 14 Gbps

For complete test data go to [www.samtec.com?MEC8-DV](http://www.samtec.com?MEC8-DV) or contact [sig@samtec.com](mailto:sig@samtec.com)

MEC8

1

POSITIONS  
PER ROW

02

PLATING  
OPTION

DV

OTHER  
OPTION

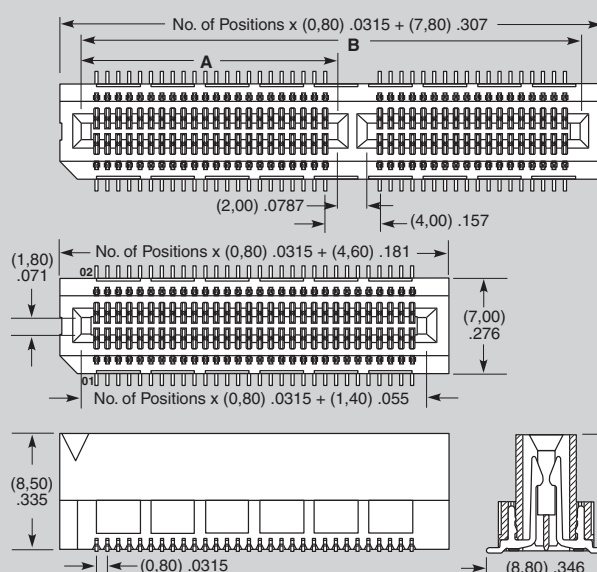
10, 20, 30, 40, 50, 60, 70

-L

= 10µ" (0,25µm) Gold on contact,  
Matte Tin on tail

-A  
= Alignment  
Pin

-K  
= (5,50)  
.217" DIA  
Polyimide Pick  
& Place Pad



POSITIONS PER ROW	A	B
40	(18,90) .744	(36,60) 1.441
50	(22,90) .902	(44,60) 1.756
60	(26,90) 1.059	(52,60) 2.071
70	(30,90) 1.217	(60,60) 2.386

**Note:** Some sizes, styles and options are non-standard, non-returnable.

Due to technical progress, all designs, specifications and components are subject to change without notice.

**WWW.SAMTEC.COM**

SAMTEC USA • Tel: 1-800-SAMTEC-9 or 812-944-6733 SAMTEC SILICON VALLEY • Tel: 408-395-5900 SAMTEC SOUTHERN CALIFORNIA • Tel: 1-800-726-8329  
 SAMTEC AMERICA LATINA COMERCIO EXTERIOR LTDA • Tel: (+55 31) 3786 3227 SAMTEC UNITED KINGDOM • Tel: 44 01236 739292 SAMTEC GERMANY • Tel: +49 (0) 89 / 89460-0  
 SAMTEC FRANCE • Tel: 33 01 60 95 06 60 SAMTEC ITALY • Tel: 39 039 6890337 SAMTEC NORDIC/BALTIC • Tel: +46-84477280 SAMTEC BENELUX • Tel: 44 01236 739292 SAMTEC ISRAEL • Tel: 972-3-7526600  
 SAMTEC INDIA • Tel: +91-80-3272 1612 SAMTEC ASIA PACIFIC • Tel: 65 6745-5955 SAMTEC JAPAN • Tel: 045-475-1385 SAMTEC CHINA • Tel: 86-21-61103766 SAMTEC TAIWAN • Tel: 886-2-2735-6109  
 SAMTEC HONG KONG • Tel: 852-2804858 SAMTEC KOREA • Tel: 82-31-717-5685 SAMTEC ANZ • Tel: 613 9512 7747 SAMTEC SOUTH AFRICA • Tel: 27 11 452 8112