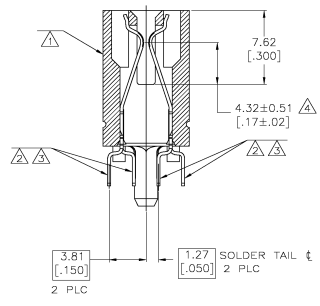
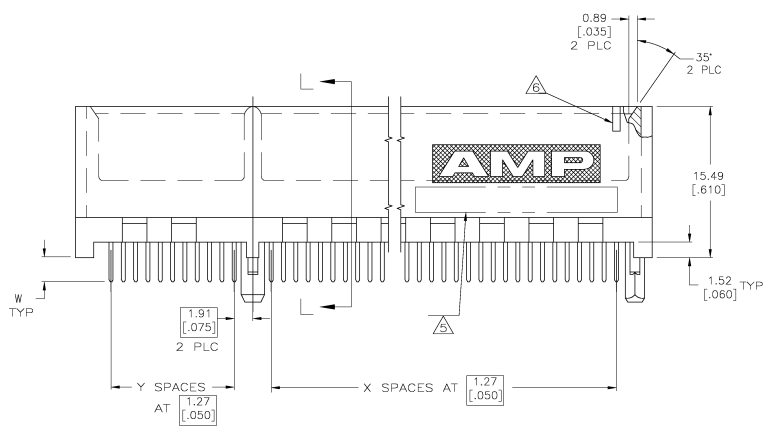
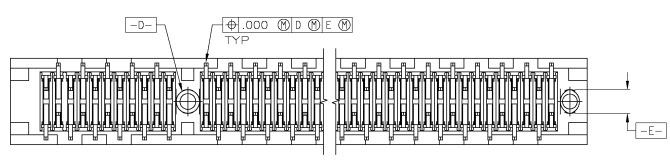


- △ HOUSING: HIGH TEMPERATURE THERMOPLASTIC. COLOR: BROWN.
- △ CONTACT: PHOSPHOR BRONZE.
- △ CONTACT FINISH: .000100 MIN NICKEL ALL OVER.  
.000030 MIN GOLD OVER NICKEL IN CONTACT AREA.  
.000100 MIN MATTE TIN OVER NICKEL ON SOLDER TAILS.
- △ DISTANCE FROM CONTACT POINT TO BOTTOM OF CARD SLOT.
- △ AMP PART NUMBER, DATE CODE AND CSA LOGO MARKED IN APPROXIMATE AREA SHOWN.
- △ PIN ONE IDENTIFIER NOTCH ONLY ON PART NUMBERS INDICATED.



SECTION L-L  
SCALE 8:1



SEE SHEET 2 FOR HOLE PATTERNS

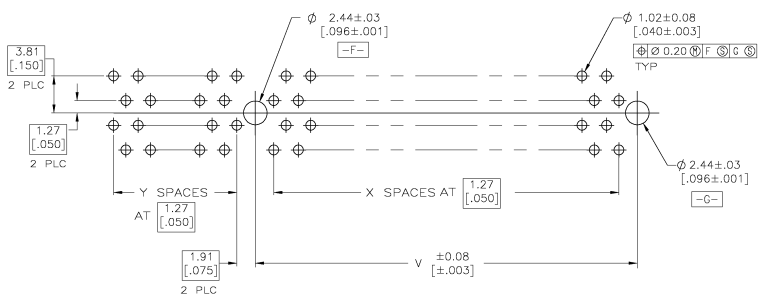
3.18 [0.125]	NO	B	45.72 [1.800]	44.70 [1.760]	65.79 [2.59]	15.49 [0.610]	10	33	45	1-5650090-4
3.56 [0.140]	NO	A	38.67 [1.520]	25.85 [1.010]	46.74 [1.84]	15.49 [0.610]	10	18	30	1-5650090-2
3.56 [0.140]	NO	C	55.88 [2.200]	54.86 [2.160]	110.24 [4.34]	49.78 [1.960]	37	41	80	1-5650090-1
2.54 [0.100]	NO	C	55.88 [2.200]	54.86 [2.160]	110.24 [4.34]	49.78 [1.960]	37	41	80	5650090-9
2.54 [0.100]	NO	B	17.78 [0.700]	16.76 [0.660]	37.85 [1.49]	15.49 [0.610]	10	11	23	5650090-7
2.54 [0.100]	NO	A	38.67 [1.520]	25.85 [1.010]	46.74 [1.84]	15.49 [0.610]	10	18	30	5650090-6
2.54 [0.100]	NO	A	39.37 [1.550]	38.35 [1.510]	59.44 [2.34]	15.49 [0.610]	10	28	40	5650090-3
2.54 [0.100]	NO	B	45.72 [1.800]	44.70 [1.760]	65.79 [2.59]	15.49 [0.610]	10	33	45	5650090-2
2.54 [0.100]	YES	A	59.69 [2.350]	58.67 [2.310]	79.76 [3.14]	15.49 [0.610]	10	44	56	5650090-1

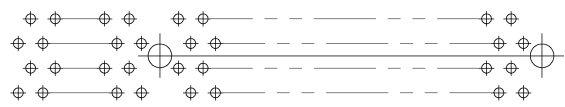
W	PIN ONE IDENTIFIER PATTERN	NOLE	V	U	T	S	Y	X	NO OF DUAL POSN	PART NUMBER

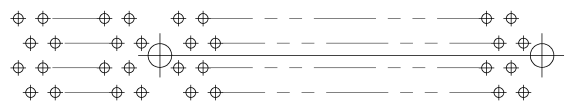
THIS DRAWING IS A CONTROLLED DOCUMENT:		DATE: 24 JUN 88	BY: FRANKLIN	FOR: ELECTRONIC CORPORATION
DESIGNER: [Signature]	APPROVED: [Signature]	DATE: 24 JUN 88	BY: FRANKLIN	FOR: ELECTRONIC CORPORATION
PROJECT SIZE: 10B-14034	CONTRACTOR: ELECTRONIC CORPORATION	PROJECT NO: 114-26012	DATE CODE: 8806	DRAWING NO: 5650090
MATERIAL: [Symbol]	FINISH: [Symbol]	WEIGHT: [Symbol]	SEE: [Symbol]	RESTRICTED TO: [Symbol]
CUSTOMER DRAWING		SCALE: 5:1	SHEET: 1	TOTAL SHEETS: 2



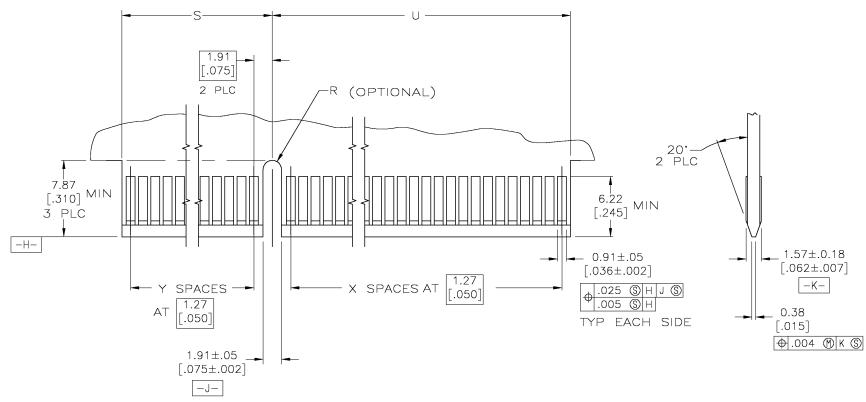
RECOMMENDED CONNECTOR MOUNTING HOLE PATTERN A  
 (CONNECTOR SIDE SHOWN)



RECOMMENDED CONNECTOR MOUNTING HOLE PATTERN B  
 (CONNECTOR SIDE SHOWN)



RECOMMENDED CONNECTOR MOUNTING HOLE PATTERN C



RECOMMENDED MATING BOARD EDGE CONFIGURATION  
 (CONNECTOR SIDE SHOWN)

THIS DRAWING IS A CONTROLLED DOCUMENT.		DATE: 24 JUN 83	BY: J.F.BANTUM	CHK: J.F.BANTUM	APP: J.F.BANTUM	REV: 00	DESCRIPTION: CONNECTOR ASSEMBLY, DUAL POSITION, 020 SERIES
UNITS: mm	SYMBOLS: UNLESS OTHERWISE SPECIFIED	PROJECT: 108-14034	WORK CENTER: 114-26012	WEIGHT: ---	SEE: SAC 008	DRAWING NO: A100779	QTY: 5650090
WORKING: SEE SHEET 1	PROFIT: SEE SHEET 1	CUSTOMER DRAWING	SCALE: 5:1	SHEET: 2	TOTAL: 2	REV: 0	RESTRICTED TO: ---